

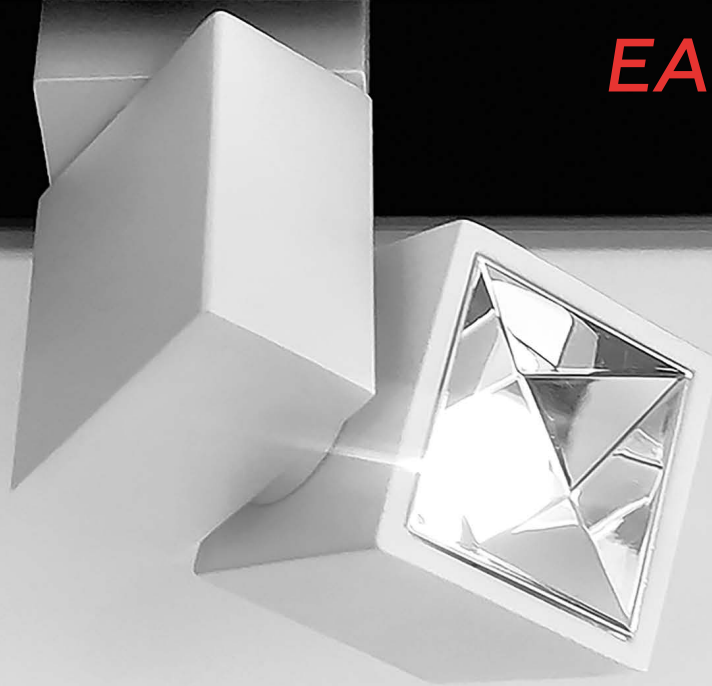
VECTA[®]

design

STRETCH CEILING SYSTEMS

EASY
LIGHT

Developed by *Vecta Design*



MAGNETIC TRACK LIGHT

WW and NW



MAGNETIC SNAP MOUNTING



All
luminaires
are equipped with a magnetic
adapter. This eliminates the need
for additional installation tools,
giving you the freedom to adjust
position and rotation at any time.
It takes only seconds and one
simple movement of the hand
to remove the light.

LIGHT TEMPERATURE CCT

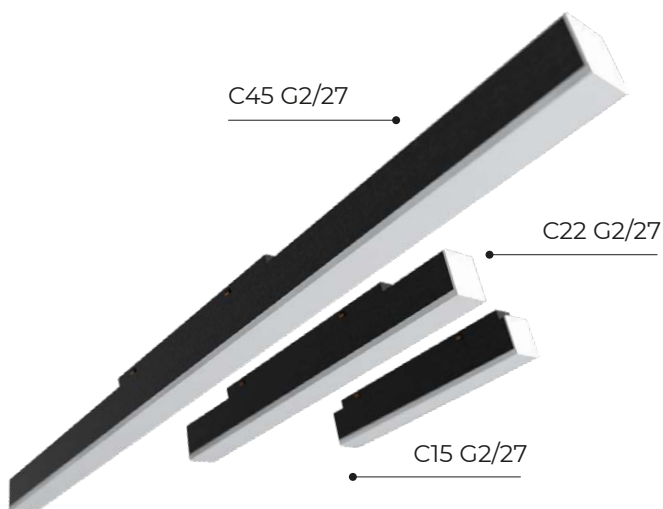


Warm White (WW)
3000 K

Neutral White (NW)
4000 K



Choose between a warm or neutral color or prefer lamps that has a switch to change the color temperature of the light at any time. The lights are available in WW 3000K and NW 4000K light colors. Also adjustable modules with CCT from 2700K to 6000K.



Light effect

- LED LINEAR LIGHT MODULAR
PHILIPS 2835 LED

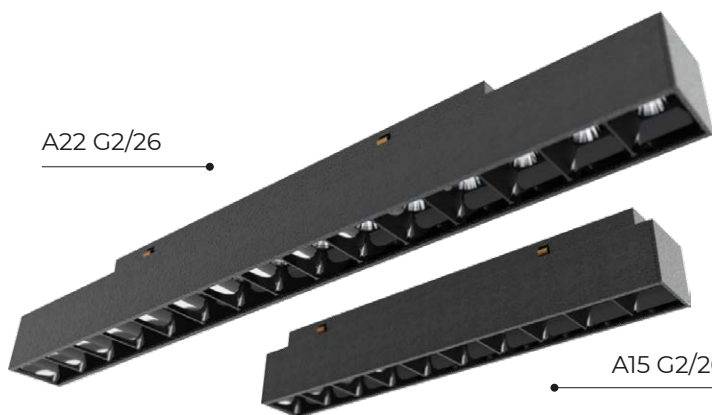
C15 G2/27 | C22 G2/27 | C45 G2/27

POWER	15W	22W	45W
LUMEN OUTPUT	1200 lm	1760 lm	3600 lm
DIMENSION	266 mm	396 mm	796 mm
CRI	> 90		
CCT	WW 3000K / NW 4000K		
INPUT	DC 24V		
MATERIALS	Aluminum + Acrylic		
COLOR	Sandy black finish color body		
BEAM ANGLE	120°		

IP 20
120°
Dimmable
3000K WW
4000K NW




A22 G2/26



A15 G2/26

Anti-Glare

- LED LINEAR LIGHT MODULAR
PHILIPS 3030 LED

A15 G2/26 | A22 G2/26

POWER	15W	22W
LUMEN OUTPUT	1200 lm	1760 lm
DIMENSION	269 mm	401,5 mm
CRI	> 90	
CCT	WW 3000K / NW 4000K	
INPUT	DC 24V	
MATERIALS	Aluminum + PMMA	
COLOR	Sandy black finish color body	
BEAM ANGLE	30°	

IP 20

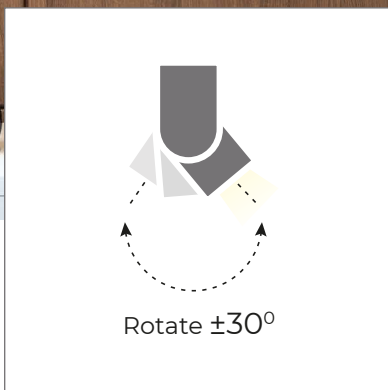
30°

Dimmable

3000K
WW

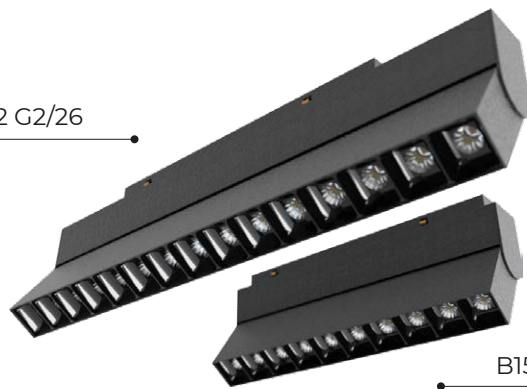
4000K
NW





Light effect

B22 G2/26



B15 G2/26

Anti-Glare

- LED LINEAR LIGHT MODULAR
PHILIPS 3030 LED

B15 G2/26 | B22 G2/26

POWER	15W	22W
LUMEN OUTPUT	1200 lm	1760 lm
DIMENSION	269 mm	401,5 mm
CRI	> 90	
CCT	WW 3000K / NW 4000K	
INPUT	DC 24V	
MATERIALS	Aluminum + PMMA	
COLOR	Sandy black finish color body	
BEAM ANGLE	30°	

IP 20

30°

Dimmable

3000K
WW

4000K
NW

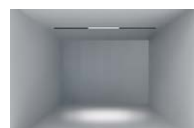
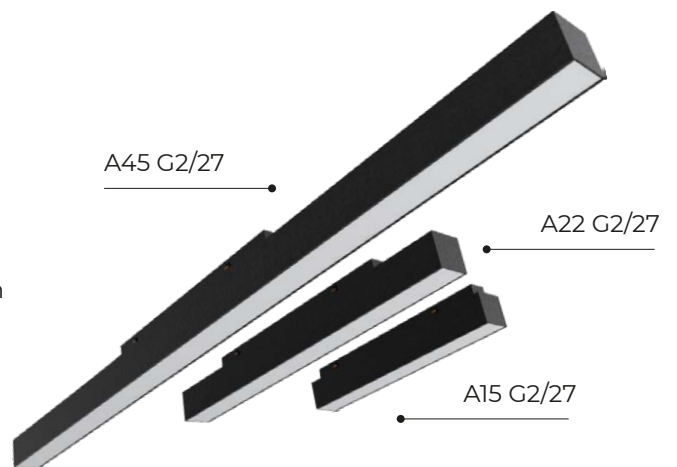




▪ LED LINEAR LIGHT MODULAR
PHILIPS 2835 LED

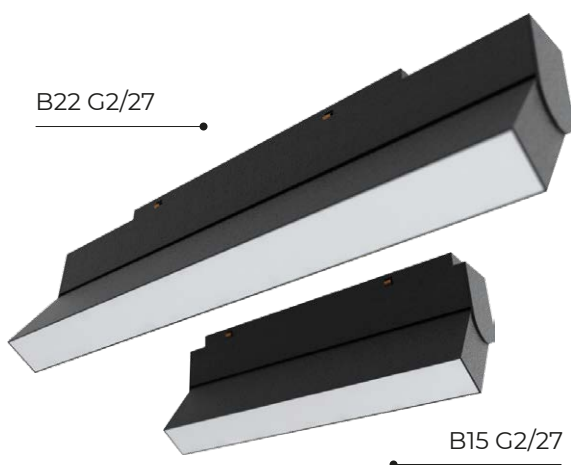
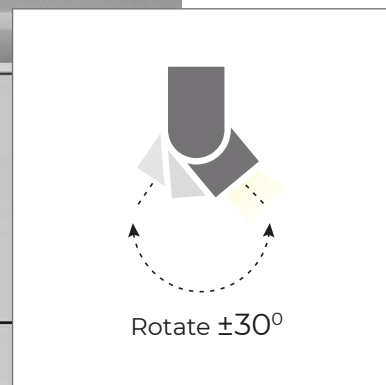
A15 G2/27 | A22 G2/27 | A45 G2/27

POWER	15W	22W	45W
LUMEN OUTPUT	1200 lm	1760 lm	3600 lm
DIMENSION	269 mm	401,5 mm	799 mm
CRI	> 90		
CCT	WW 3000K / NW 4000K		
INPUT	DC 24V		
MATERIALS	Aluminum + PMMA		
COLOR	Sandy black finish color body		
BEAM ANGLE	120°		



Light effect

IP 20
120°
Dimmable
3000K WW
4000K NW



- LED LINEAR LIGHT MODULAR
PHILIPS 2835 LED

B15 G2/27 | B22 G2/27

POWER	15W	22W
LUMEN OUTPUT	1200 lm	1760 lm
DIMENSION	269 mm	401,5 mm
CRI	> 90	
CCT	WW 3000K / NW 4000K	
INPUT	DC 24V	
MATERIALS	Aluminum + PC	
COLOR	Sandy black finish color body	
BEAM ANGLE	120°	

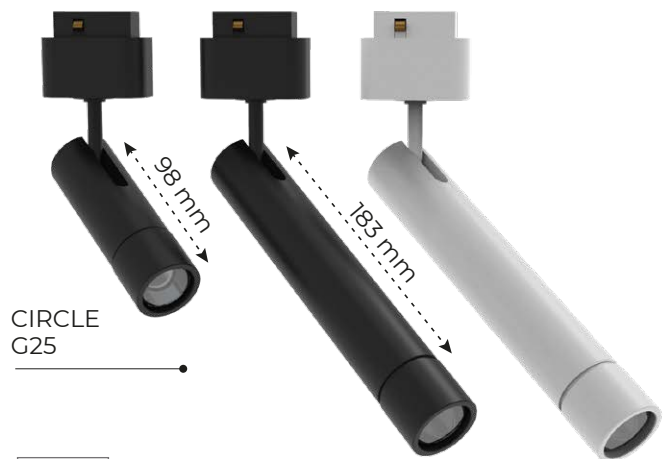


Light effect

IP 20
120°
Dimmable
3000K WW
4000K NW



CIRCLE
G215 B/W



CIRCLE
G25

Anti-Glare

- LED SPOT LIGHT MODULAR
COB CHIP

CIRCLE G25 | G215 B / W

POWER	5W	15W
LUMEN OUTPUT	400 lm	1200 lm
DIMENSION	98 mm	183 mm
CRI	> 90	
CCT	WW 3000K / NW 4000K	
INPUT	DC 24V	
MATERIALS	Aluminum body	
COLOR	Sandy black finish color body	
BEAM ANGLE	35 - 45°hh	



90° up and down
adjustment angle

IP 20
35-45°
Non-dimmable
Dimmable
3000K WW
4000K NW



Light effect



- LED SPOT LIGHT MODULAR
COB CHIP

MSA 5

POWER	5W
LUMEN OUTPUT	400 lm
DIMENSION	107,5 mm
CRI	> 90
CCT	WW 3000K / NW 4000K
INPUT	DC 24V
MATERIALS	Aluminum body
COLOR	Sandy black finish color body
BEAM ANGLE	35 - 45°

IP 20

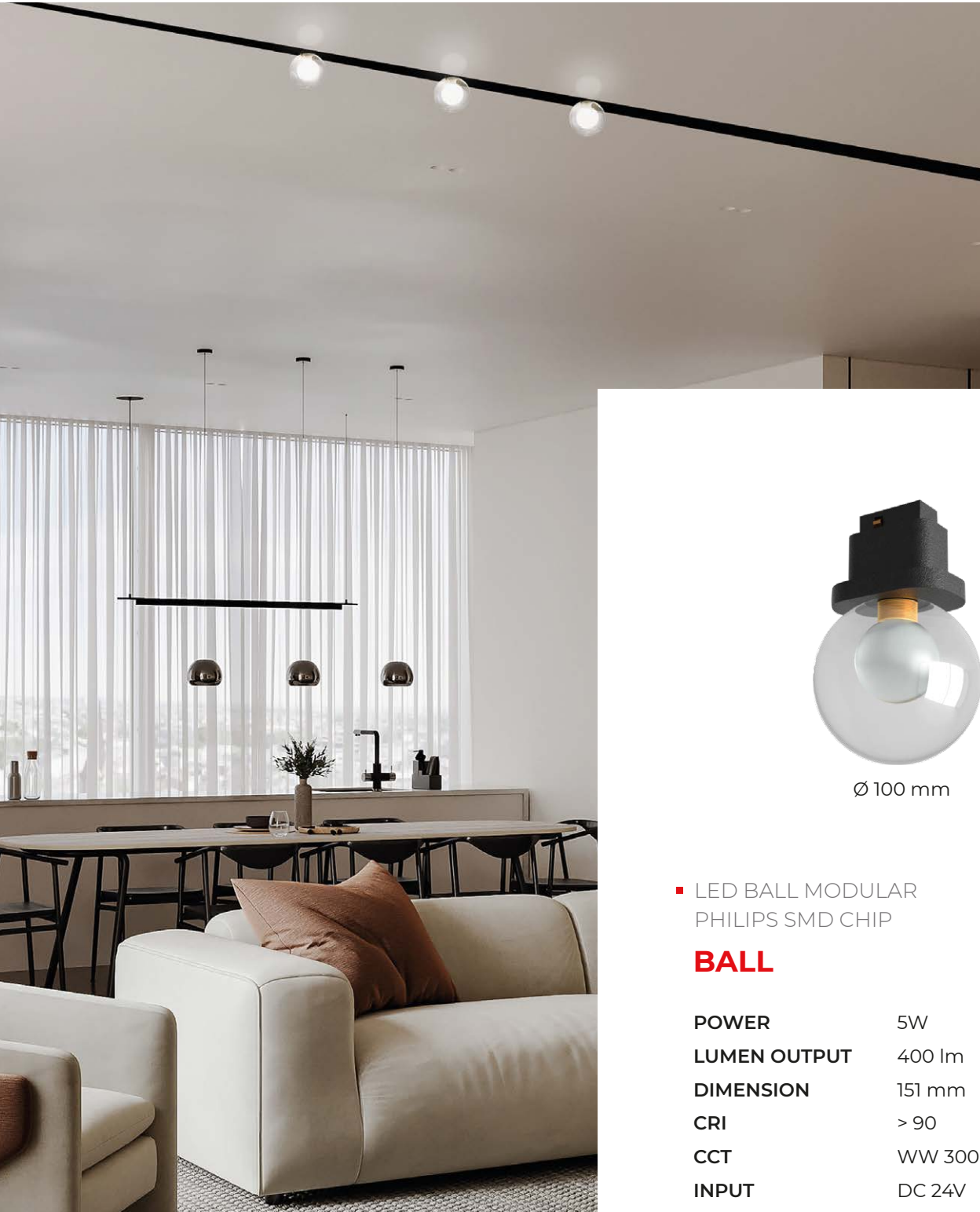
35-45°

Dimmable

3000K
WW

4000K
NW





Ø 100 mm

- LED BALL MODULAR
PHILIPS SMD CHIP

BALL

POWER	5W
LUMEN OUTPUT	400 lm
DIMENSION	151 mm
CRI	> 90
CCT	WW 3000K / NW 4000K
INPUT	DC 24V
MATERIALS	Glass body
COLOR	Sandy black finish color body
BEAM ANGLE	120°

Light effect



IP 20

120°

Non-dimmable

3000K
WW

4000K
NW





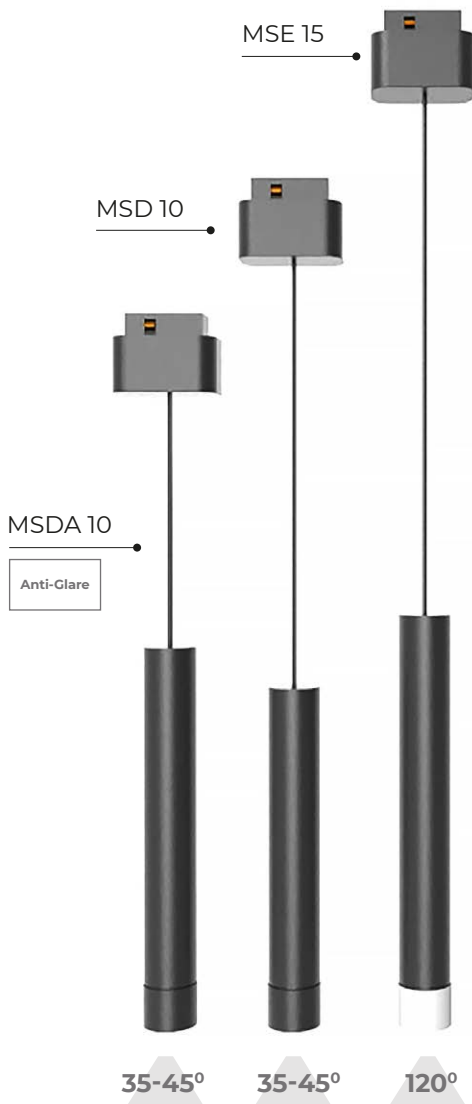
- LED BALL MODULAR
HANGING PHILIPS SMD CHIP

BALL CABLE

POWER	5W
LUMEN OUTPUT	400 lm
LENGTH WITH CABLE	500 mm
CRI	> 90
CCT	WW 3000K / NW 4000K
INPUT	DC 24V
MATERIALS	Glass body
COLOR	Sandy black finish color body, black or translucent cable
BEAM ANGLE	120°



IP 20
120°
Non-dimmable
3000K WW
4000K NW

▪ LED SPOT LIGHT MODULAR
COB CHIP

MSD 10 | MSDA 10 | MSE 15

POWER	10W	10W	15W
LUMEN OUTPUT	800 lm	800 lm	1200 lm
DIMENSION	183 mm	205 mm	220 mm
LENGTH WITH CABLE	700 - 800 mm		
CRI	> 90		
CCT	WW 3000K / NW 4000K		
INPUT	DC 24V		
MATERIALS	Aluminum body		
COLOR	Sandy black finish color body		
BEAM ANGLE	35 - 45°	35 - 45°	120°

IP 20

35-45°

120°

Dimmable

3000K
WW

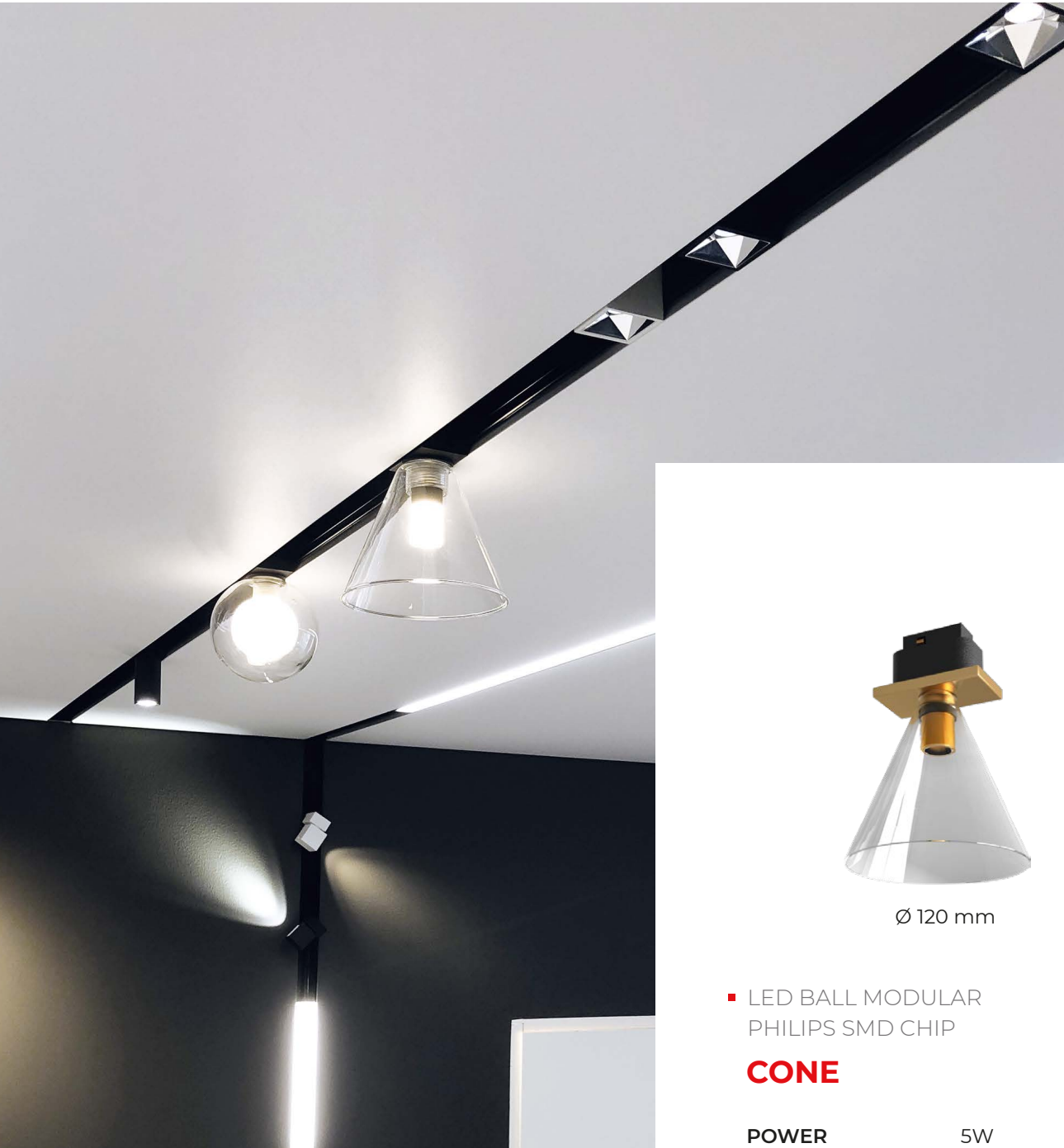
4000K
NW



35-45°

35-45°

120°



Ø 120 mm

- LED BALL MODULAR
PHILIPS SMD CHIP

CONE

POWER	5W
LUMEN OUTPUT	400 lm
DIMENSION	165 mm
CRI	> 90
CCT	WW 3000K / NW 4000K
INPUT	DC 24V
MATERIALS	Sandy black or gold finish color body, glass
BEAM ANGLE	120°

Light effect



IP 20

120°

Non-dimmable

3000K WW

4000K NW





Ø 120 mm

- LED BALL MODULAR
HANGING PHILIPS SMD CHIP

CONE CABLE

POWER	5W
LUMEN OUTPUT	400 lm
LENGTH WITH CABLE	800 mm
CRI	> 90
CCT	WW 3000K / NW 4000K
INPUT	DC 24V
MATERIALS	Glass body
COLOR	Sandy black or gold finish color body, glass, black or translucent cable
BEAM ANGLE	120°

IP 20

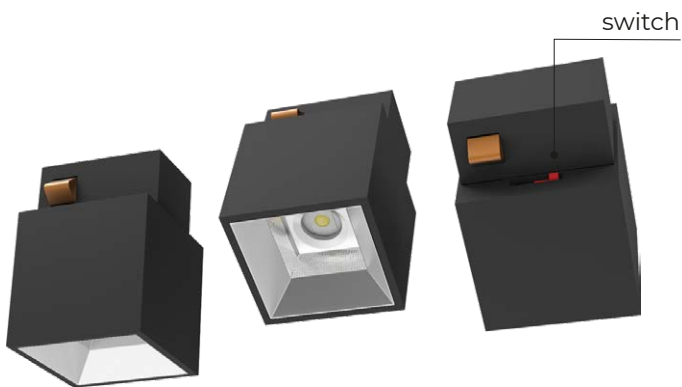
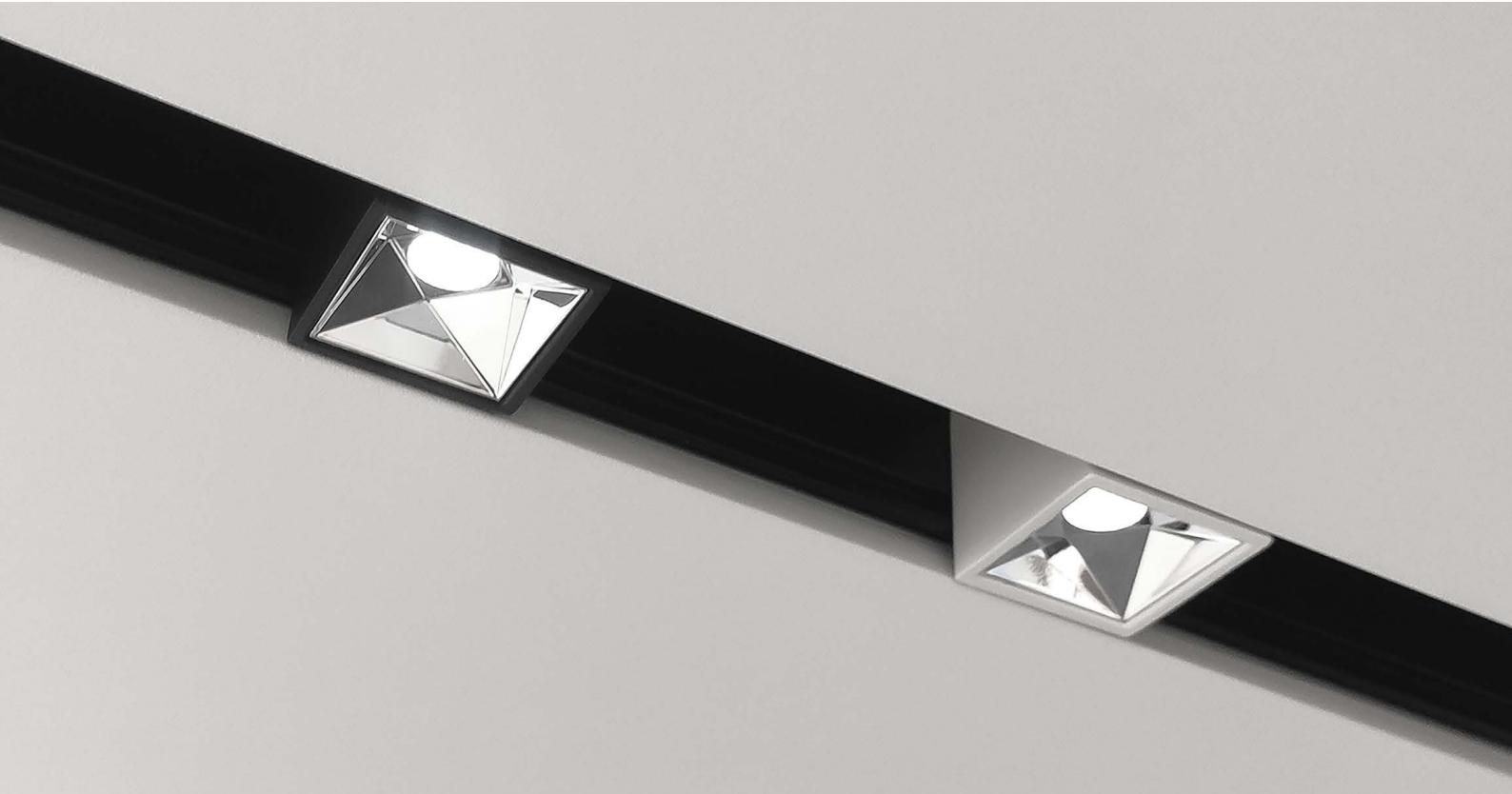
120°

Non-dimmable

3000K
WW

4000K
NW



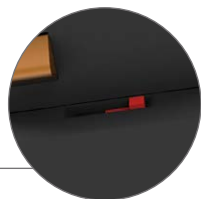


switch

▪ LED SPOT LIGHT MODULAR

DOT 2 black/white CCT

POWER	2W
LUMEN OUTPUT	120 lm
DIMENSION	50 mm
CRI	> 90
CCT	WW 3000K — NW 6000K
INPUT	DC 24V
MATERIALS	Aluminum body
COLOR	Sandy black/white finish color body
BEAM ANGLE	55°



Adjustabel light color temperature by a switch

3000K 3500K 4000K 5000K 6500K

Light effect



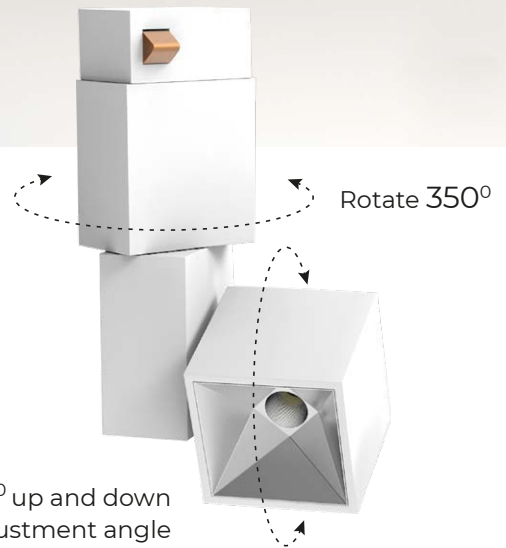
IP 20

55°

Dimmable
by switch



3000K 4000K 6000K

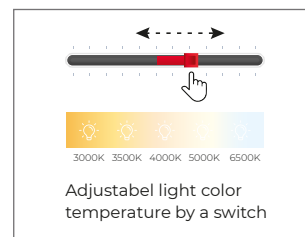


▪ LED SPOT LIGHT MODULAR

DOT black/white CCT

POWER	2W
LUMEN OUTPUT	120 lm
DIMENSION	100 mm
CRI	> 90
CCT	WW 3000K — NW 6000K
INPUT	DC 24V
MATERIALS	Aluminum body
COLOR	Sandy black/white finish color body
BEAM ANGLE	55°

90° up and down adjustment angle

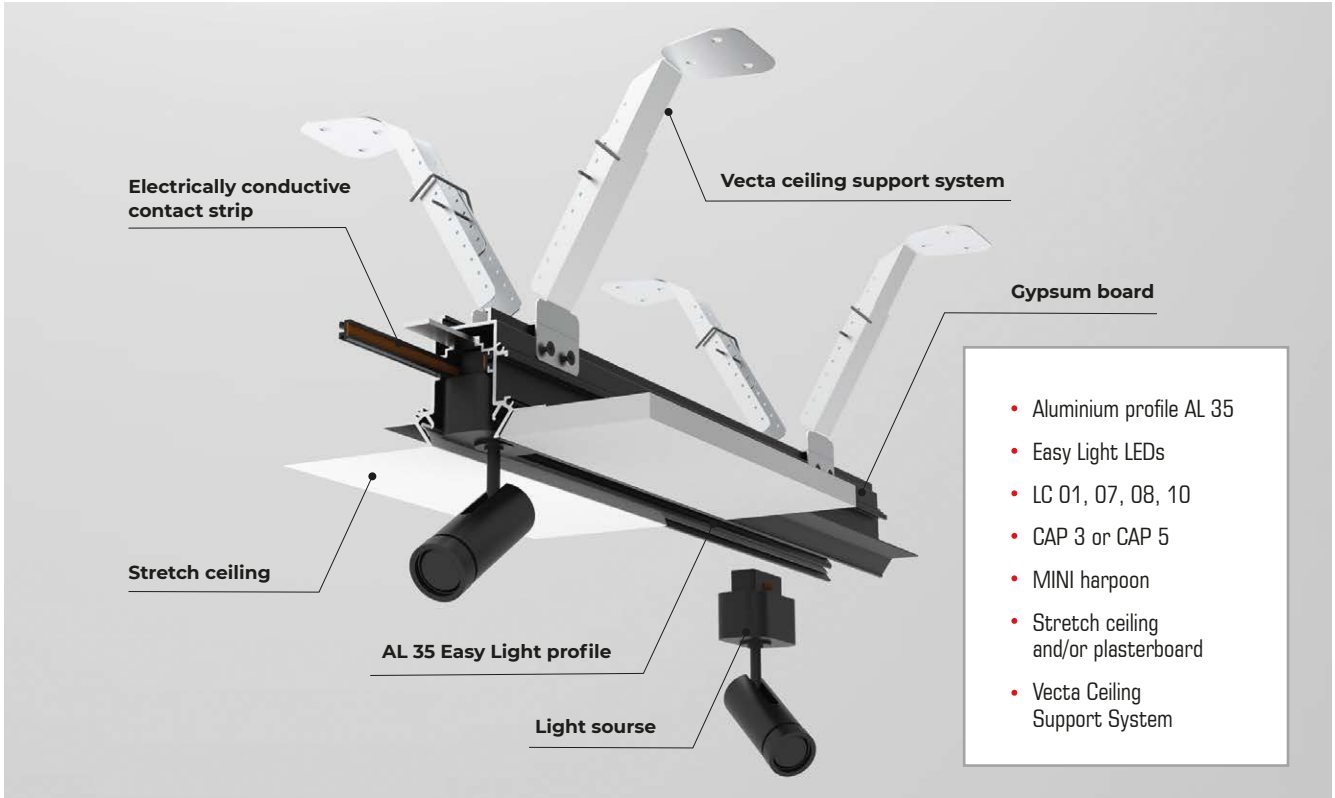


Light effect

IP 20 55° Dimmable by switch

3000K 4000K 6000K

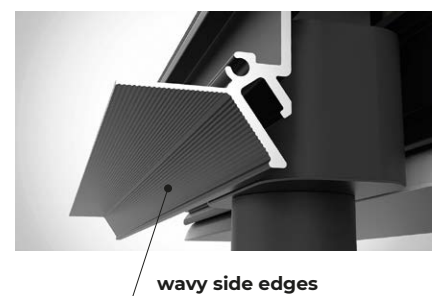
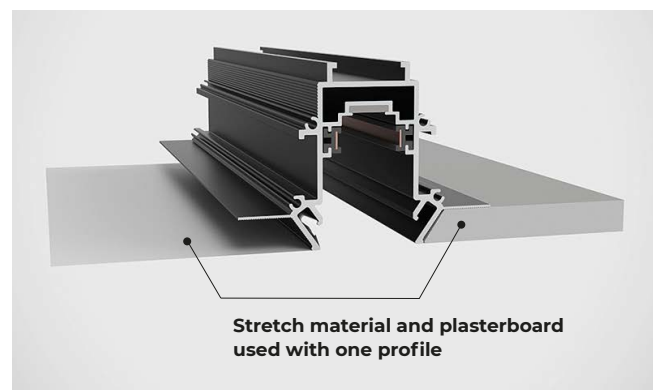
EASY LIGHT PROFILE SYSTEM

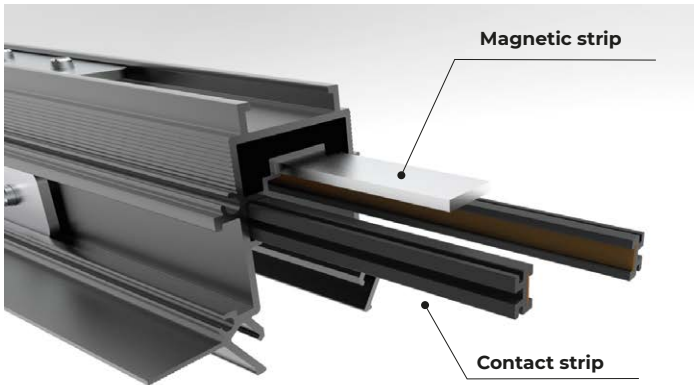


Aluminium profile AL 35 is created for Vecta Easy Light System, it is functional, flexible, and comfortable to use. The profile enables you to change lighting options as often as needed. Creating new, attractive light effects in the space will be done simply within seconds and costly construction investments are past in case one would like to change the interior lighting.

The multipurpose AL 35 profile can be installed in the ceiling and it works with any kind of material – with the stretch film, textile or more traditional materials (gypsum for example). It has wavy side edges, which are designed to make attaching any other ceiling material to this profile easily and accurately.

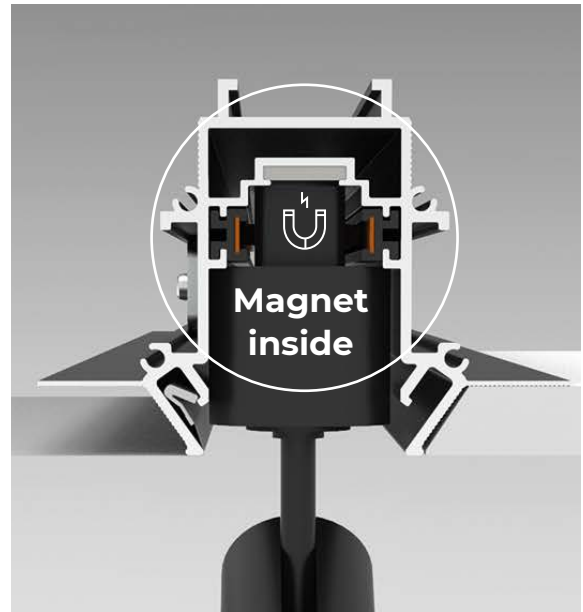
The profile is suitable to use in any room, no matter if the interior design is contemporary or more traditional looking. Different types of lamps with large selection of designs, various dimensions, warm and cold light effects can meet any lighting requirement.





Vecta Easy Light profile system is equipped with a metal strip and bottoms of the lamps are equipped with magnets. There are electrically conductive contact strips on both sides of the profile, that allow changing location of the lamps easily.

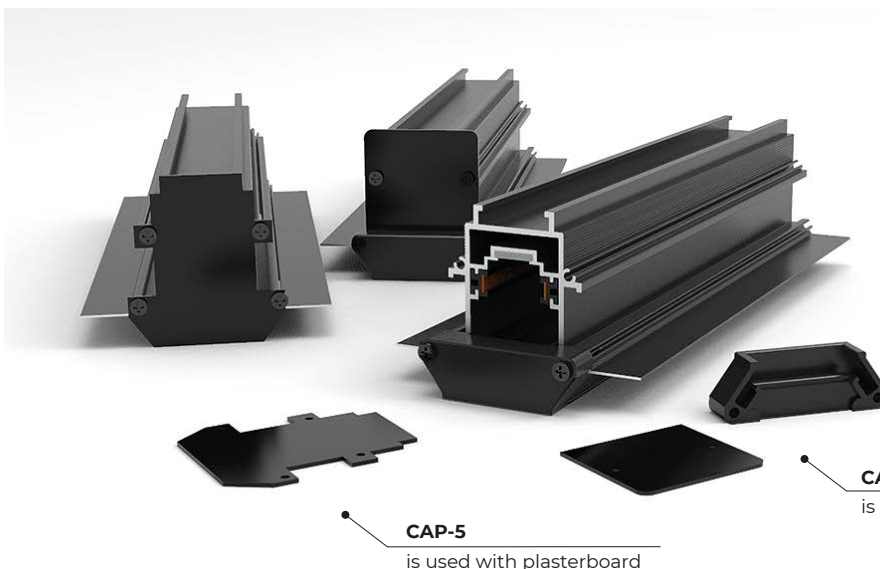
- Two ways to change the location of the lamp:
- slide the lamp along the profile or
 - pull the lamp out and push it to the new position slightly.



CORNERS AND CONNECTIONS



COMPACT ENDINGS



Screw grooves on the side of the profile makes it easy to attach the end covers and create profile structures of different length according to customers wishes.

EASY
LIGHT
Developed by *Vecta Design*



Primary facility:

Pärlimõisa tee 20, Pärnu,
Estonia, 80010

+372 44 23 023
+372 5300 2424

info@vectadesign.com

www.vectadesign.com

Sales office:

Sepise 8, Ülemiste city,
Tallinn, 1115

+372 5804 5402

tallinn@vectadesign.com