

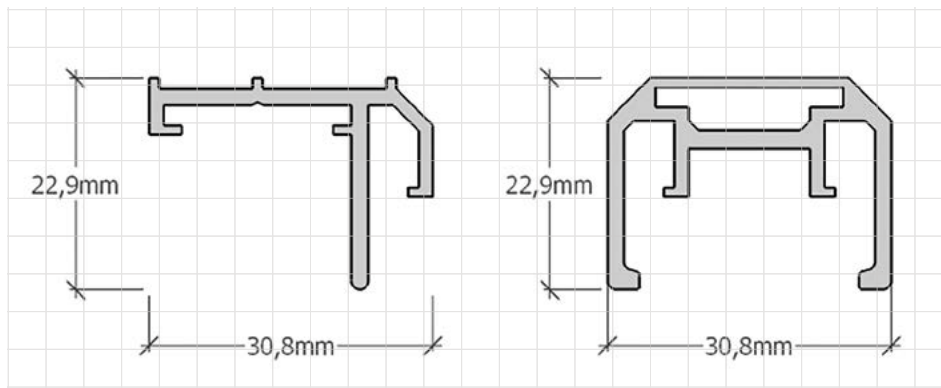


AL 36 A + AL 37 A

Used with MINI harpoon

The eye-catching light design will create a suggestive atmosphere and will bring liveliness to any space.

PROFILE REAL-SIZE DIMENSIONS



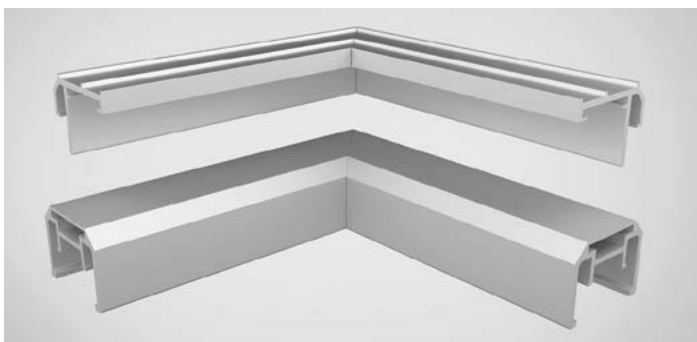
AL 36-A

AL 37-A

DISCRIPTION

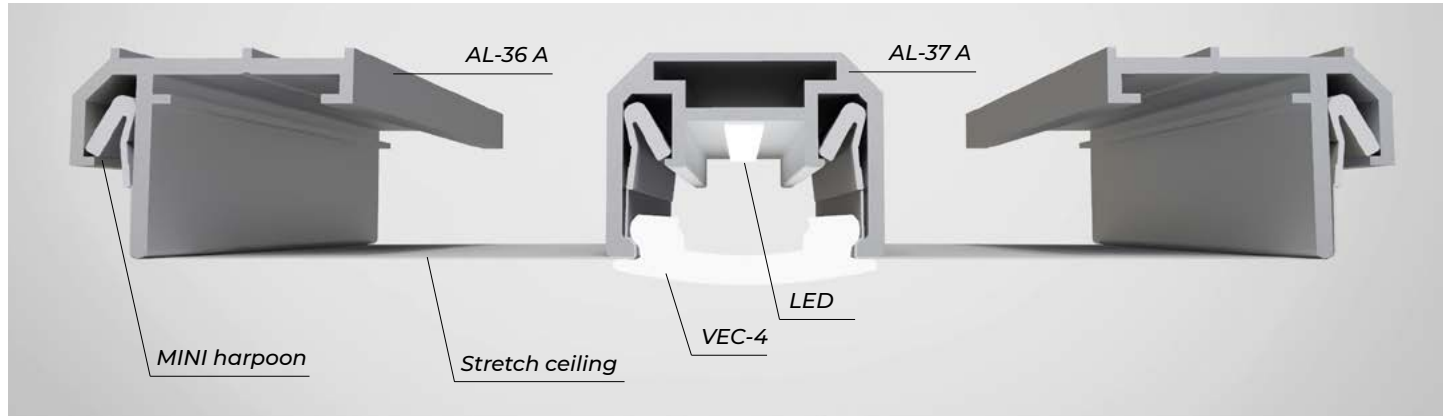
The minimalist structure of this profile makes it a cost-effective and reasonable choice when a lightweight, yet durable aluminum profile is wanted, for creating beautiful and original light lines combined with a stretch ceiling connected with a mini harpoon. The design of this aluminum profile ensures the smooth and easy installation of the profile to the base ceiling or walls, despite the wall and ceiling connections

may not always be straight, just as the base ceiling which is not always completely straight and there may be uneven height problems. By using this profile the installer can be sure that the result will be perfectly straight.



The profiles are anodized, which will make this product even more flexible as it is a suitable solution in high-humidity rooms like bathrooms, spas, and rooms with a pool in it. The profile is therefore resistant to corrosion and wear. An additional advantage of this profile is the dimensions of the profile, which will ensure minimal height loss – only 3 cm from the base ceiling.

USING AL 36 A and AL 37 A PROFILE



This profile is a practical choice in case one would like to create flawless and recessed light lines in the interior or create divided ceiling zones. It can be mounted to the ceiling or the walls. Original light lines created with this profile can be located either on the perimeter of the room or in the middle of the ceiling or walls. The end cap enables creating even more dynamic interior design solutions, patterns, or specific shapes.

