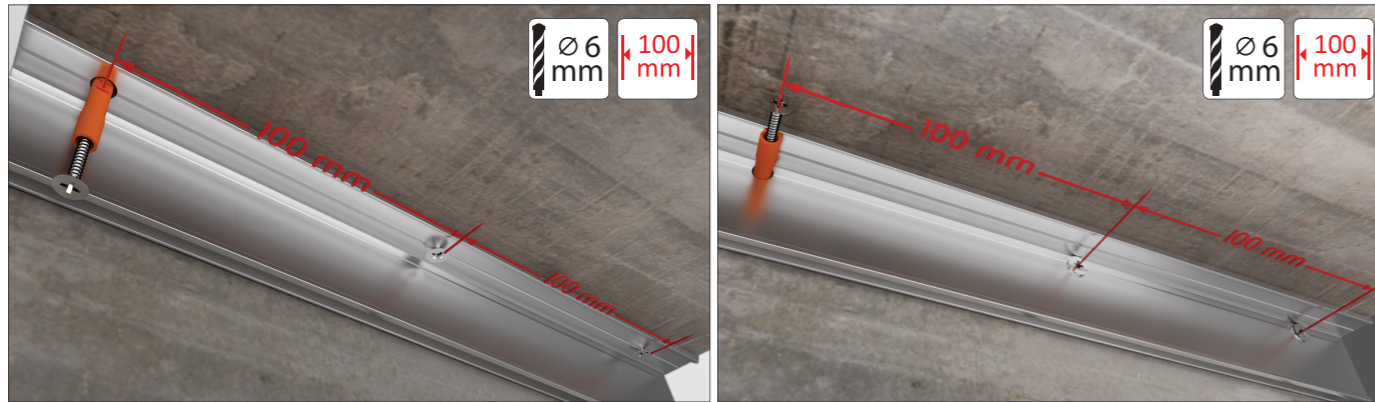
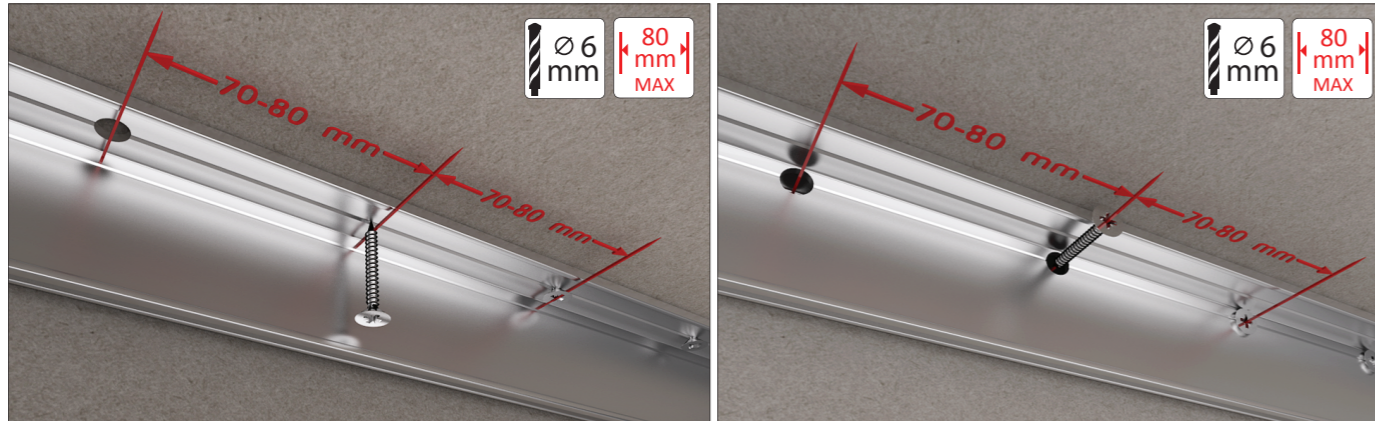


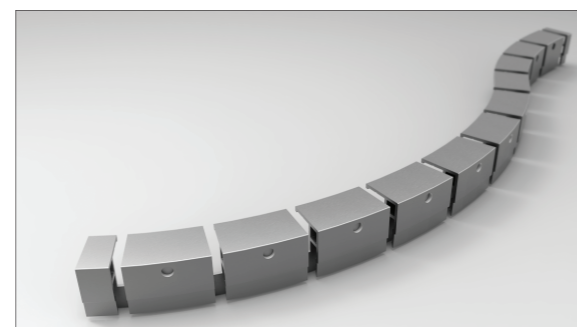
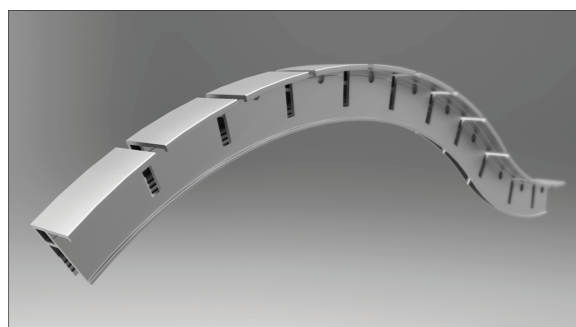
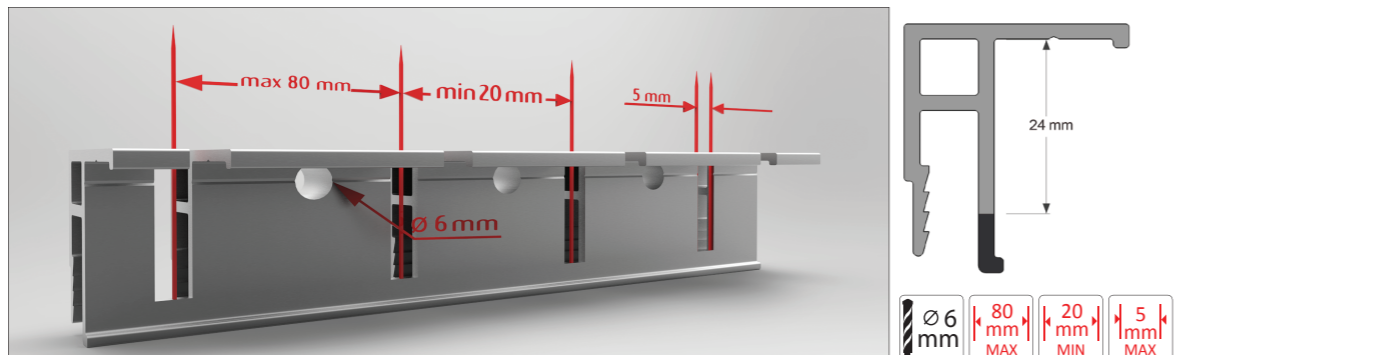
Fastening the profile to the concrete ceiling



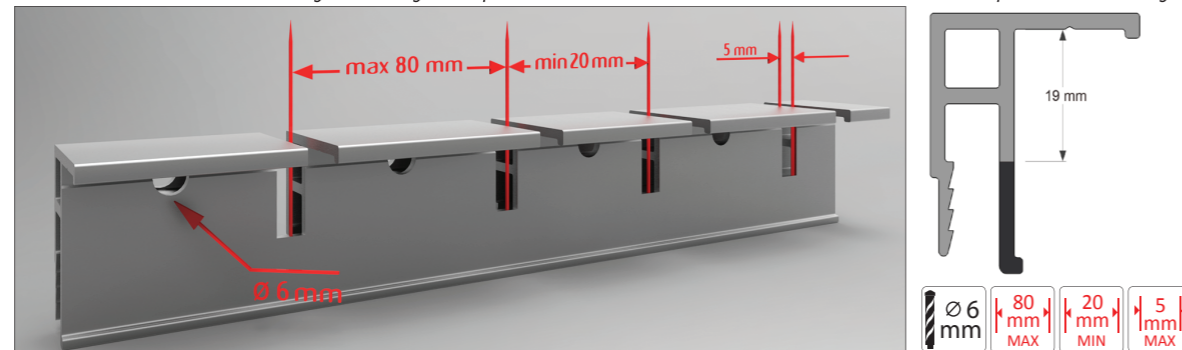
Fastening the profile to the plasterboard ceiling



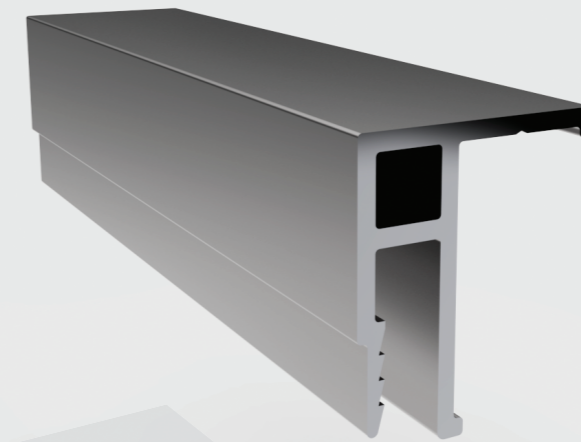
Pre-notched in the factory for easy adaptation on site to rounded and vaulted shapes vertically



Pre-notched in the factory for easy adaptation on site to rounded and vaulted shape horizontally



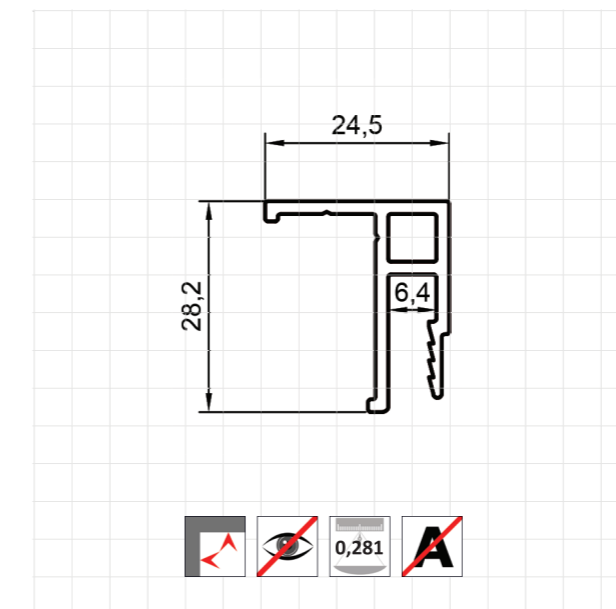
Feel free to contact in case any questions: info@vectadesign.com | phone: +372 44 23 023 | fax: +372 43 70 339



AL 01

Universal aluminum profile used with decoration strip

PROFILE REAL-SIZE DIMENSIONS



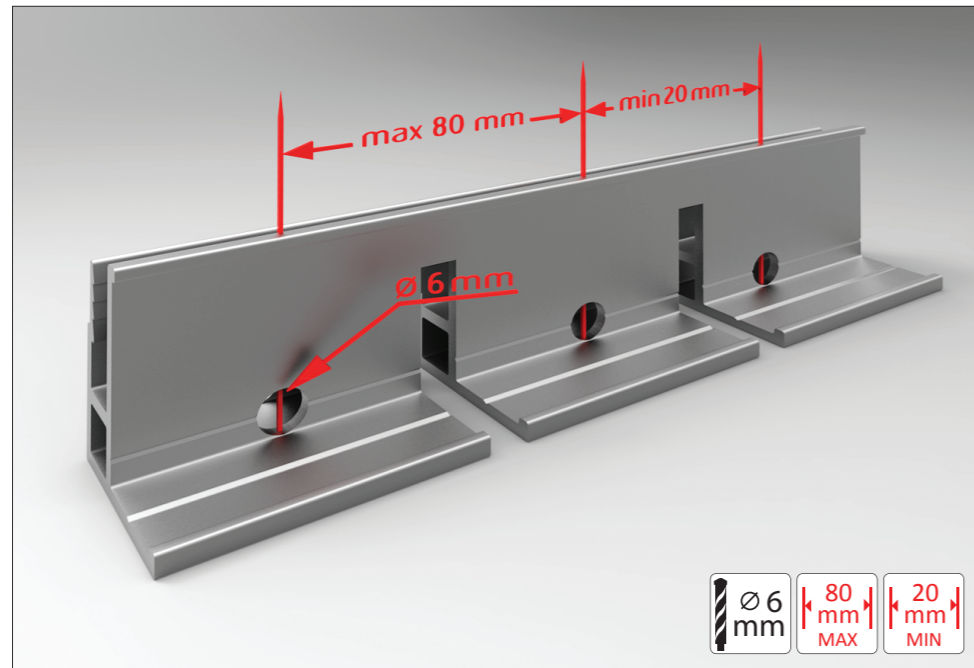
DESCRIPTION

Profile is used with decoration strip for installing stretch ceilings to the wall or to the ceiling.

Anodized profile is recommended to use in the rooms with high humidity levels (bathroom, spa). Recommended area for the installation with this profile is up to 50 m².

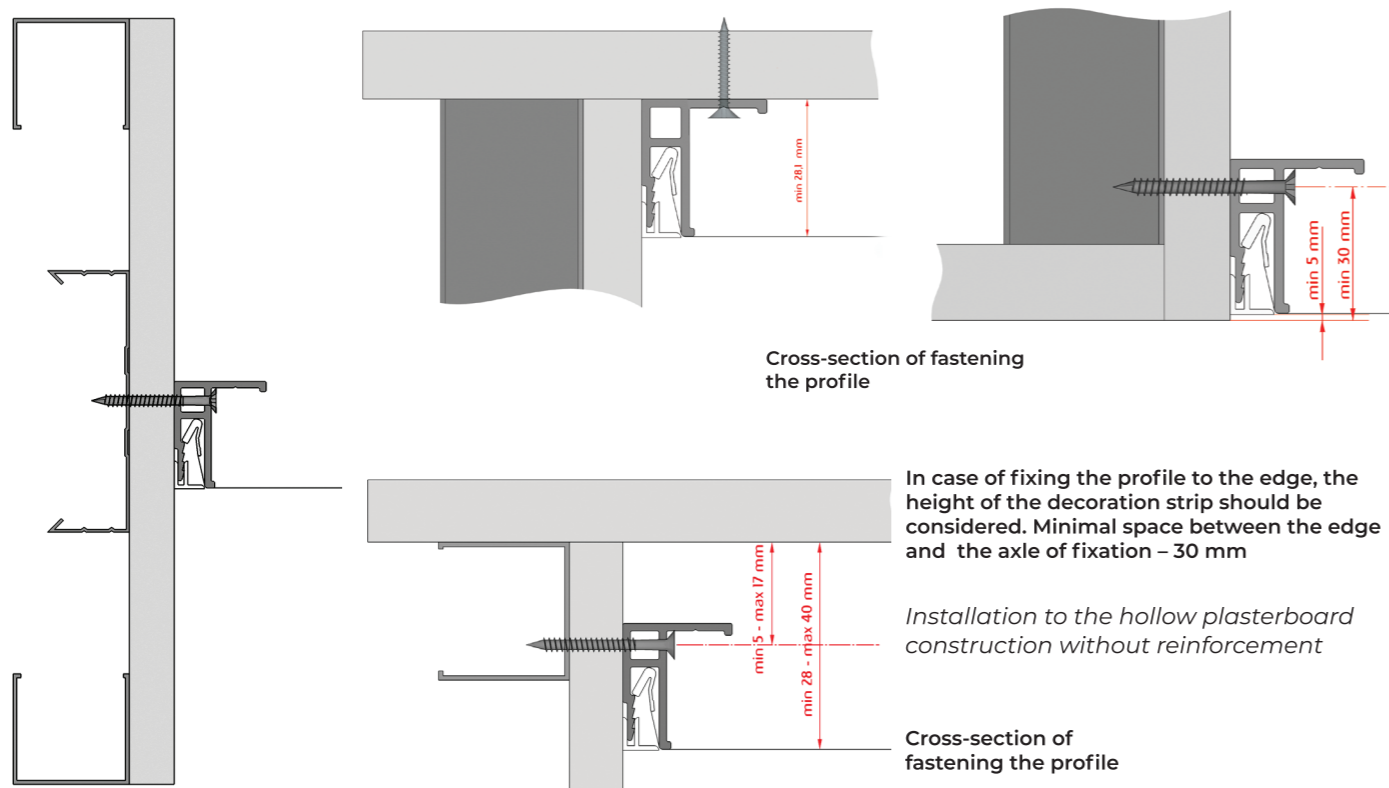
Great universal profile that is suitable for creating bent (waves) and round shape elements on the ceiling and walls. The profile frame will be aesthetically hidden behind the stretch material.

Feel free to contact in case any questions: info@vectadesign.com | phone: +372 44 23 023 | fax: +372 43 70 339

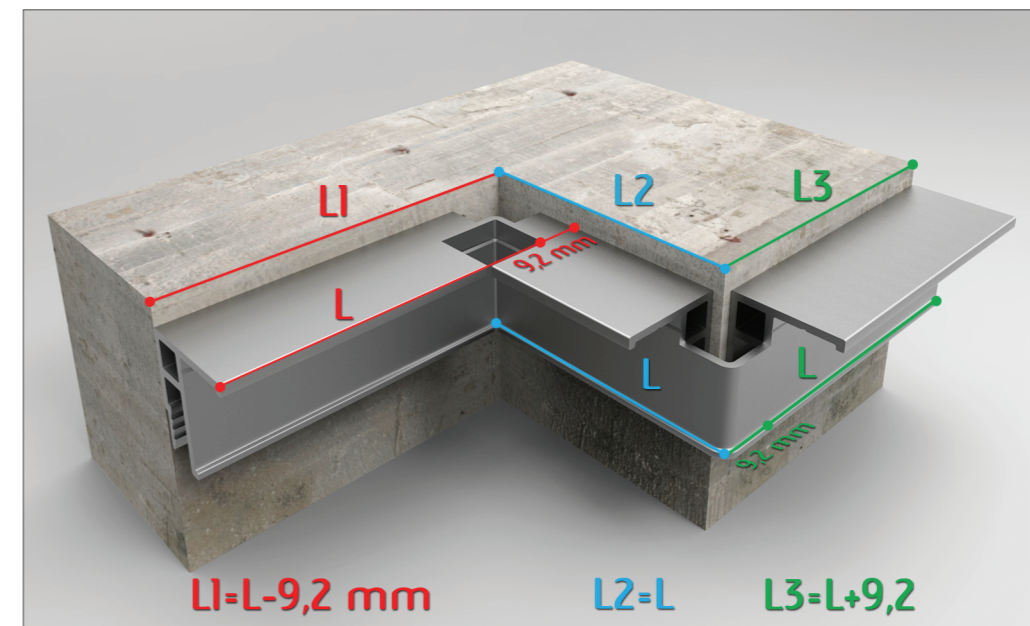
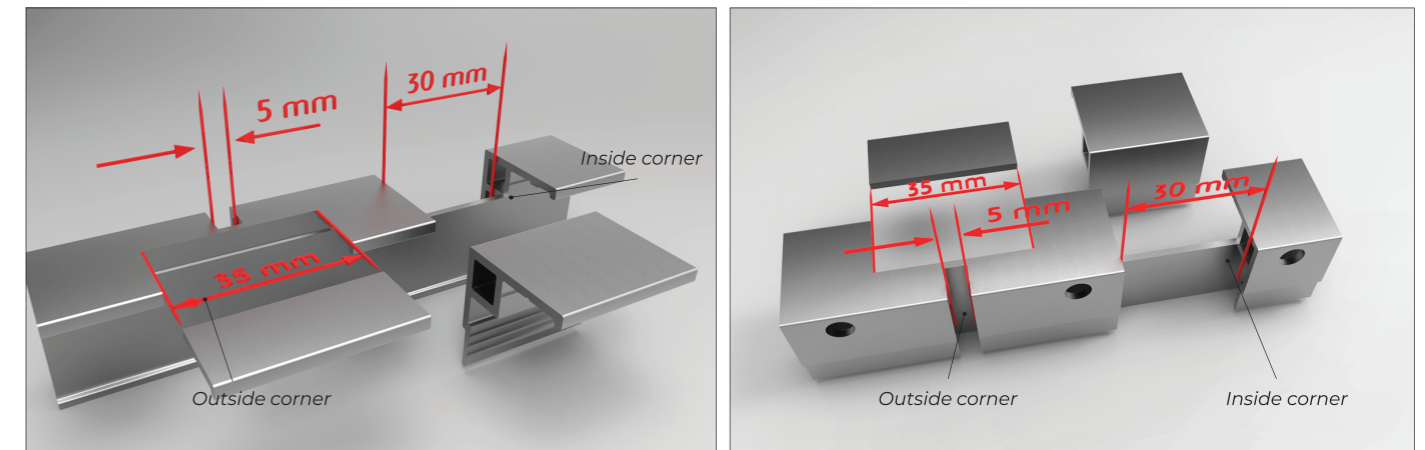


Pre-notched in the factory for easy adaptation on site to rounded and vaulted shapes

FASTENING THE PROFILE TO THE METAL FRAMEWORK AND PLASTERBOARD



CUTTING PROFILE CORNERS



DECORATION STRIP PC 03W IN USAGET WITH AL 01

