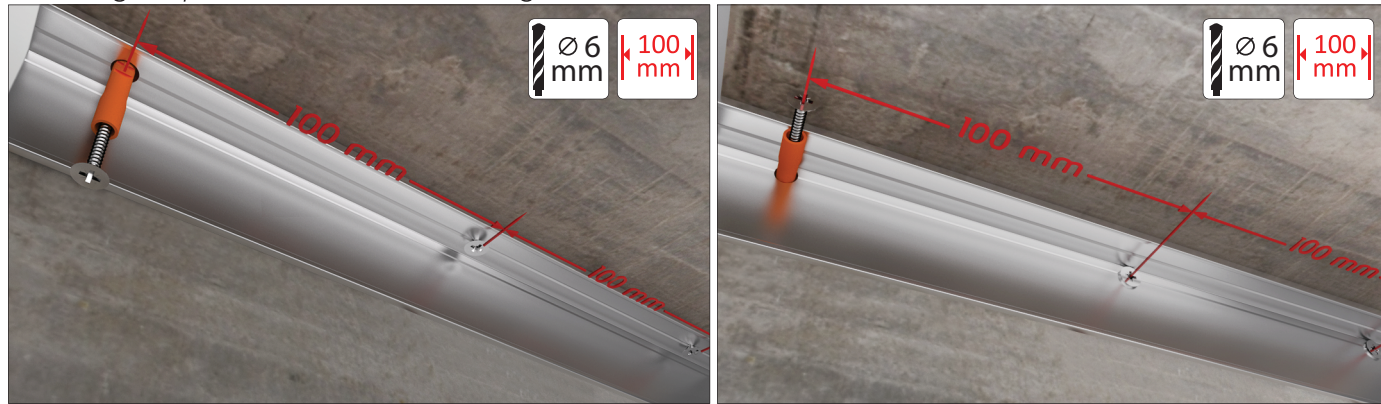
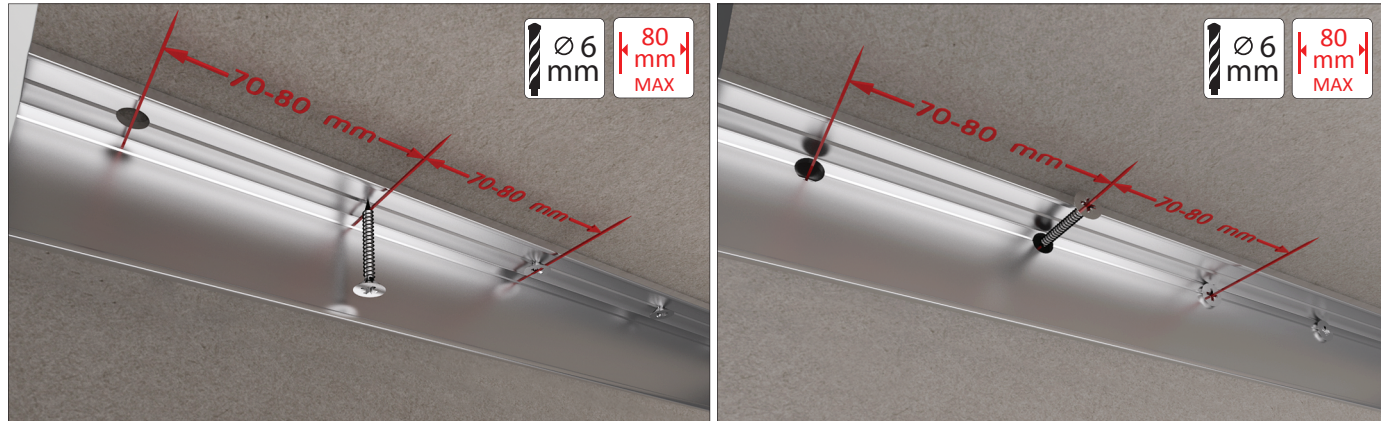


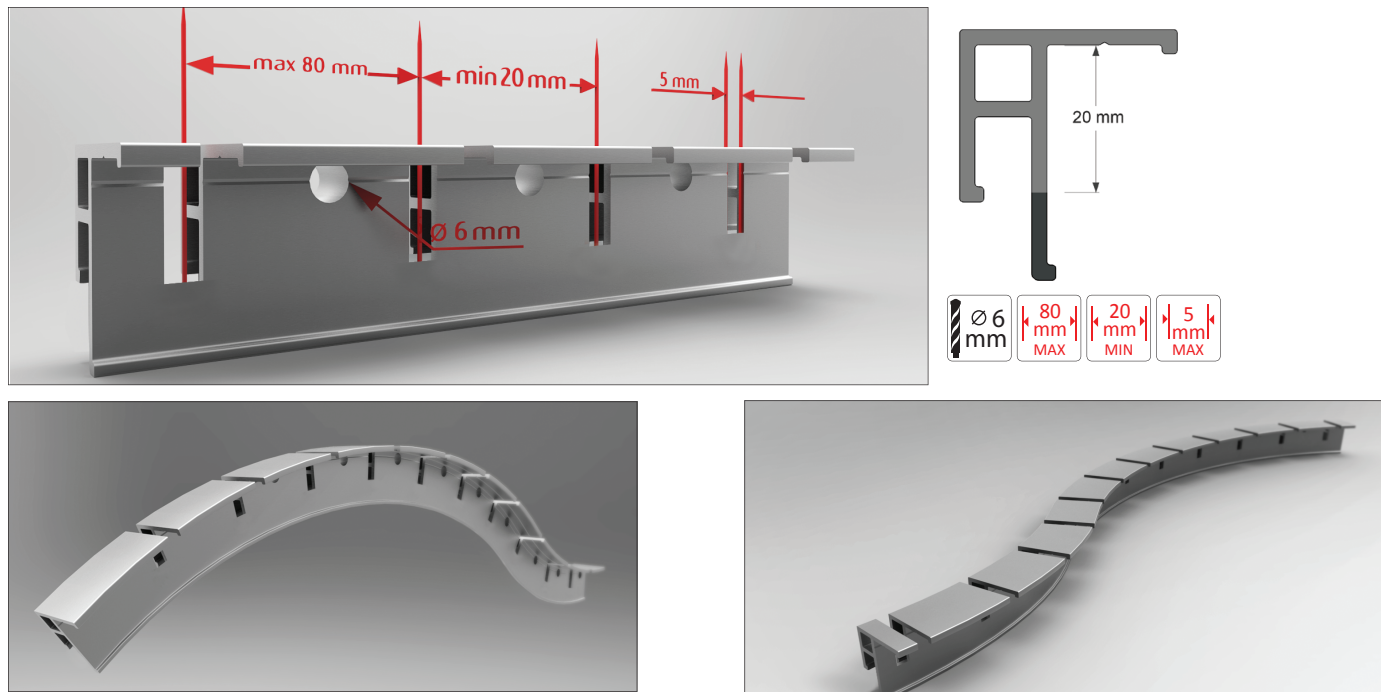
Fastening the profile to the concrete ceiling



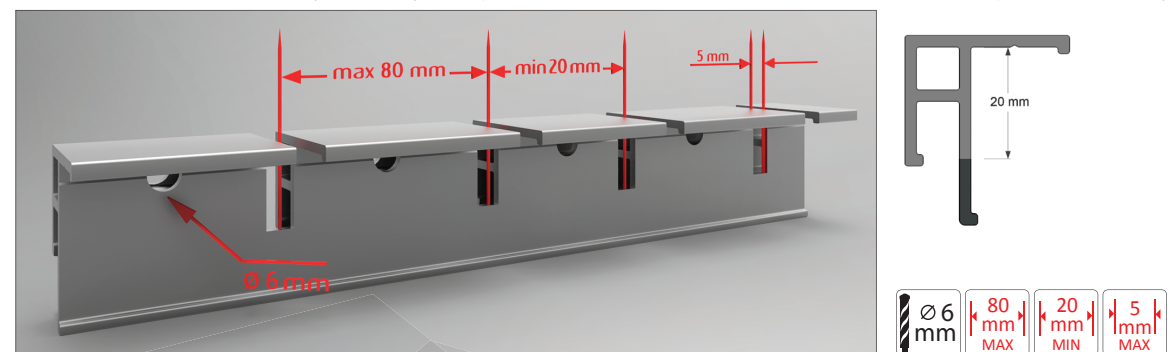
Fastening the profile to the plasterboard ceiling



Pre-notched in the factory for easy adaptation on site to rounded and vaulted shapes vertically



Pre-notched in the factory for easy adaptation on site to rounded and vaulted shape horizontally



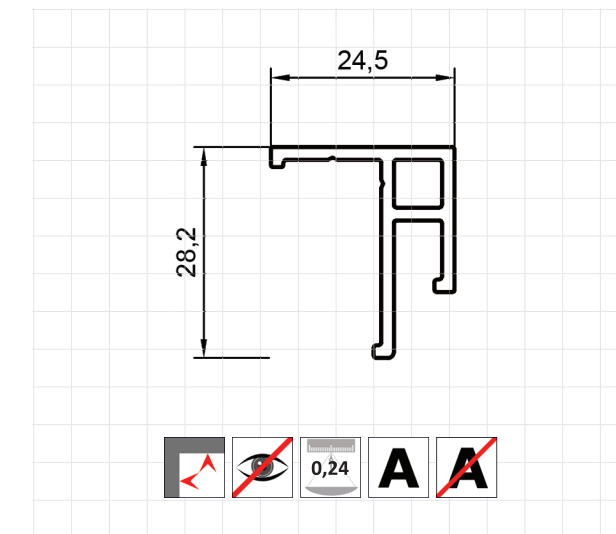
Feel free to contact in case any questions: [info@vectadesign.com](mailto:info@vectadesign.com) | phone: +372 44 23 023 | fax: +372 43 70 339



# AL 01 S

Aluminum profile used without decoration strip

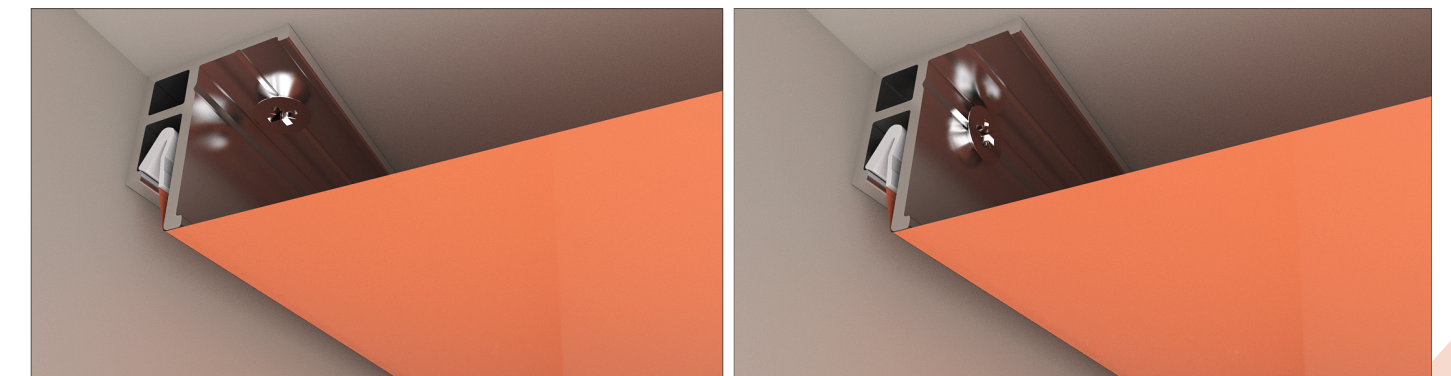
## PROFILE REAL-SIZE DIMENSIONS



## DESCRIPTION

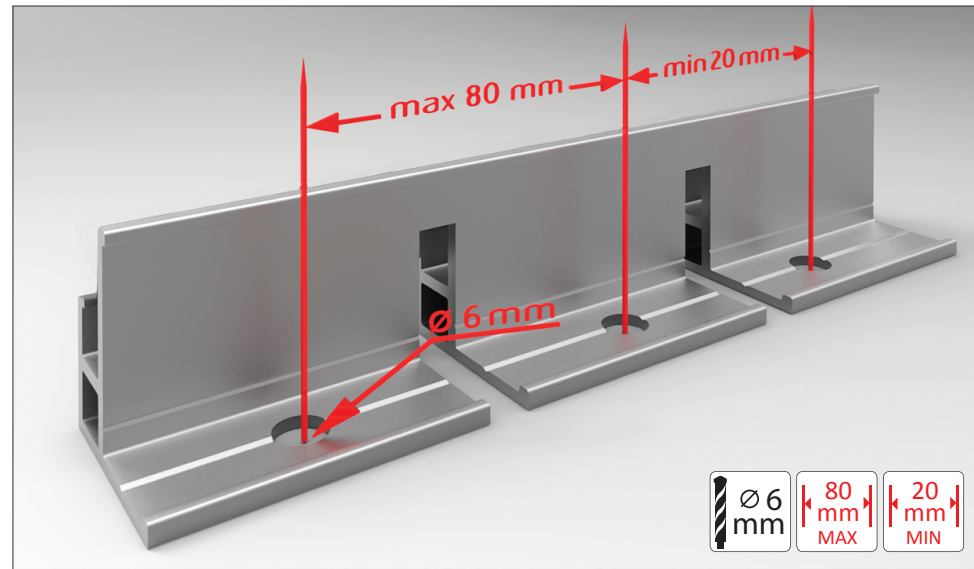
Profile is used without decoration strip for installing stretch ceilings to the wall or ceiling, creating an impression of the ceiling floating in the air. Anodized profile is recommended to use in the rooms with high humidity level (pool, bathroom, spa). Recommended area for installation with this profile is up to 50 m<sup>2</sup>. Given profile visually reduces the defects and irregularities of the walls by 1-2,5 mm. The ceiling benefits from extremely pure lines, without visible tracks.

## MOUNTING PROFILE AL 01 S



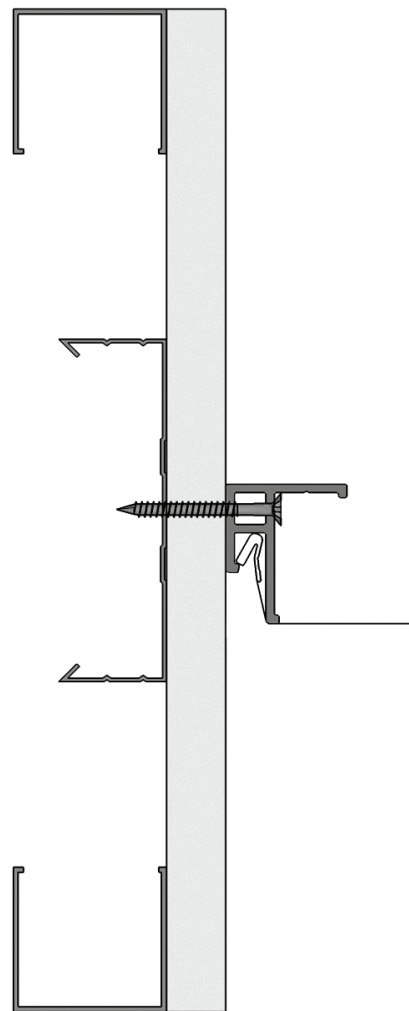
Feel free to contact in case any questions: [info@vectadesign.com](mailto:info@vectadesign.com) | phone: +372 44 23 023 | fax: +372 43 70 339





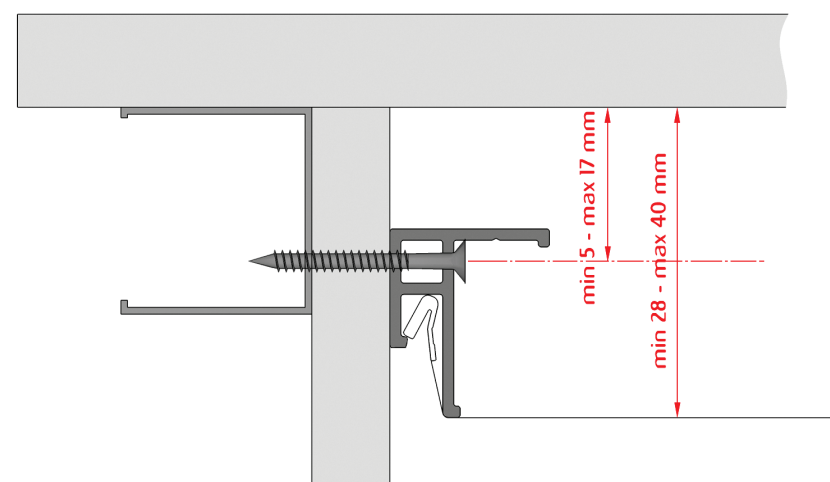
Pre-notched in the factory for easy adaptation on site to rounded and vaulted shapes

**FASTENING THE PROFILE TO THE METAL FRAMEWORK AND PLASTERBOARD**

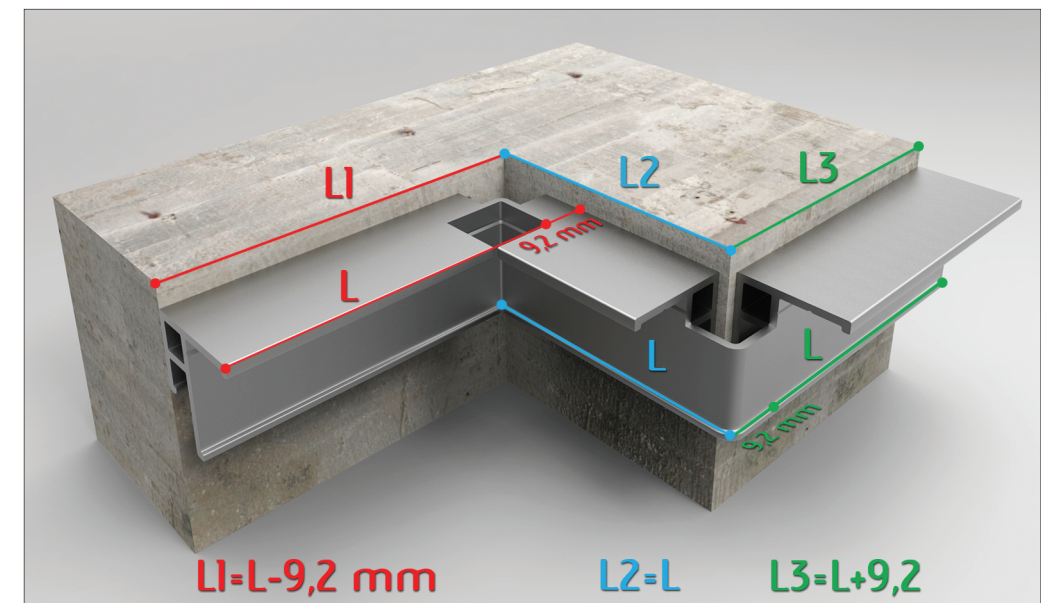
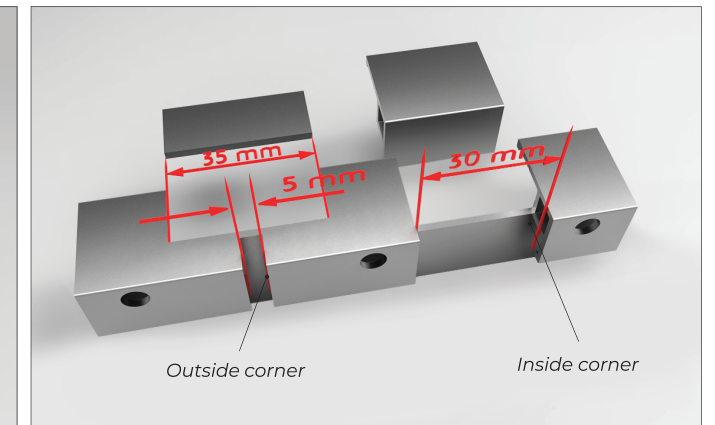
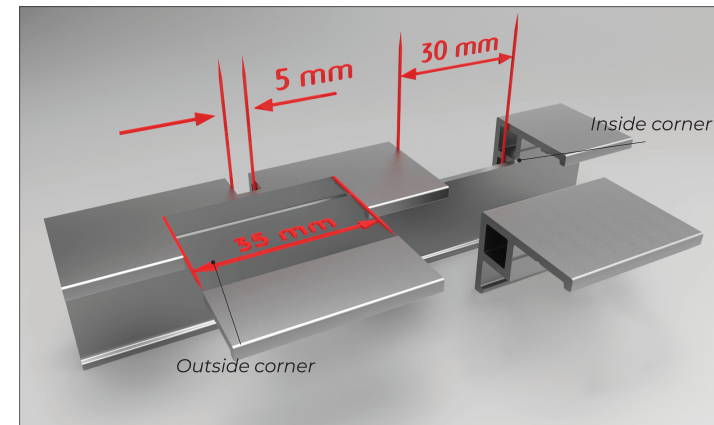


Installation to the hollow plasterboard construction without reinforcement

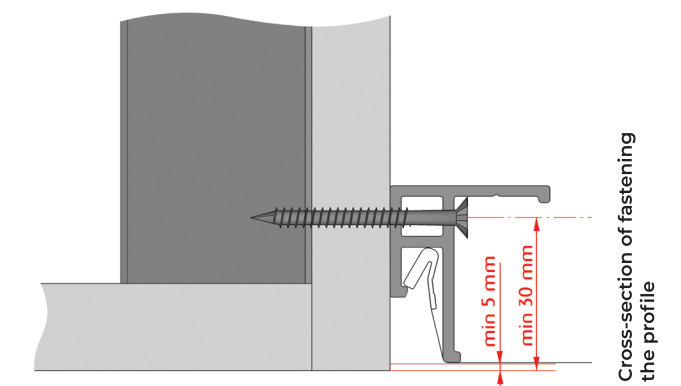
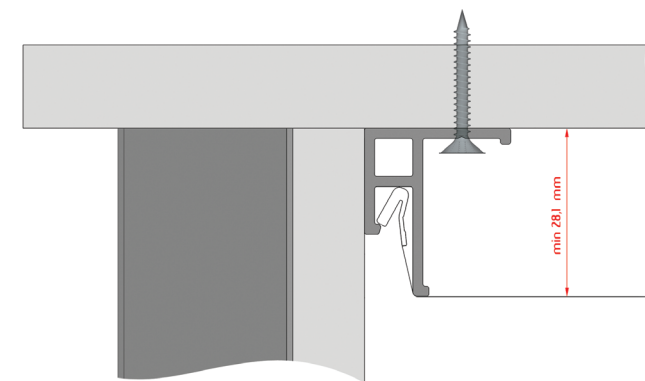
Cross-section of fastening the profile



**CUTTING PROFILE CORNERS**



Installation to the hollow plasterboard construction without reinforcement



In case of fixing the profile to the edge, the height of the decoration strip should be considered. Minimal space between the edge and the axle of fixation - 30 mm