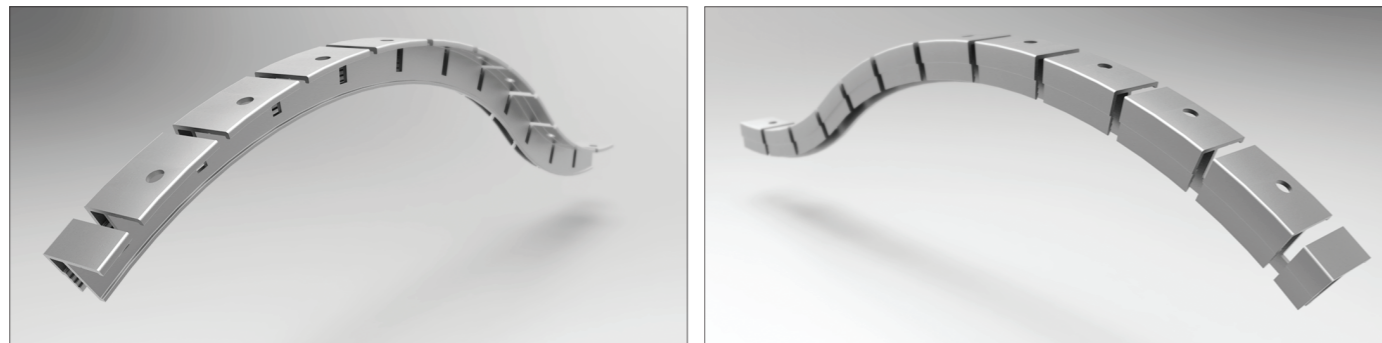
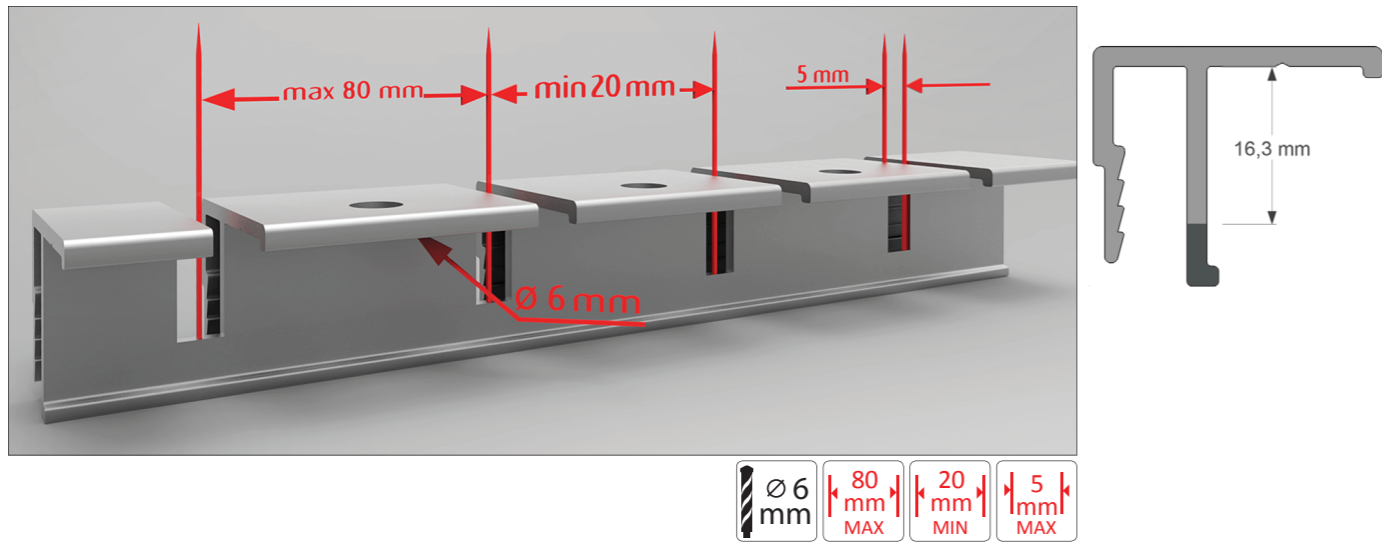
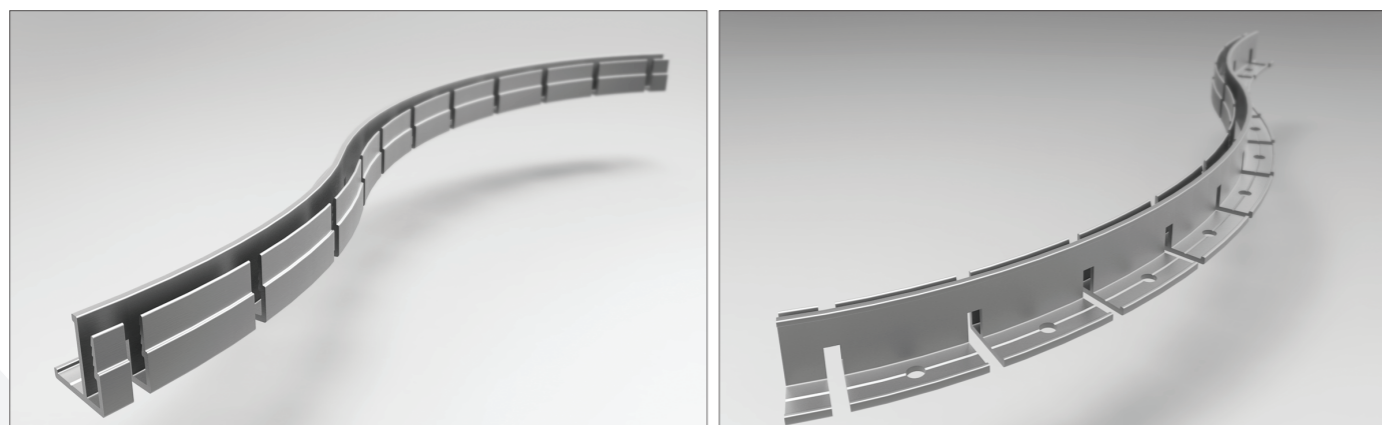
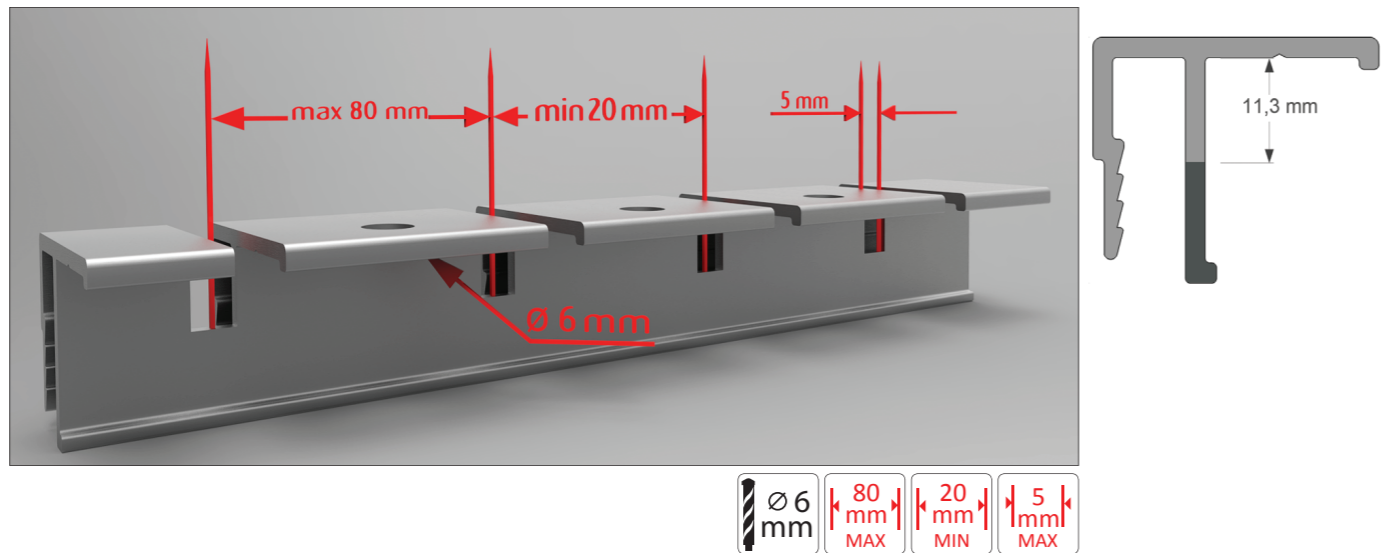


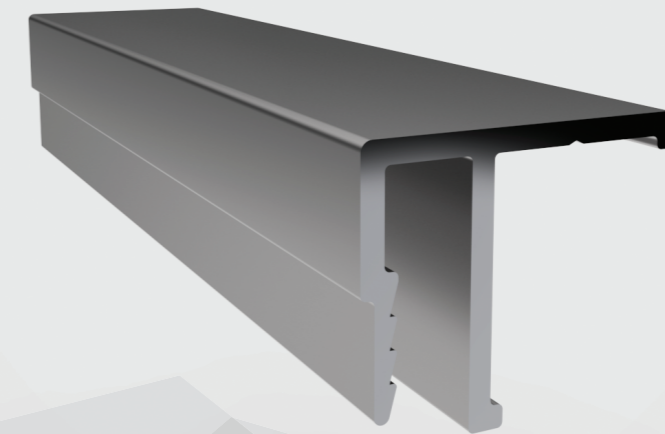
Pre-notched in the factory for easy adaptation on site to rounded and vaulted shape vertically



Pre-notched in the factory for easy adaptation on site to rounded and vaulted shape horizontally



Feel free to contact in case any questions: info@vectadesign.com | phone: +372 44 23 023 | fax: +372 43 70 339



AL 02

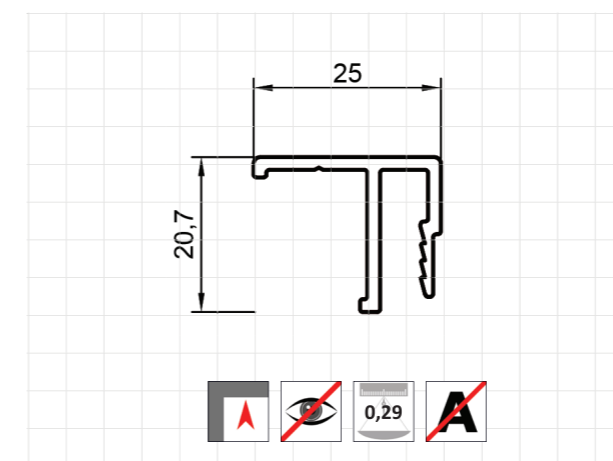
Aluminum profile used with decoration strip

SENSATIONAL OBJECTS DONE WITH THIS PROFILE



Pärnu Bus Station Estonia / Pärnu Installer: Vecta Design

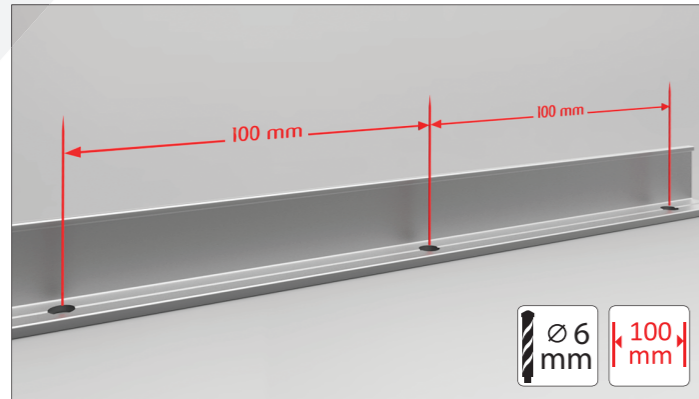
PROFILE REAL-SIZE DIMENSIONS



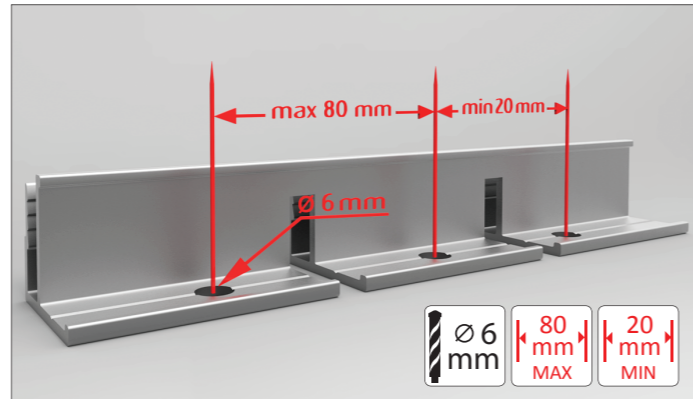
DESCRIPTION

Profile is used with decoration strip for installing stretch ceiling to the ceiling and in certain cases to the wall. Anodized profile is recommended to use in the rooms with high humidity level (pool, bathroom, spa). Recommended area for installation with this profile is up to 50 m².

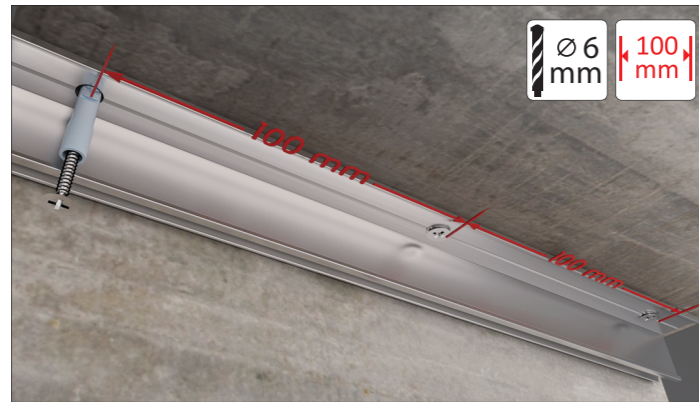
Feel free to contact in case any questions: info@vectadesign.com | phone: +372 44 23 023 | fax: +372 43 70 339



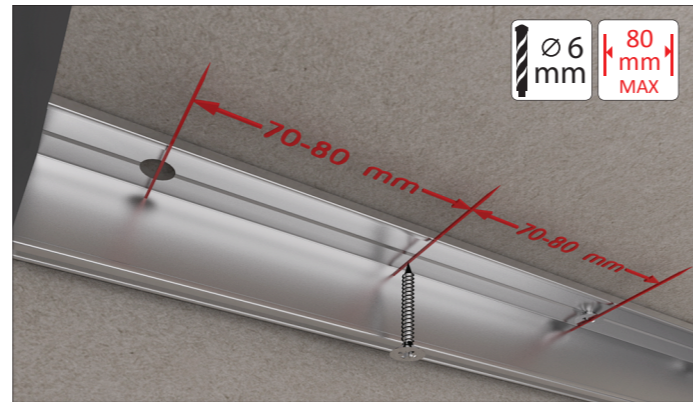
Fastening the profile to the straight line



Pre-notched in the factory for easy adaptation on site to rounded and vaulted shapes

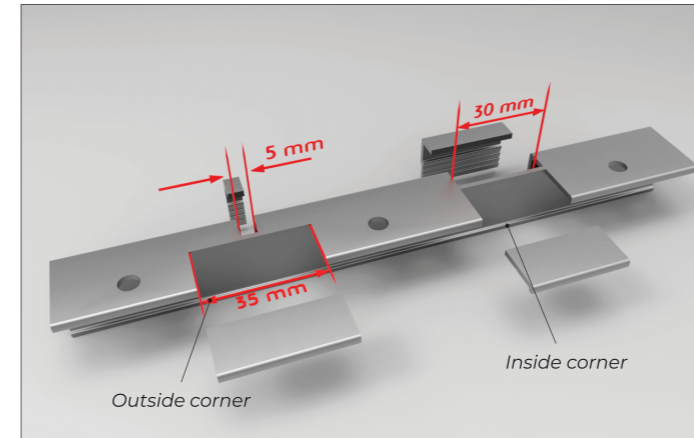


Fastening the profile to the concrete ceiling

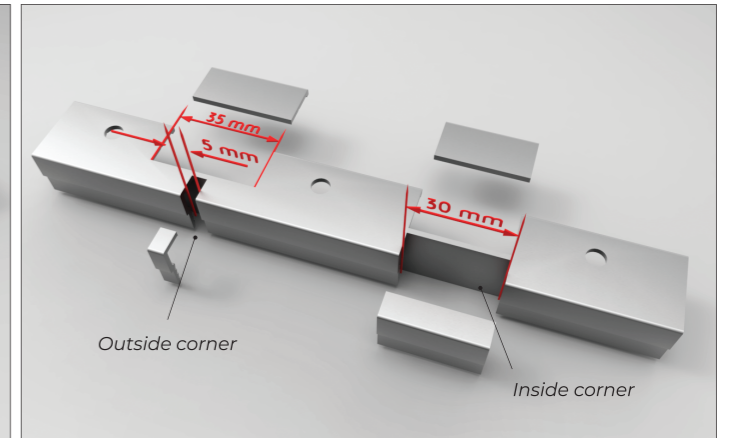


Fastening the profile to the plasterboard ceiling

CUTTING PROFILE CORNERS

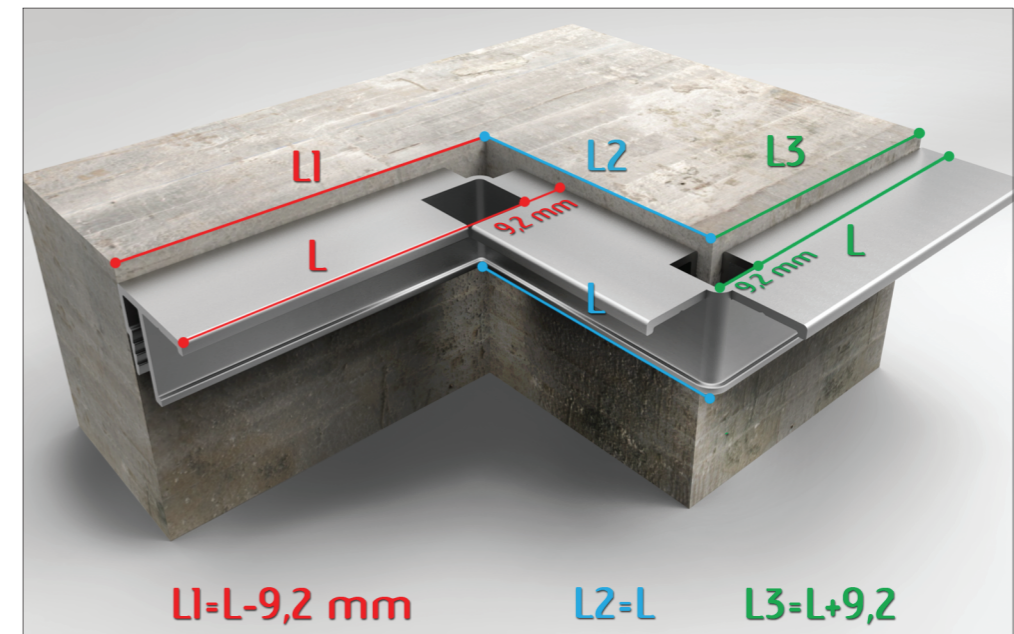


Outside corner



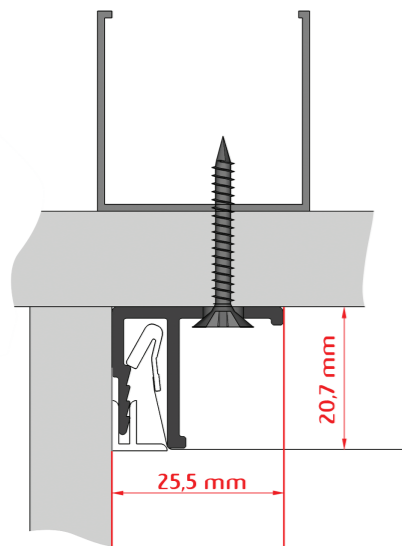
Outside corner

Inside corner

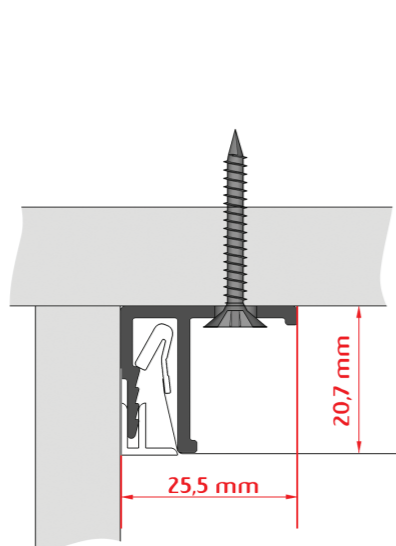


FASTENING THE PROFILE TO THE METAL FRAMEWORK AND PLASTERBOARD

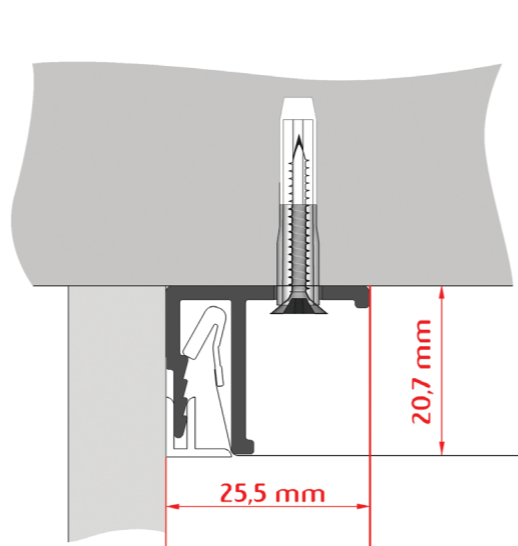
- Fastening the profile to the metal framework and plasterboard



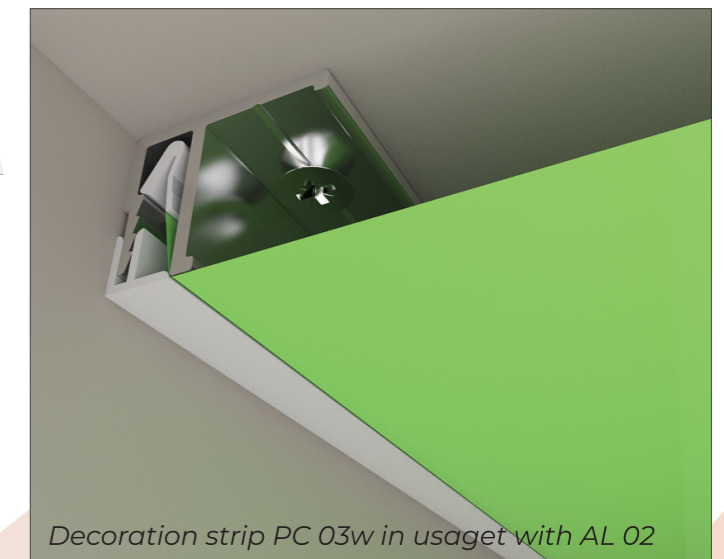
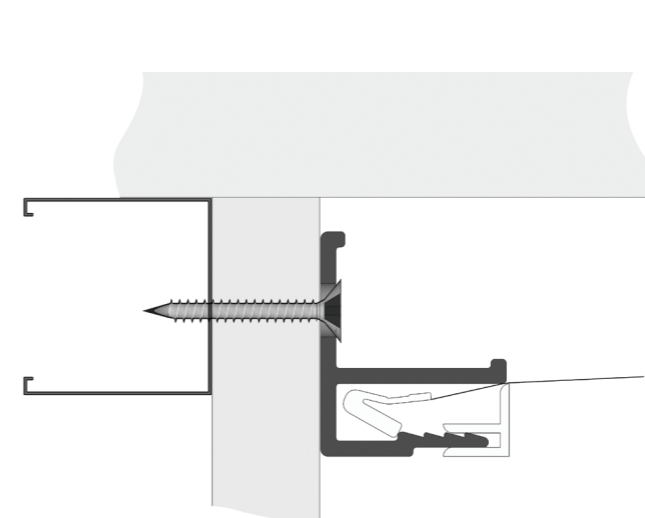
- Fastening the profile to the hollow plasterboard construction without reinforcement



- Fastening the profile to the concrete and brick walls



- Fastening the profile to the metal framework and plasterboard wall



Decoration strip PC 03w in usaget with AL 02