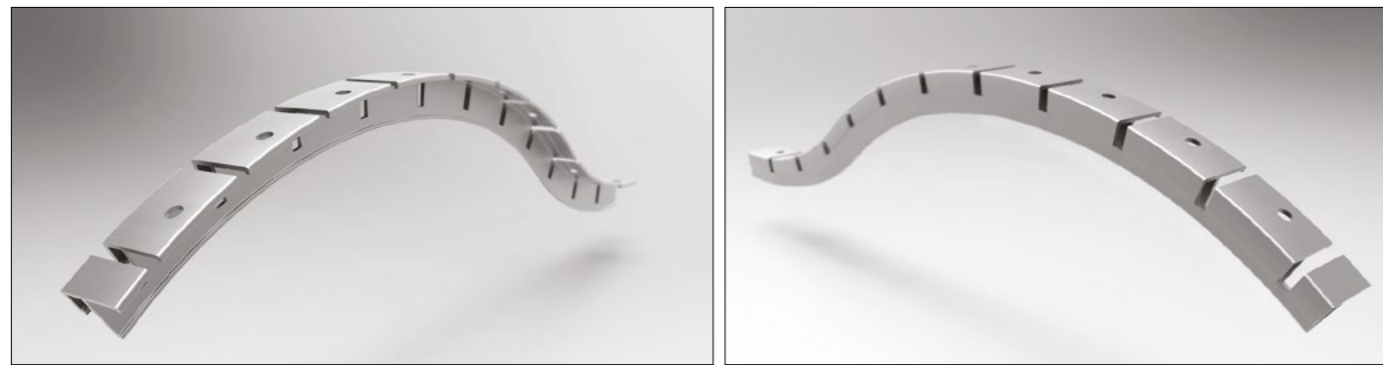
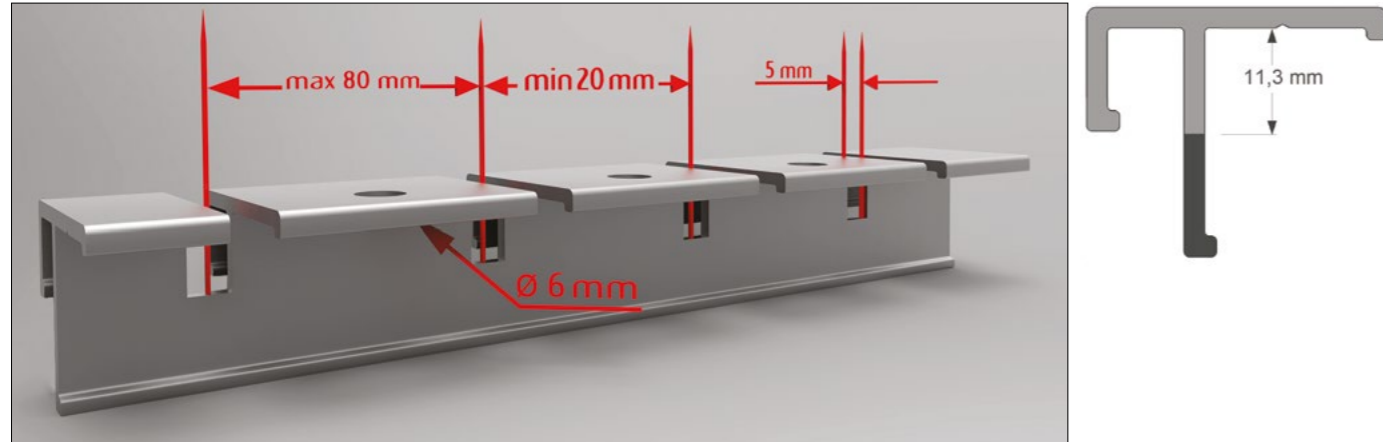
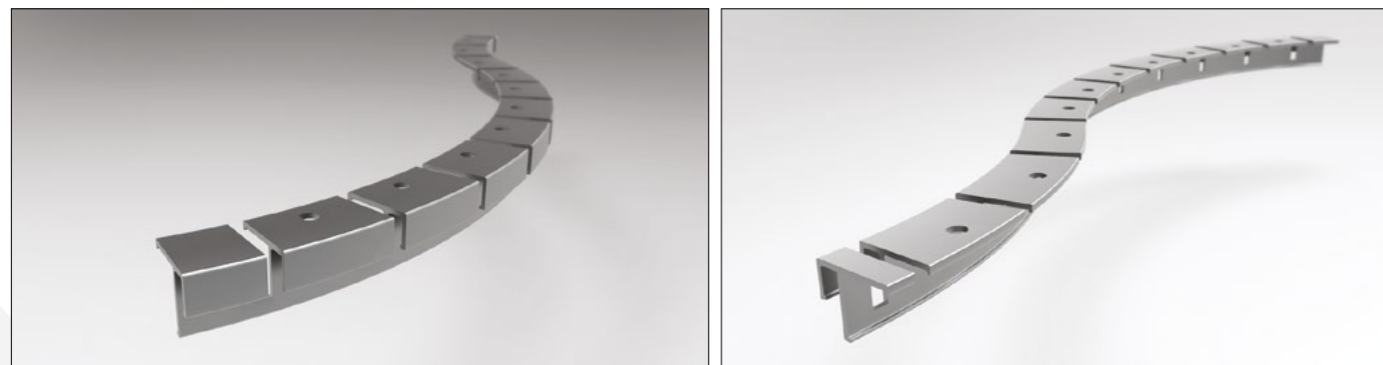
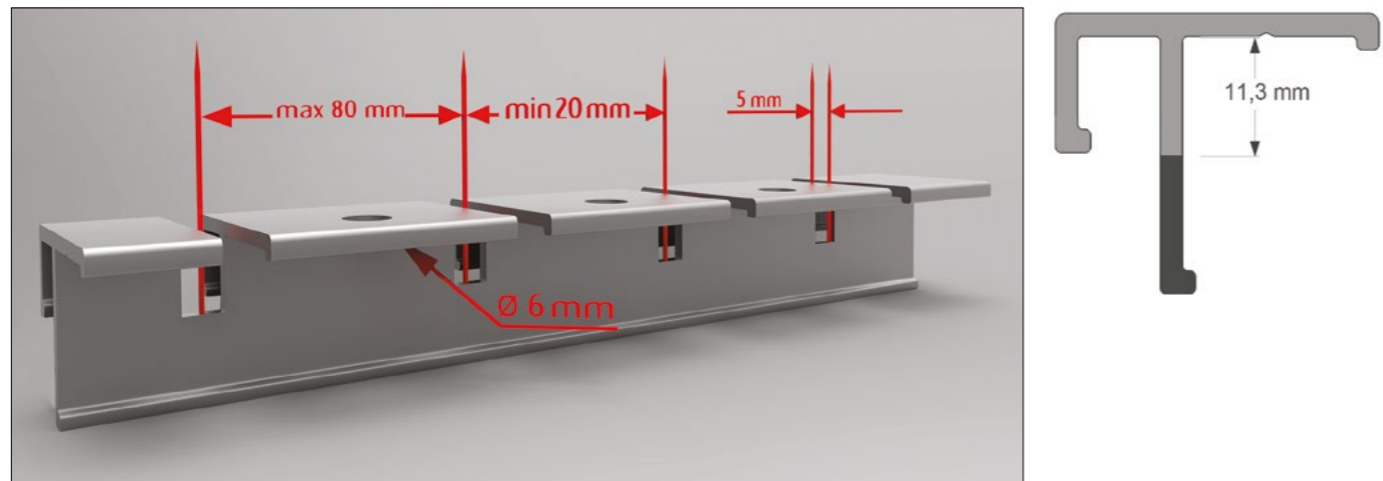


Pre-notched in the factory for easy adaptation on site to rounded and vaulted shape vertically



Pre-notched in the factory for easy adaptation on site to rounded and vaulted shape horizontally

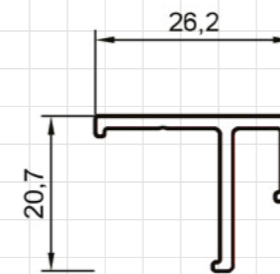


Feel free to contact in case any questions: [info@vectadesign.com](mailto:info@vectadesign.com) | phone: +372 44 23 023 | fax: +372 43 70 339

# AL 02 S

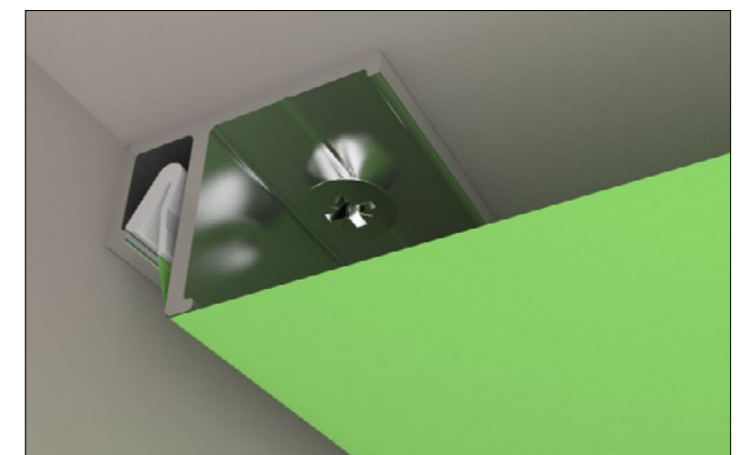
Aluminum profile, is available as anodized, white or black

## PROFILE REAL-SIZE DIMENSIONS

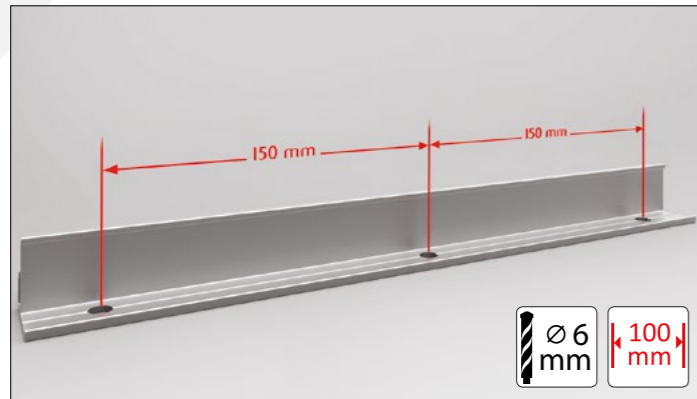


## DESCRIPTION

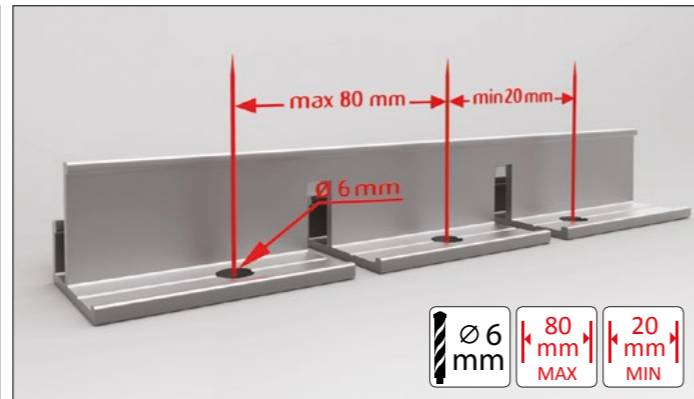
Profile is used without decoration strip for installing stretch ceilings to the ceiling and in certain cases to the wall creating the effect of the ceiling floating in the air. Anodized profile is recommended to use in the high humidity rooms. Recommended area for installation with this profile is up to 50m<sup>2</sup>. This profile visually reduces defects and irregularities of the walls by 1-2,5 mm. The ceiling benefits from extremely pure lines, without visible tracks.



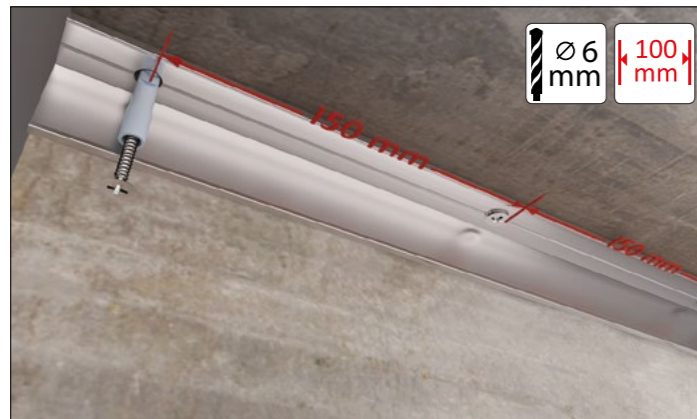
Feel free to contact in case any questions: [info@vectadesign.com](mailto:info@vectadesign.com) | phone: +372 44 23 023 | fax: +372 43 70 339



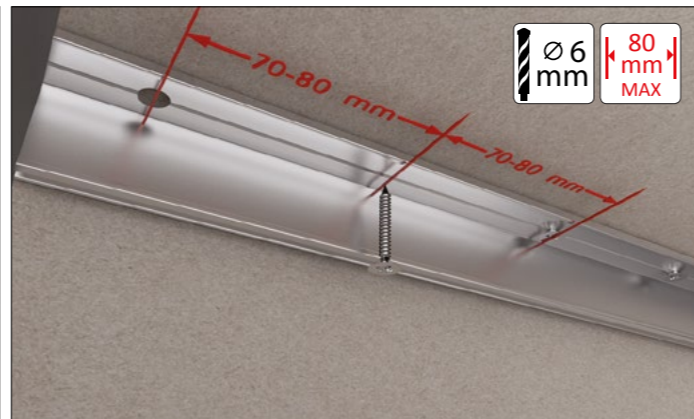
Fastening the profile to the straight line



Pre-notched in the factory for easy adaptation on site to rounded and vaulted shapes

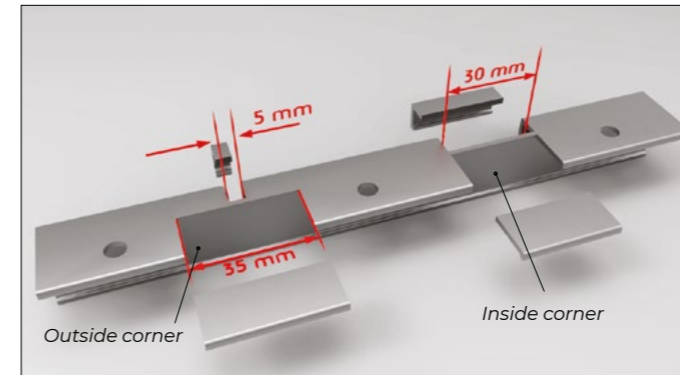


Fastening the profile to the concrete ceiling

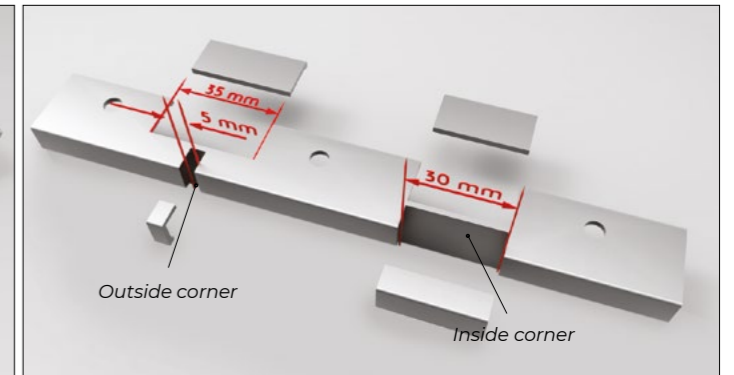


Fastening the profile to the plasterboard ceiling

### CUTTING PROFILE CORNERS

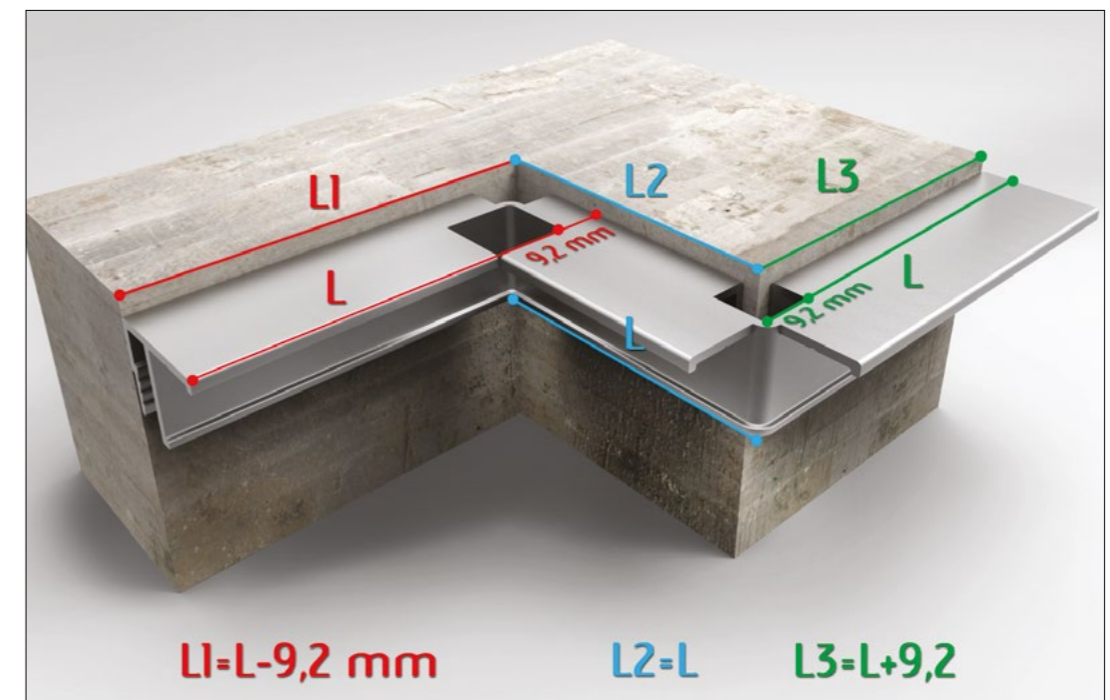


Outside corner



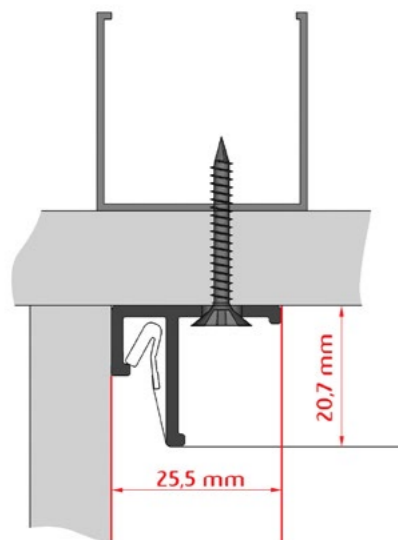
Outside corner

Inside corner

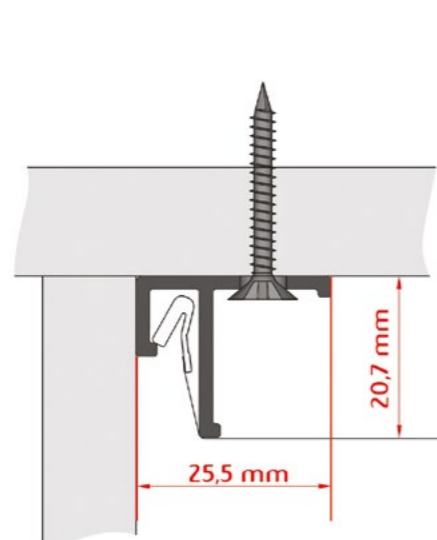


### FASTENING THE PROFILE TO THE METAL FRAMEWORK AND PLASTERBOARD

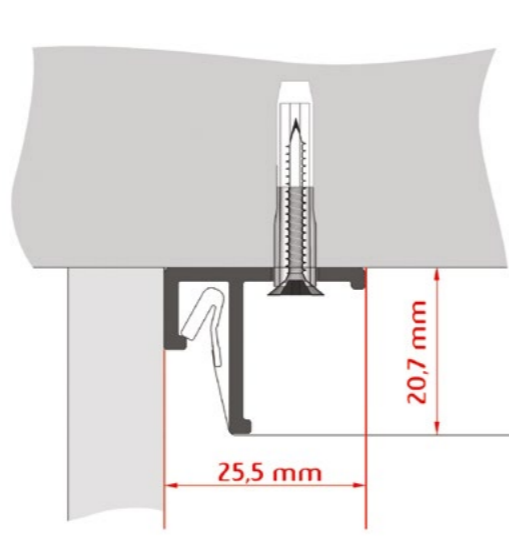
Fastening the profile to the metal framework and plasterboard



Fastening the profile to the hollow plasterboard construction without reinforcement



Fastening the profile to the concrete and brick walls



Fastening the profile to the metal framework and plasterboard wall

