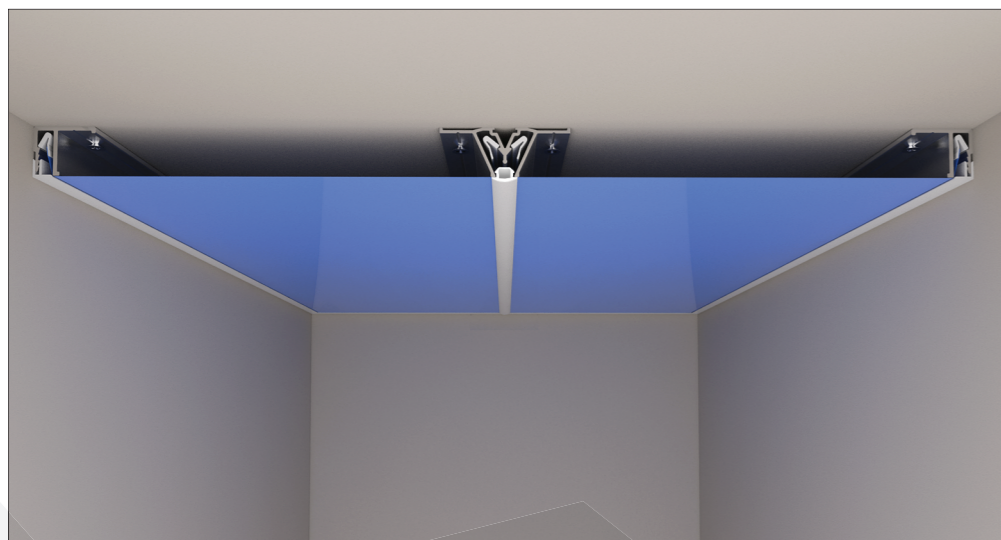
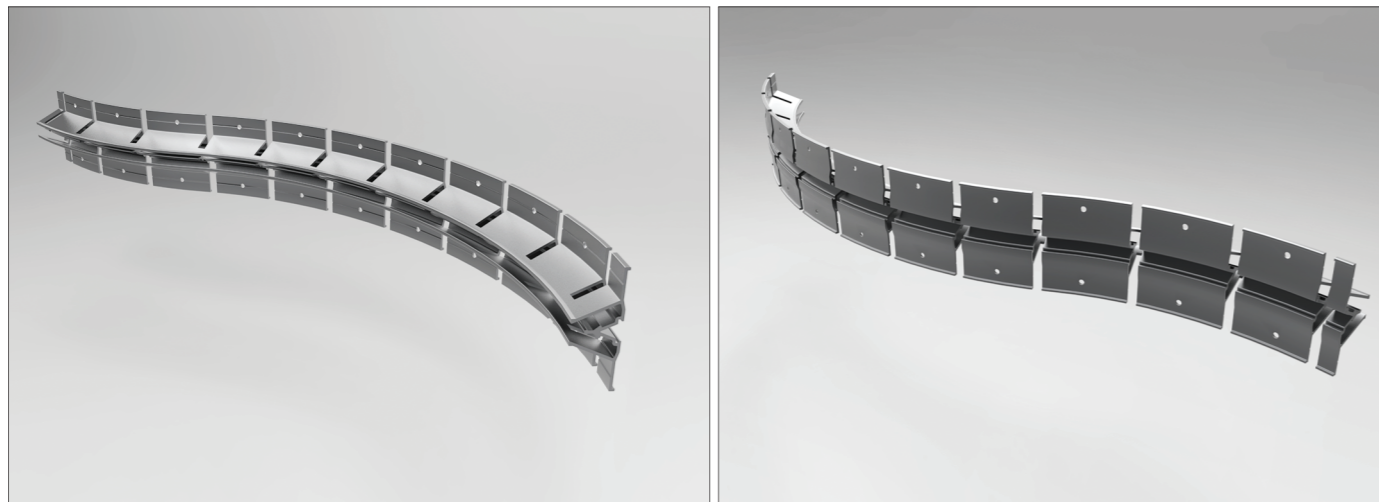
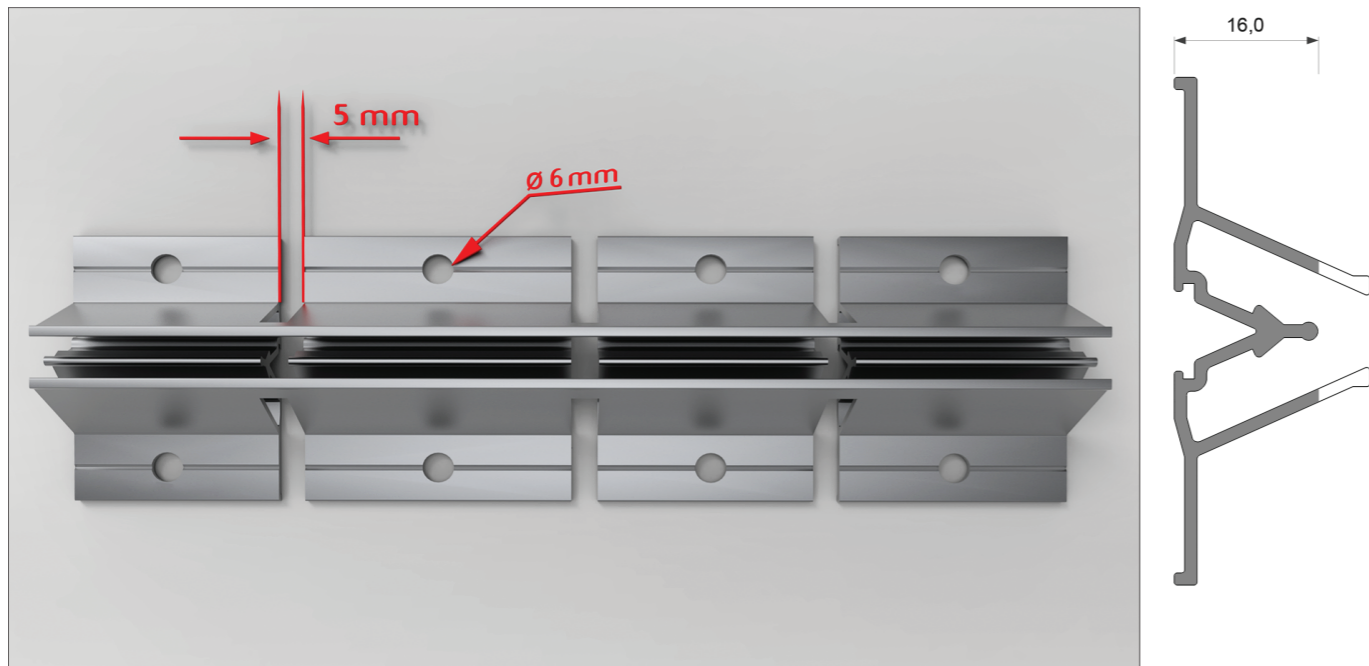
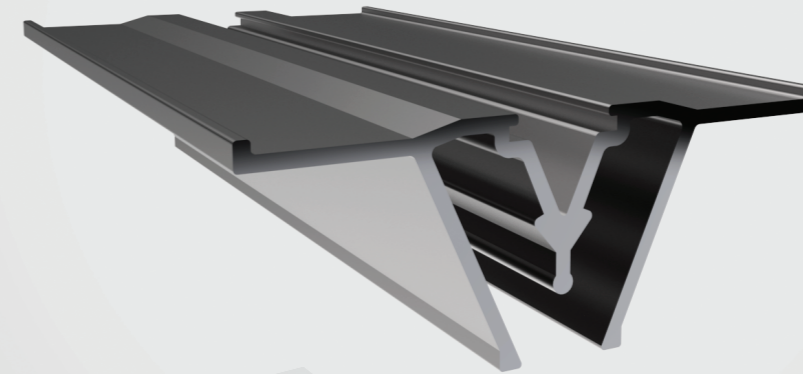


Pre-notched in the factory for easy adaptation on site to rounded and vaulted shape horizontally



Feel free to contact in case any questions: [info@vectadesign.com](mailto:info@vectadesign.com) | phone: +372 44 23 023 | fax: +372 43 70 339



**AL 03**

Aluminum separator.

The profile can be ordered also as anodized or black finish (3m long) versions.

## OBJECTS DONE WITH THIS PROFILE



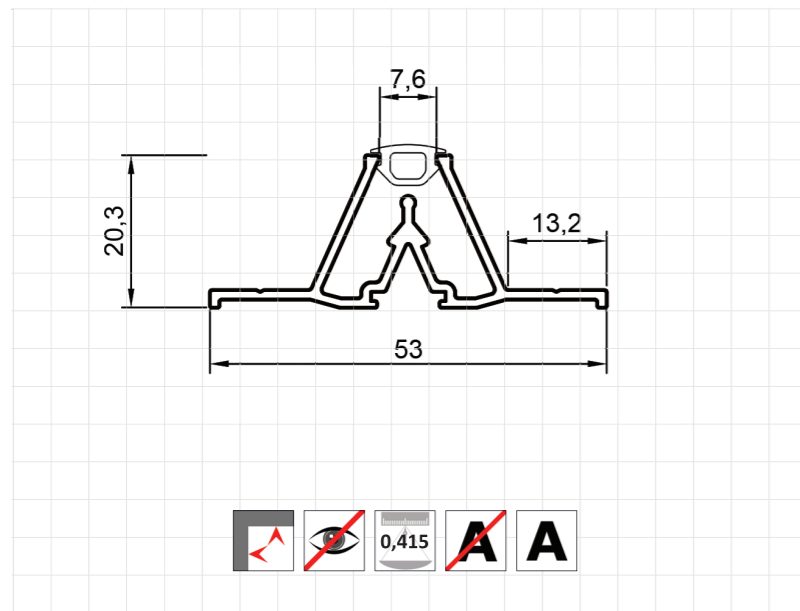
Estonia Resort hotel & Spa Estonia / Pärnu Installer: Vecta Design

## DESCRIPTION

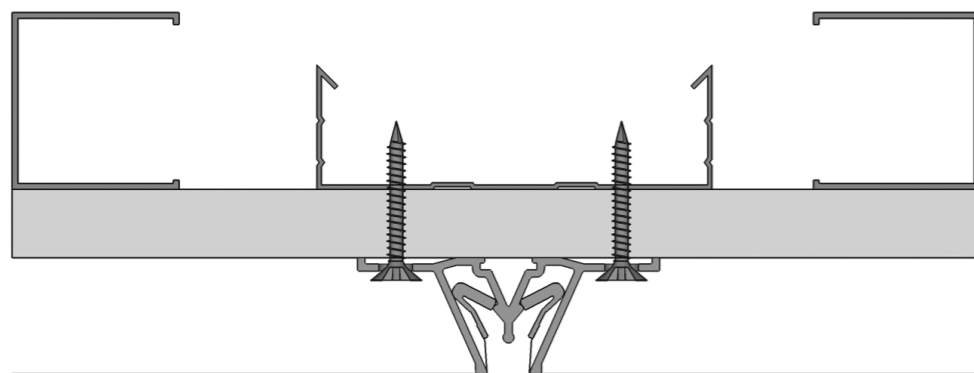
Profile is used for installing a stretch ceiling to the wall and ceiling. Used to divide the grand areas of the ceiling to the segments, and for the two-level ceilings. Recommended area for installation with this profile is up to 50 m<sup>2</sup>. Using the profile as a ceiling divisor: Ceilings have to be ordered simultaneously, as there can be tone difference of various film lots. If there will be a time gap between the orders, production might use another roll for the order. Multiple ceilings in the same room must be ordered together.

Feel free to contact in case any questions: [info@vectadesign.com](mailto:info@vectadesign.com) | phone: +372 44 23 023 | fax: +372 43 70 339

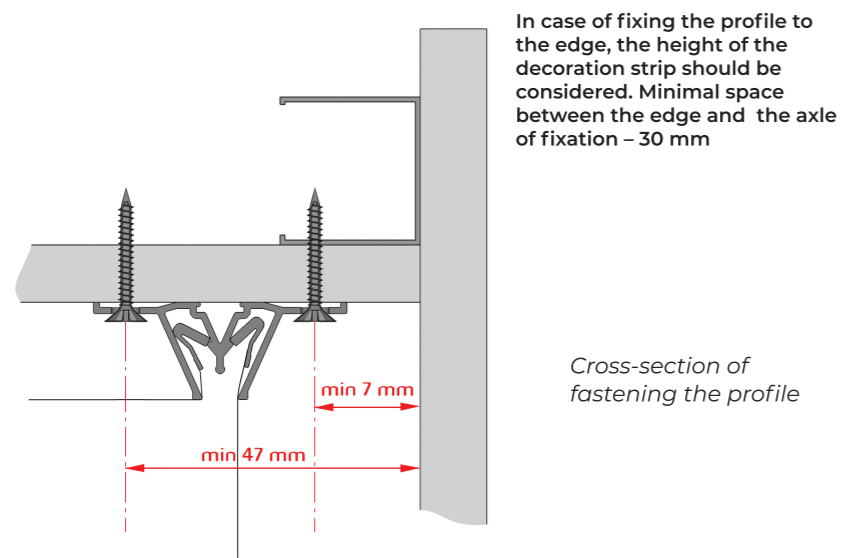
PROFILE REAL-SIZE DIMENSIONS



FASTENING THE PROFILE TO THE METAL FRAMEWORK AND PLASTERBOARD

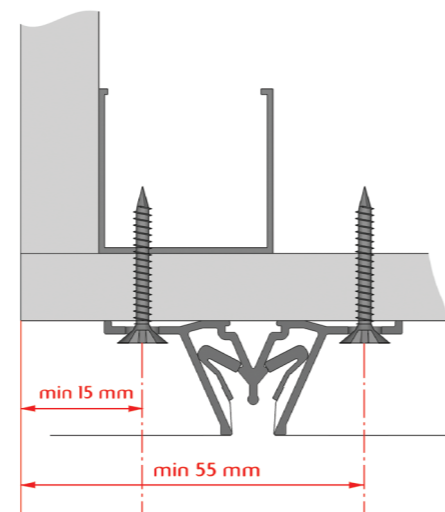


Cross-section of fastening the profile

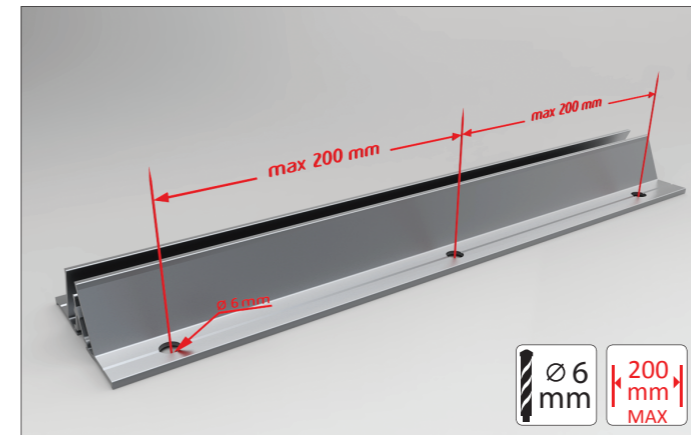


In case of fixing the profile to the edge, the height of the decoration strip should be considered. Minimal space between the edge and the axle of fixation - 30 mm

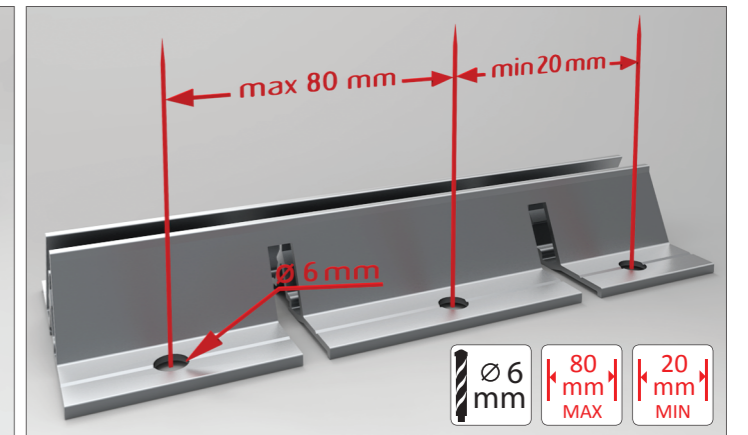
Cross-section of fastening the profile



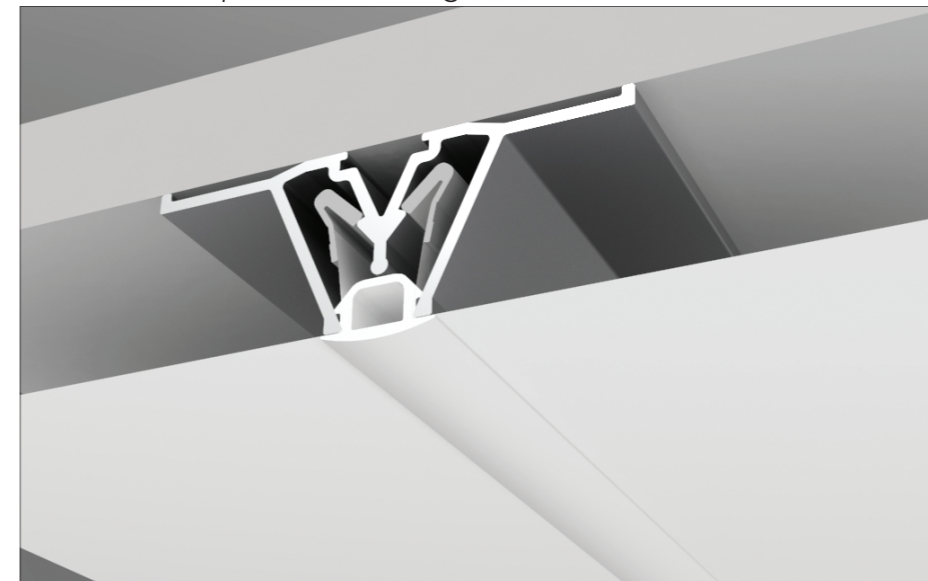
Fastening the profile to the straight lined surface



Pre-notched in the factory for easy adaptation on site to rounded and vaulted shape

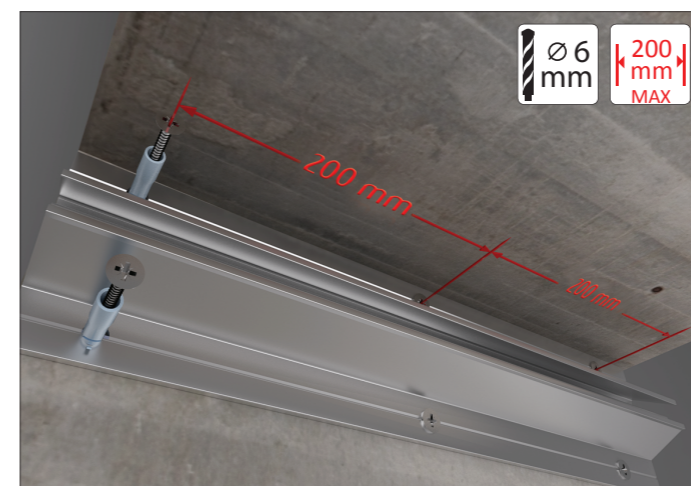


Decoration strip PC 04W in usage



MOUNTING PROFILE AL 03

Fastening the profile to the concrete wall or ceiling



Fastening the profile to the plasterboard wall or ceiling

