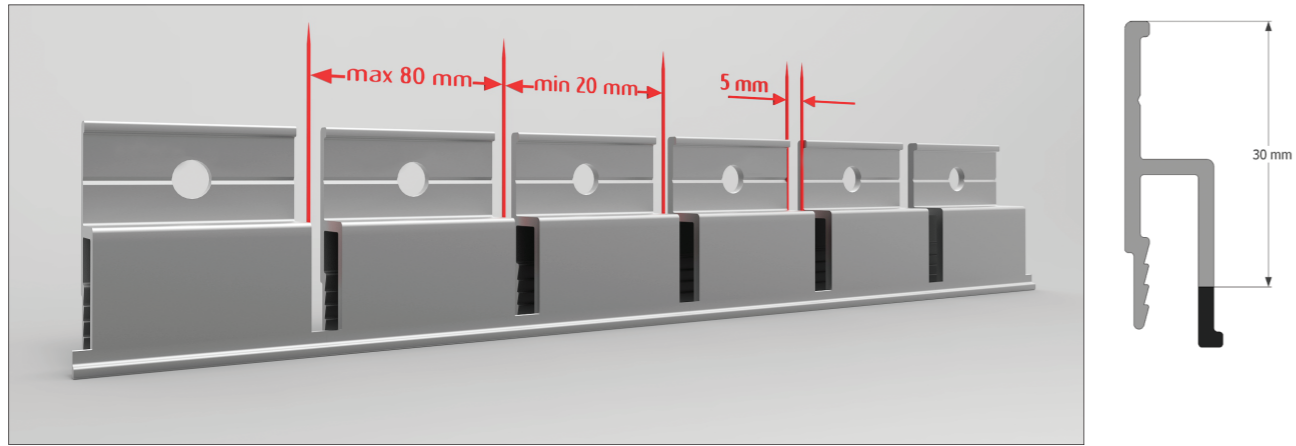
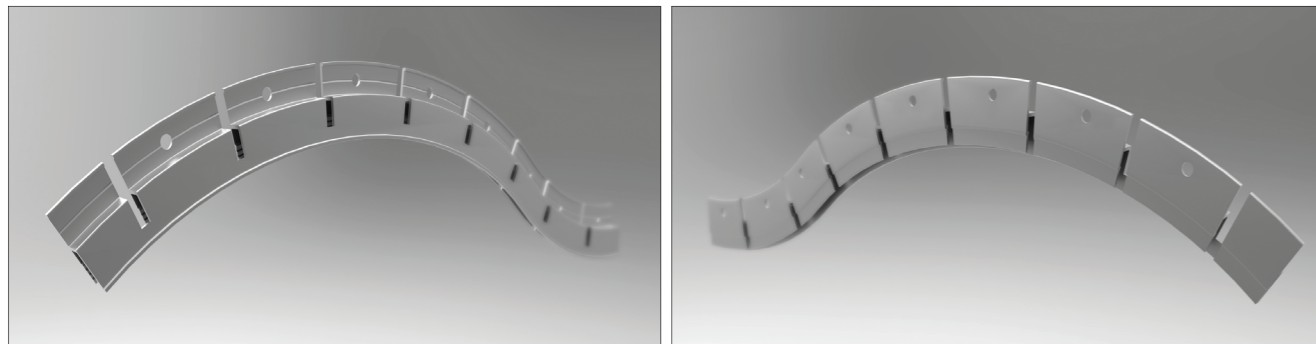


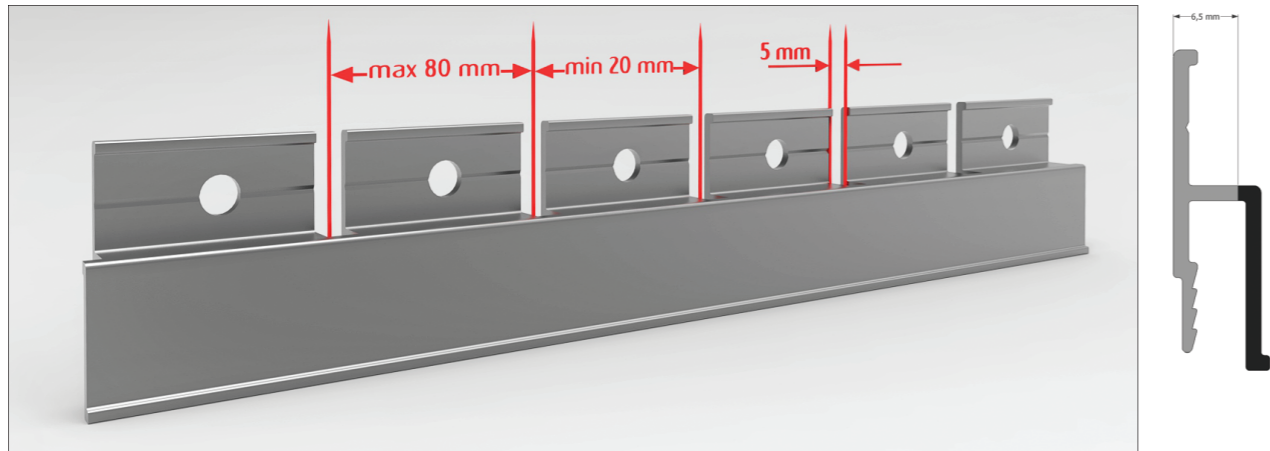
Pre-notched in the factory for easy adaptation on site to rounded and vaulted shape horizontally



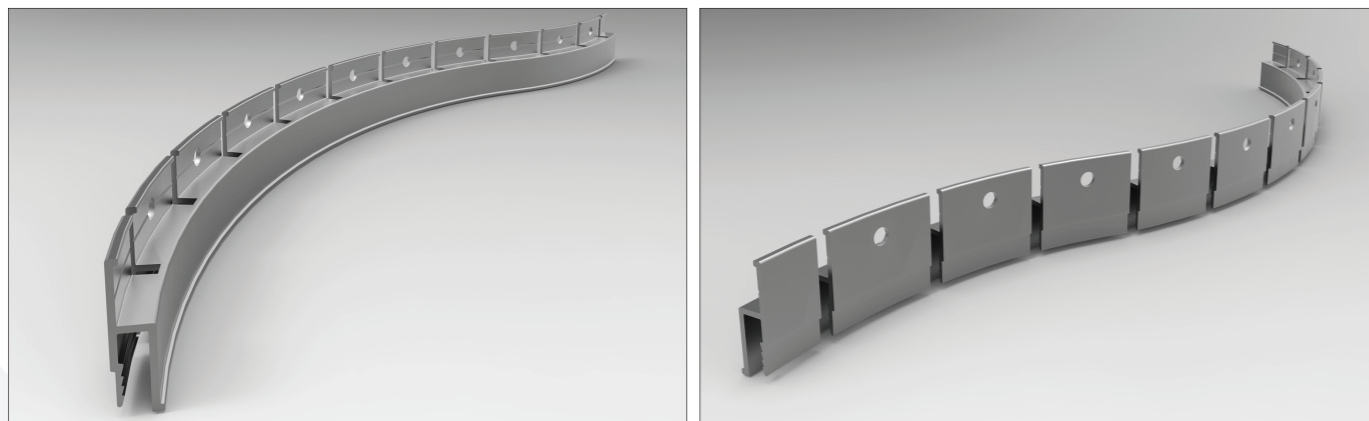
∅ 6 mm	80 mm MAX	20 mm MIN	5 mm MAX
--------	-----------	-----------	----------



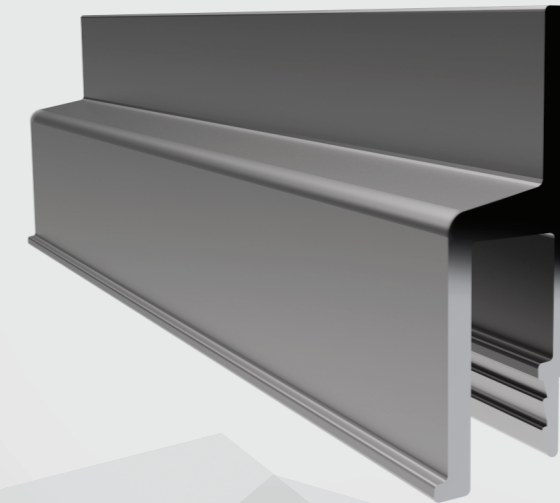
Pre-notched in the factory for easy adaptation on site to rounded and vaulted shape horizontally



∅ 6 mm	80 mm MAX	20 mm MIN	5 mm MAX
--------	-----------	-----------	----------



Feel free to contact in case any questions: info@vectadesign.com | phone: +372 44 23 023 | fax: +372 43 70 339



AL 04

Basic profiles

AL 04

Aluminum wall profile used with decoration strip

DESCRIPTION

Profile is used with decoration strip for installing stretch ceilings to the wall. Recommended area for installation with this profile is up to 50m².

OBJECTS DONE WITH THIS PROFILE



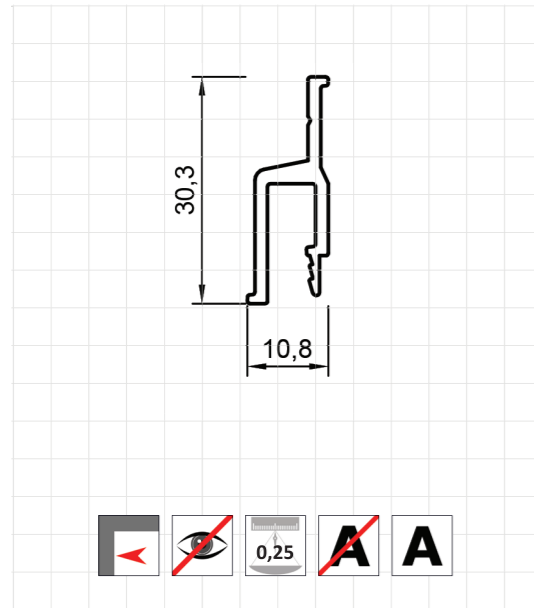
Hotel Viking SPA & Wellness
Estonia / Pärnu
Installer: Vecta Design



Eesden Shopping Mall
Estonia / Tartu
Installer: Vecta Design

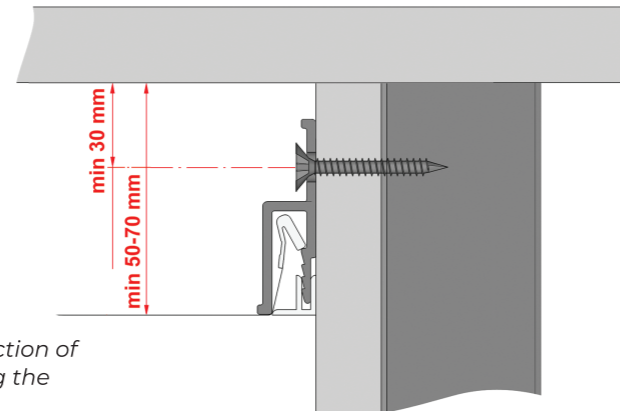
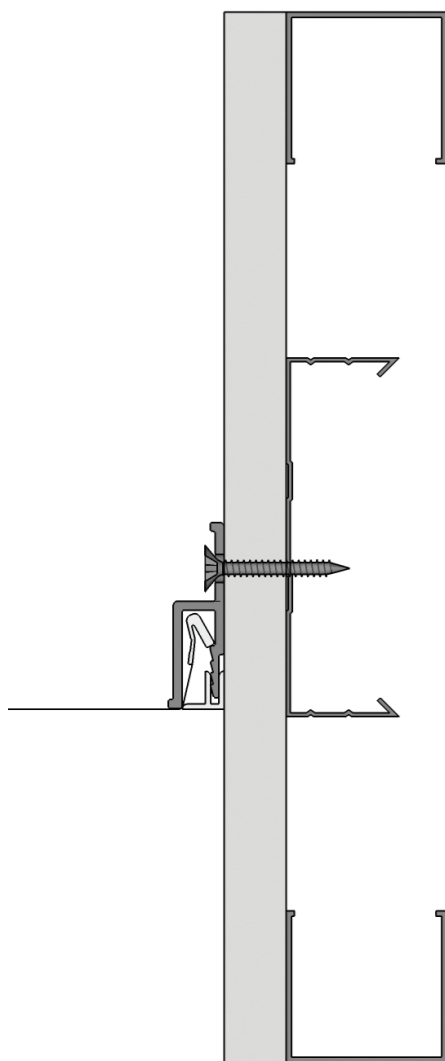
Feel free to contact in case any questions: info@vectadesign.com | phone: +372 44 23 023 | fax: +372 43 70 339

PROFILE REAL-SIZE DIMENSIONS



Used with decoration strip PC 03W

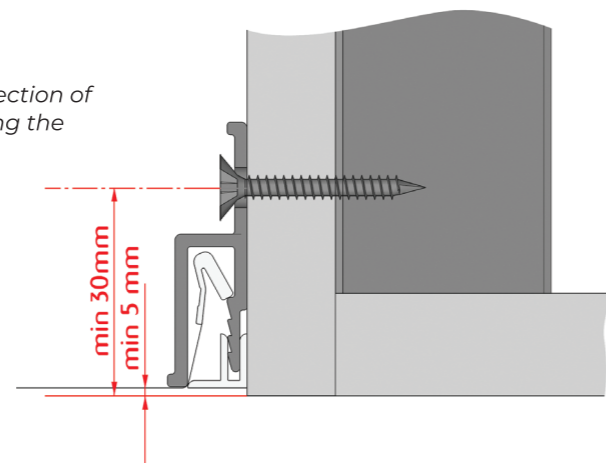
FASTENING THE PROFILE TO THE METAL FRAMEWORK AND PLASTERBOARD



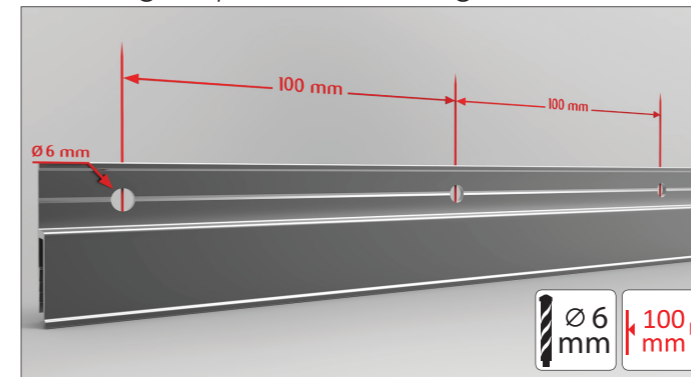
Cross-section of fastening the profile

In case of fixing the profile to the edge, the height of the decoration strip should be considered. Minimal space between the edge and the axle of fixation - 30 mm

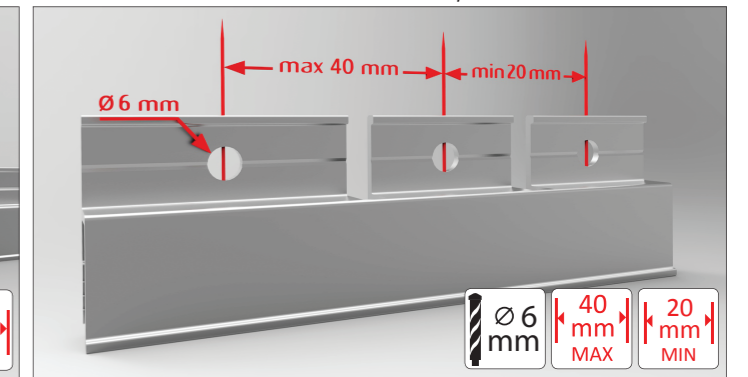
Cross-section of fastening the profile



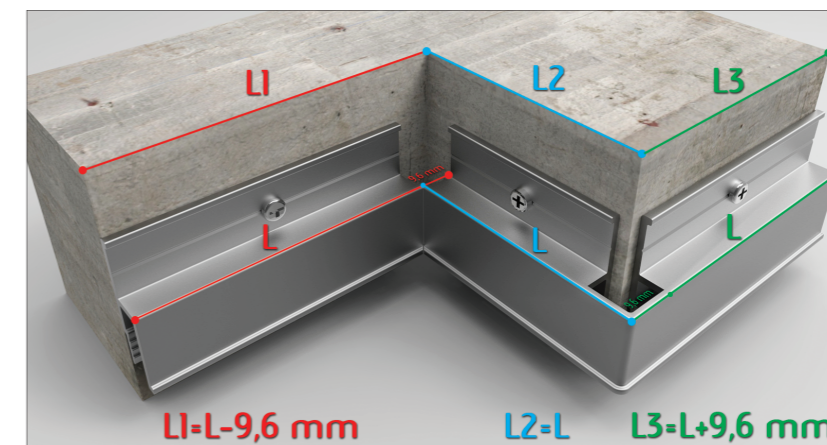
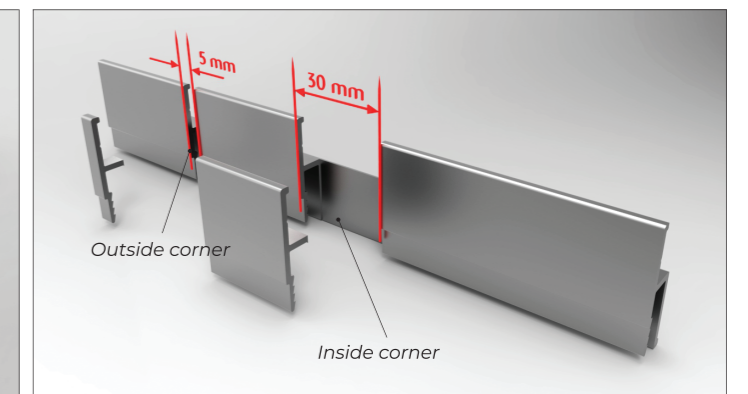
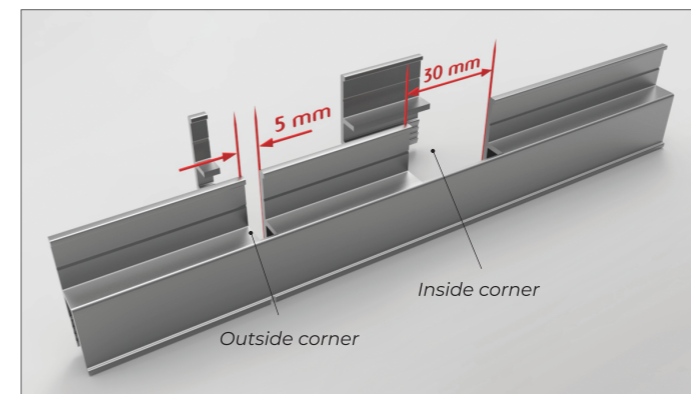
Fastening the profile to the straight lined surface



Pre-notched in the factory for easy adaptation on site to rounded and vaulted shape

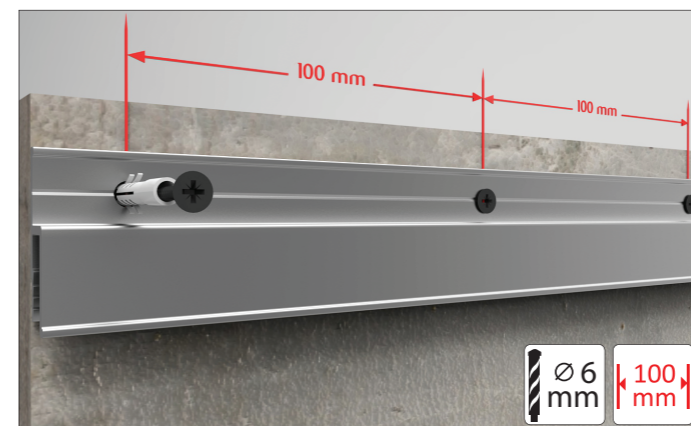


CUTTING PROFILE CORNERS



MOUNTING PROFILE AL 04

Fastening the profile to the concrete wall or ceiling



Fastening the profile to the plasterboard wall or ceiling

