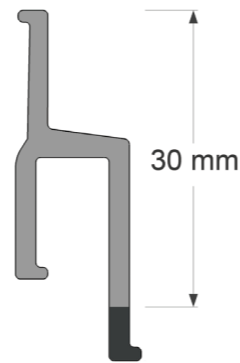
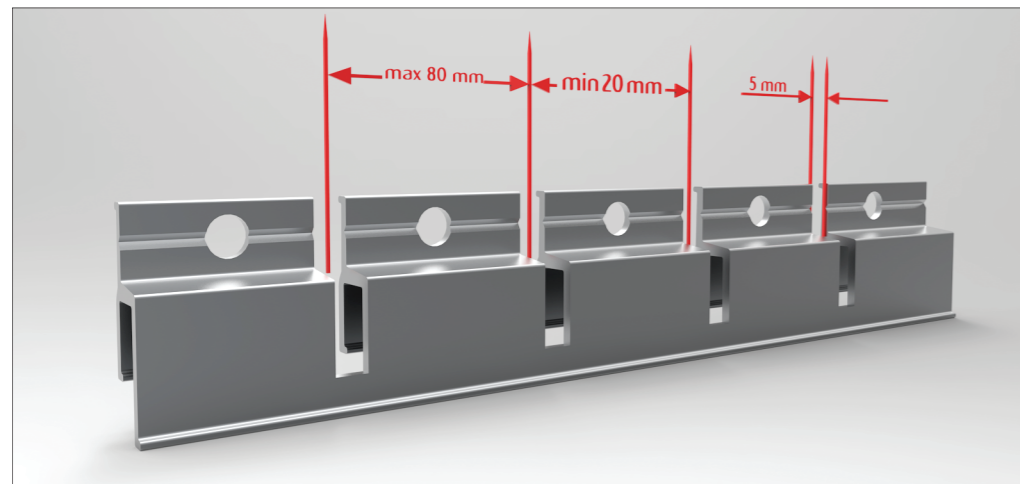
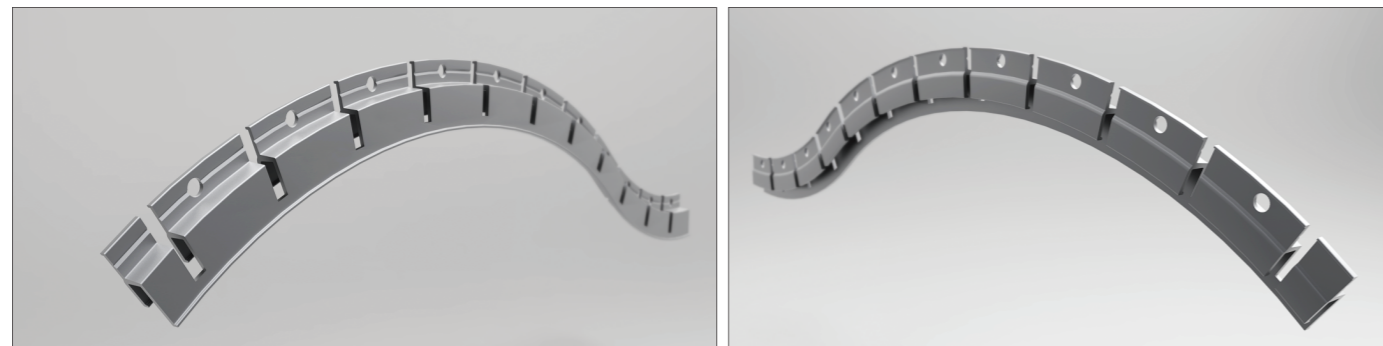


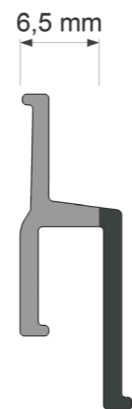
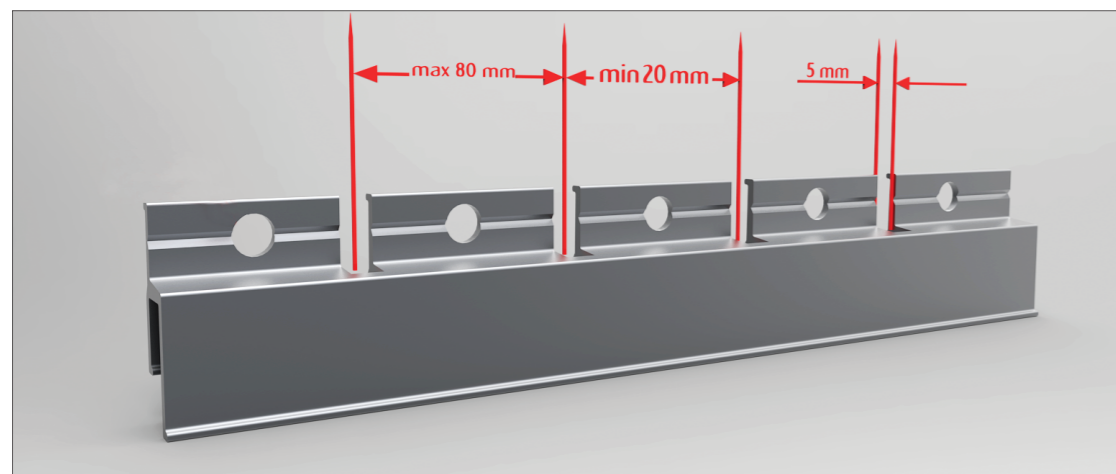
Pre-notched in the factory for easy adaptation on site to rounded and vaulted shape vertically



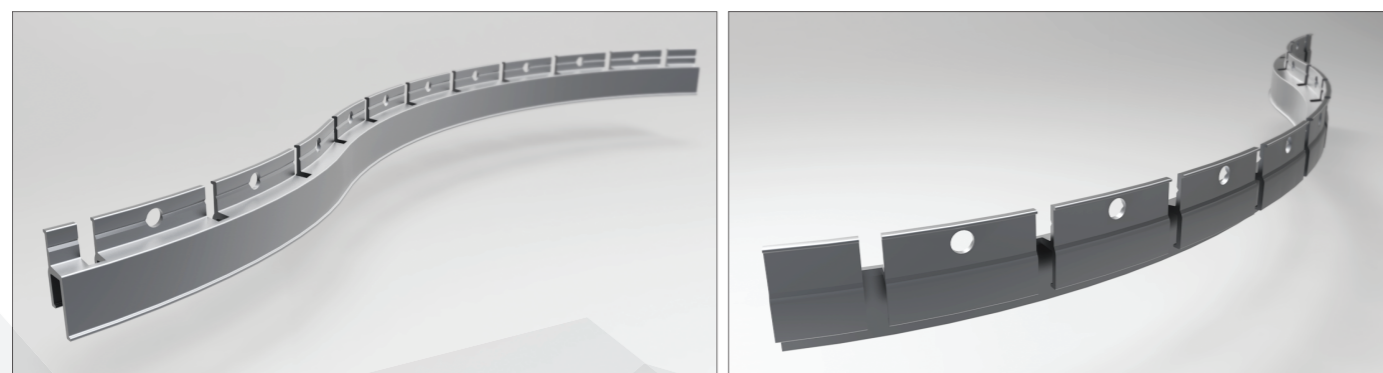
Ø 6 mm	80 mm MAX	20 mm MIN	5 mm MAX
--------	-----------	-----------	----------



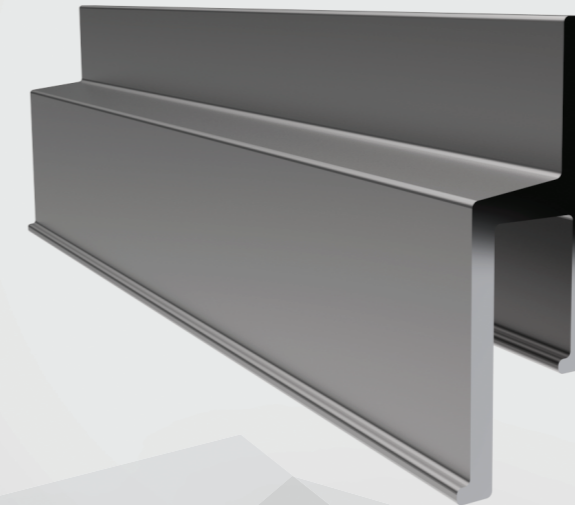
Pre-notched in the factory for easy adaptation on site to rounded and vaulted shape horizontally



Ø 6 mm	80 mm MAX	20 mm MIN	5 mm MAX
--------	-----------	-----------	----------



Feel free to contact in case any questions: info@vectadesign.com | phone: +372 44 23 023 | fax: +372 43 70 339



AL 05

Basic profiles

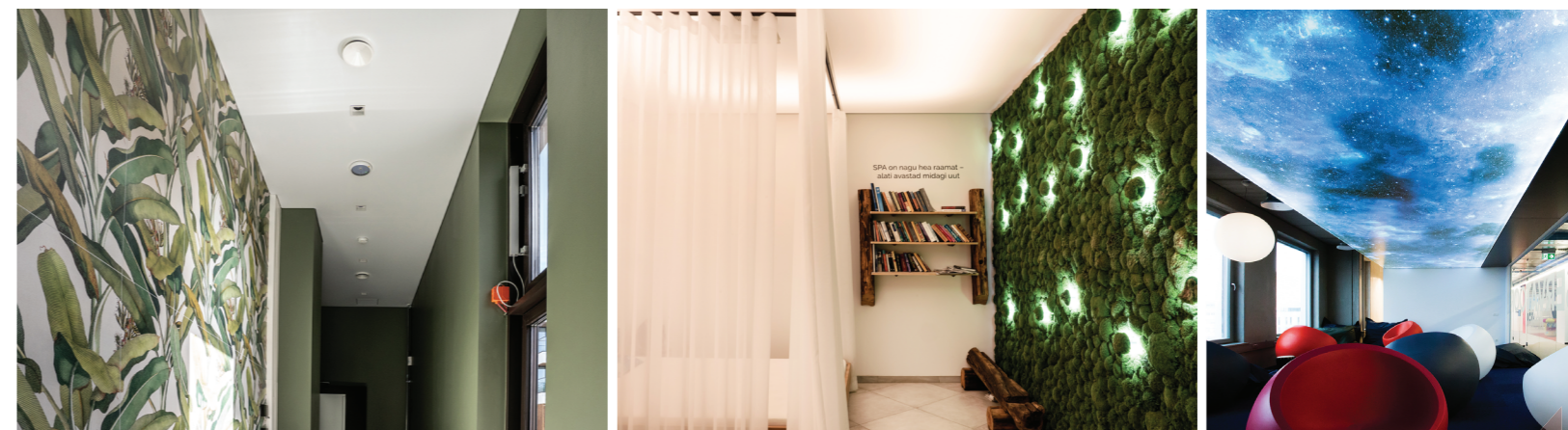
AL 05

Aluminum wall profile used without decoration strip

DESCRIPTION

Profile is used without decoration strip for installing stretch ceiling to the wall. Recommended area with this profile is up to 50 m². Given profile visually reduces the defects and irregularities of the walls by 1-2,5 mm. The ceiling benefits from extremely pure lines, without visible tracks.

OBJECTS DONE WITH THIS PROFILE



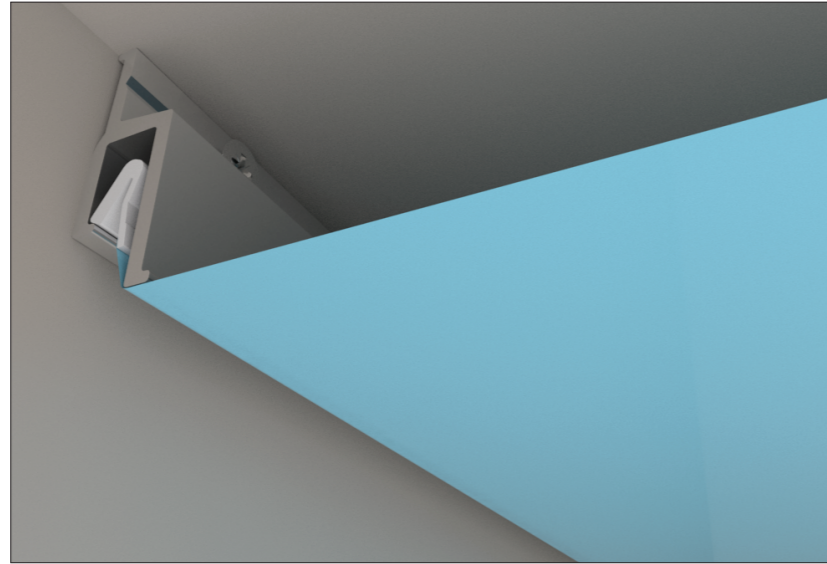
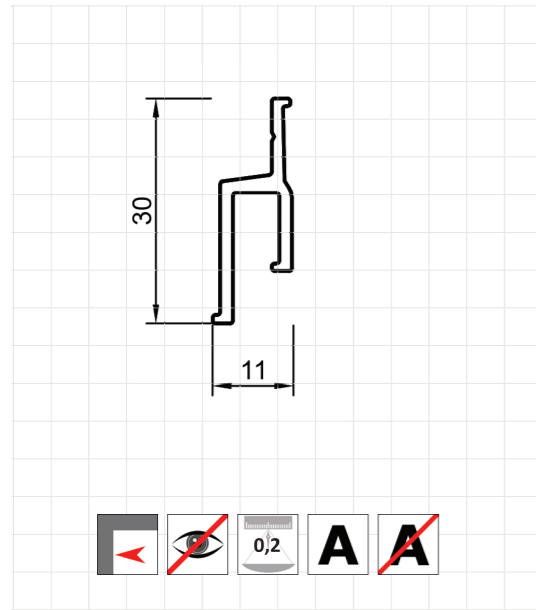
Wasa Hotel & Spa
Estonia / Pärnu
Installer: Vecta Design

Elamus Spa
Estonia / Tallinn
Installer: Vecta Design

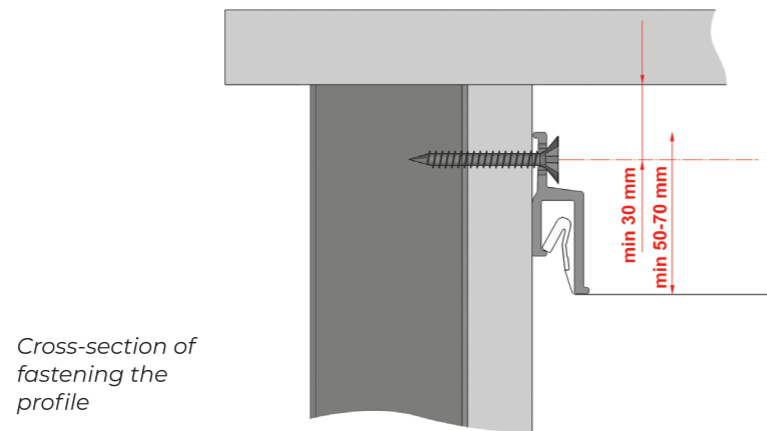
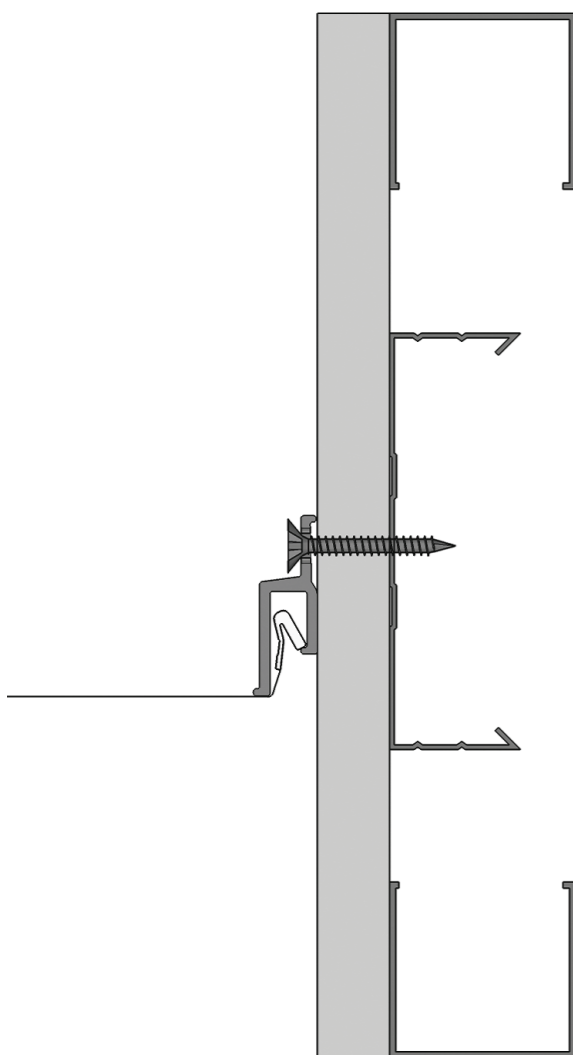
Transferwise office
Estonia / Tallinn
Installer: Vecta Design

Feel free to contact in case any questions: info@vectadesign.com | phone: +372 44 23 023 | fax: +372 43 70 339

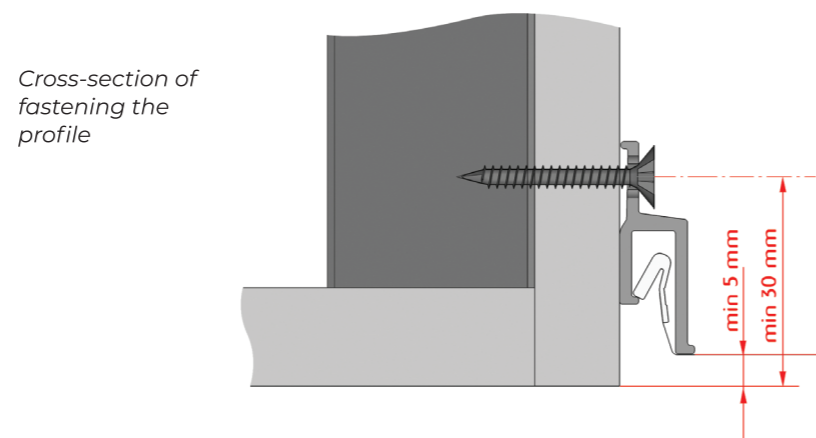
PROFILE REAL-SIZE DIMENSIONS



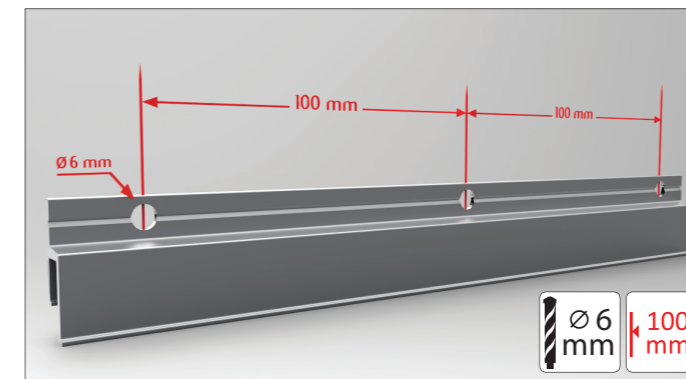
FASTENING THE PROFILE TO THE METAL FRAMEWORK AND PLASTERBOARD



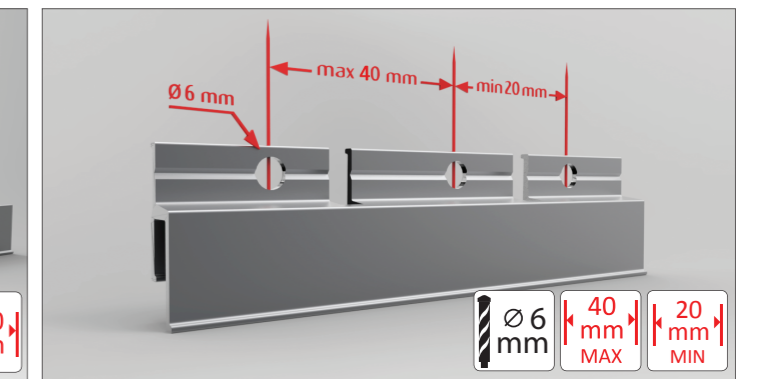
In case of fixing the profile to the edge, the height of the decoration strip should be considered. Minimal space between the edge and the axle of fixation - 30 mm



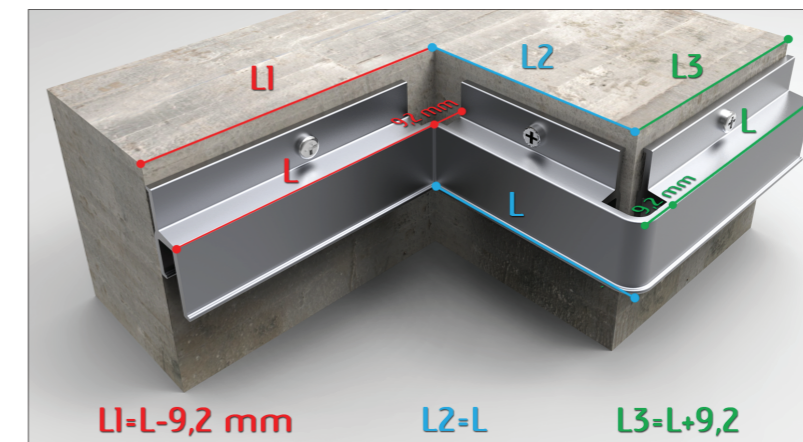
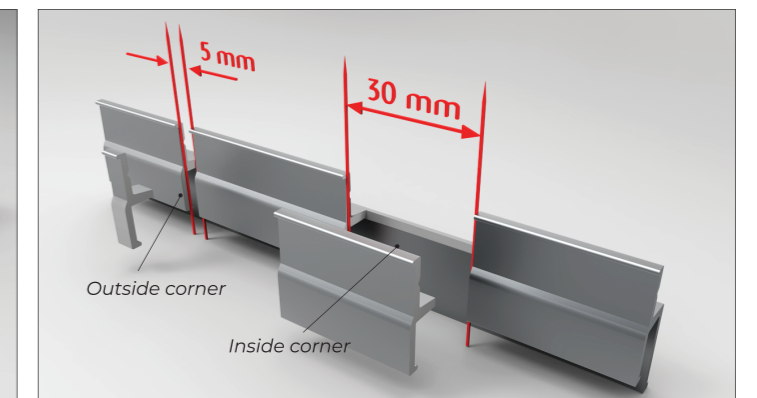
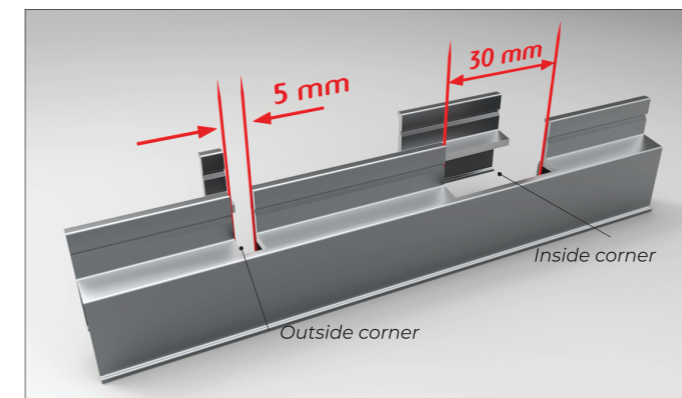
Fastening the profile to the straight lined surface



Pre-notched in the factory for easy adaptation on site to rounded and vaulted shape

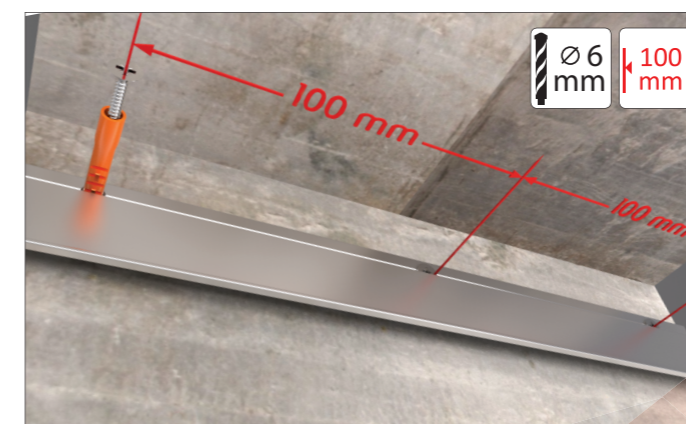


CUTTING PROFILE CORNERS



MOUNTING PROFILE AL 05

Fastening the profile to the concrete wall or ceiling



Fastening the profile to the plasterboard wall or ceiling

