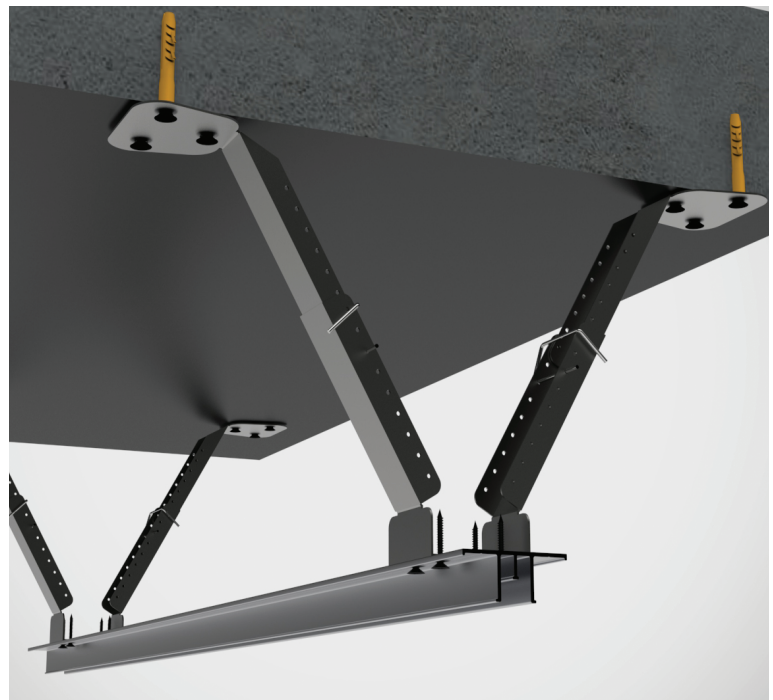
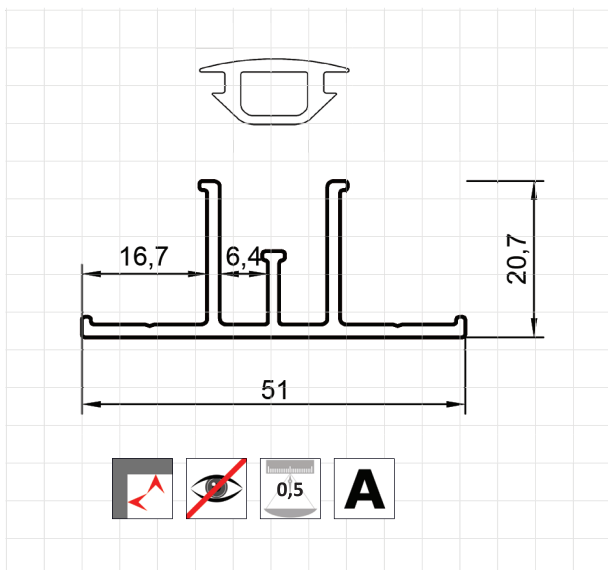


AL 07-A

Aluminum straight separator

PROFILE REAL-SIZE DIMENSIONS



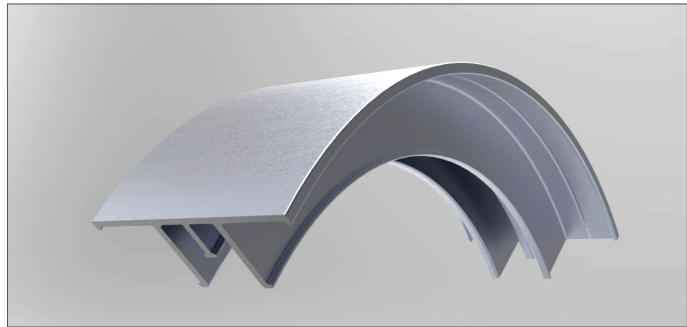
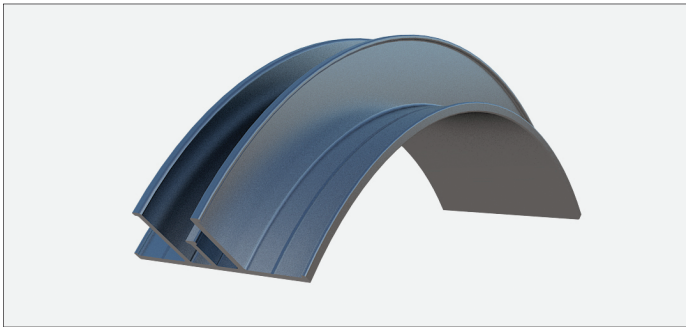
Installation of profile to the base ceiling using Vecta Design support ceiling system

DESCRIPTION

Separator is used for installing stretch ceilings to the wall or ceiling. Used for dividing grand surfaces of the ceiling to segments, and for passage to the second level, creation of the 3D shapes (arc, grotto, dome, and wave). Recommended area for installation with this profile is up to 50 m².

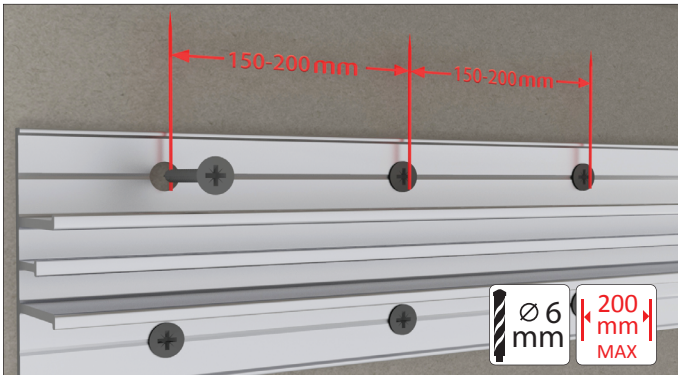
Using the profile as a ceiling divider: Ceilings have to be ordered simultaneously, as there can be tone difference of various film lots. If there will be a time gap between the orders, the production team might use another roll for the order. Multiple ceilings in the same room must be ordered together.

BENDING OF PROFILE

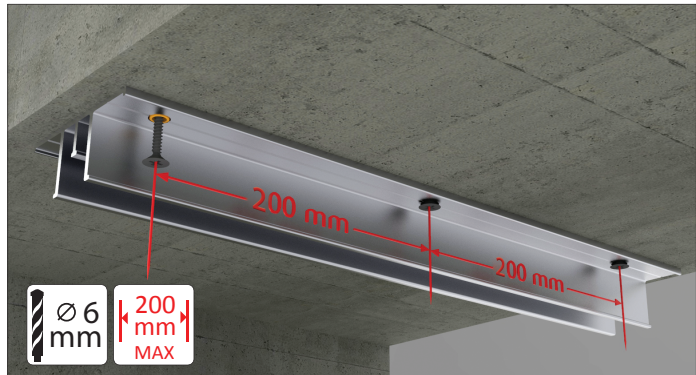


Bended in the factory aluminium profile AL 07-A for easy adaptation on site to rounded and vaulted shape

FIXING OF PROFILE

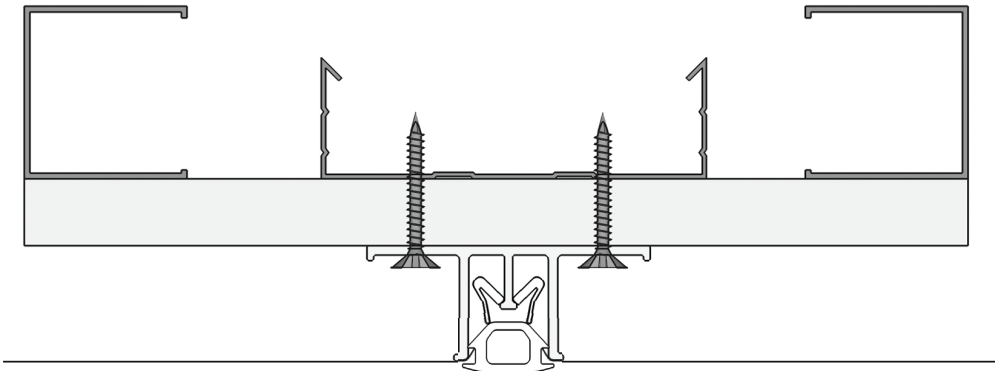


Fastening the profile to the plasterboard surface



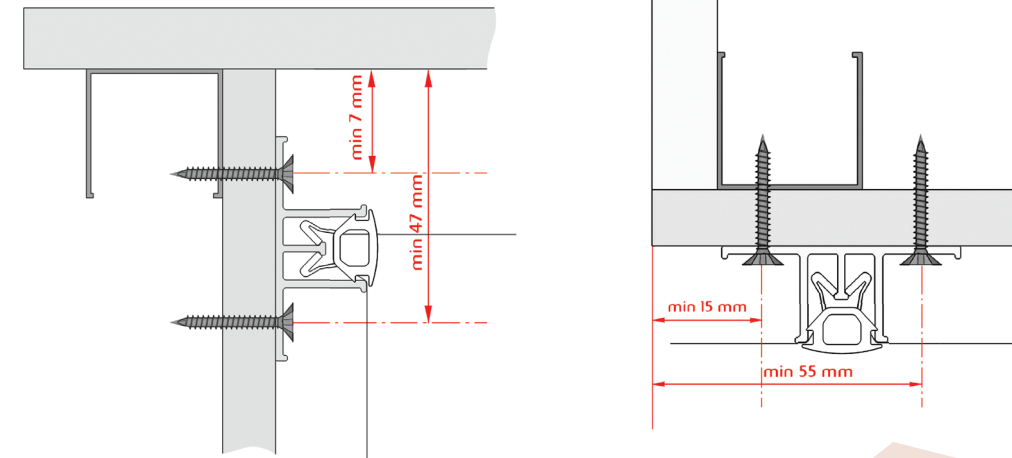
Fastening the profile to the concrete surface

FASTENING THE PROFILE TO THE METAL FRAMEWORK AND PLASTERBOARD



Cross-section of fastening the profile

In case of fixing the profile to the edge, the height of the decoration strip should be considered. Minimal space between the edge and the axle of fixation – 30 mm



Cross-section of fastening the profile