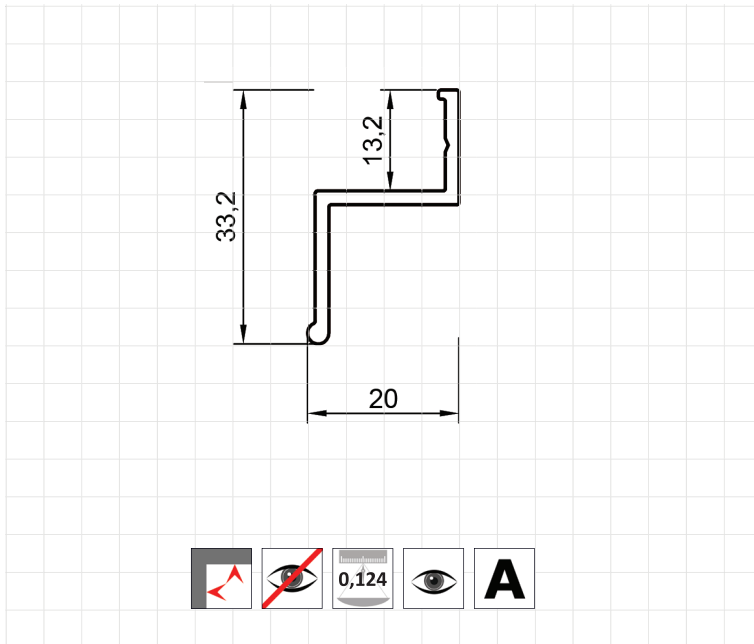


AL 10

Aluminum profile for installation of the second level.

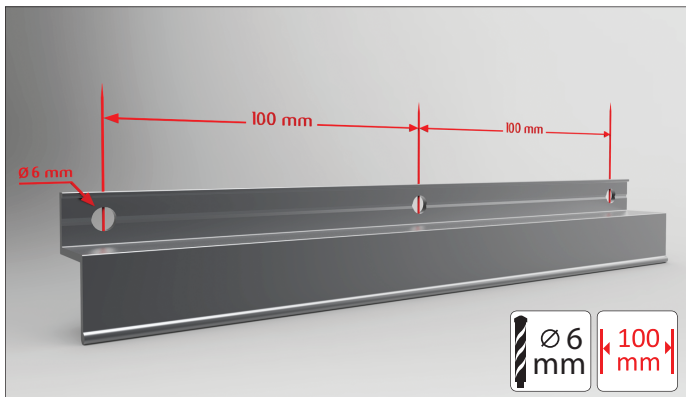
PROFILE REAL-SIZE DIMENSIONS



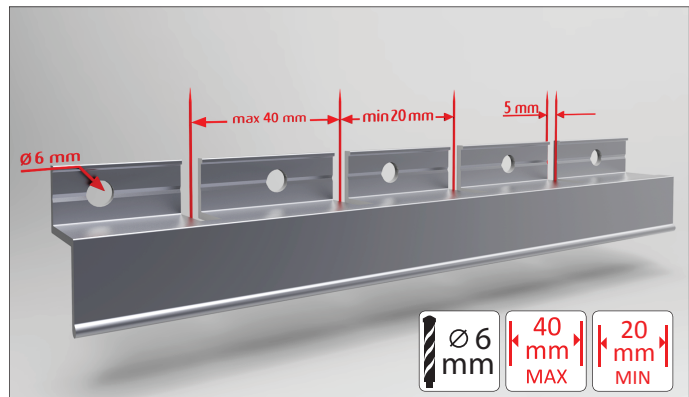
DESCRIPTION

Profile is used for creating curved 3D shapes in horizontal space. Easily connected with profiles AL01, AL02, AL03, AL05, AL07, and AL 11.

FASTENING THE PROFILE

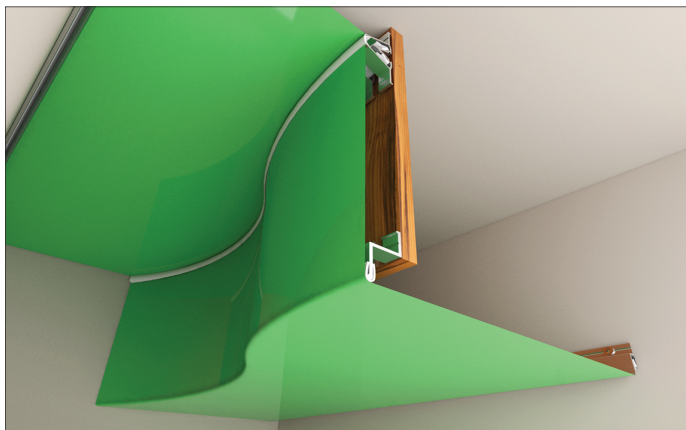
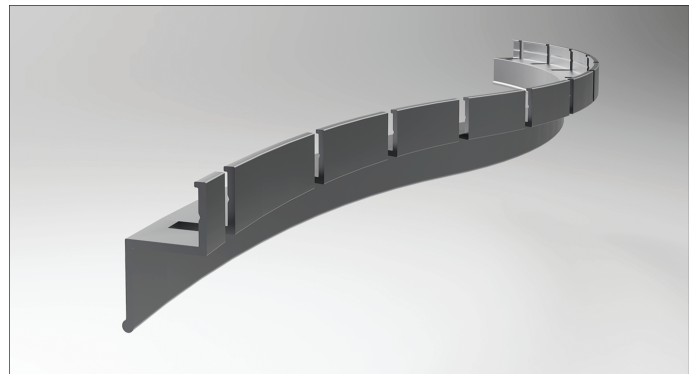
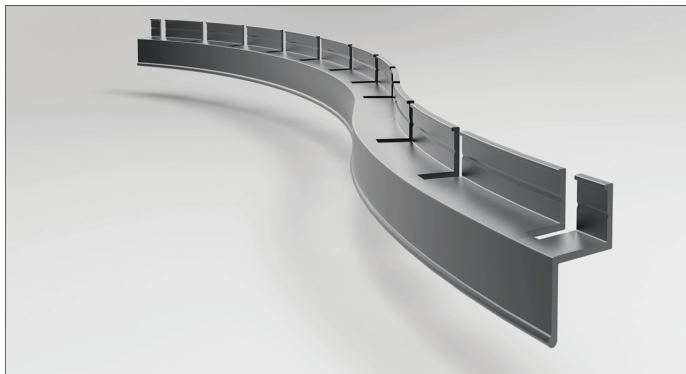


Fastening the profile to the straight surface

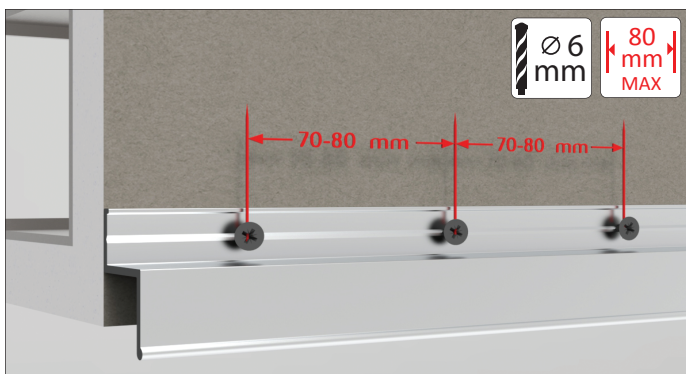


Pre-notched in the factory for easy adaptation on site to rounded and vaulted shape

BENDING THE PROFILE



Fastening the profile to the plasterboard ceiling



Fastening the profile to the concrete ceiling

