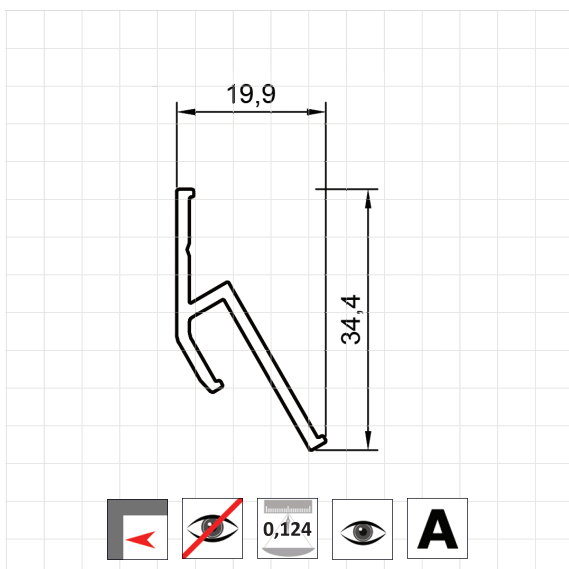


AL 11

Construction is used for connecting PVC film, on the outer angle of 90 degrees. It can be used as a separator.

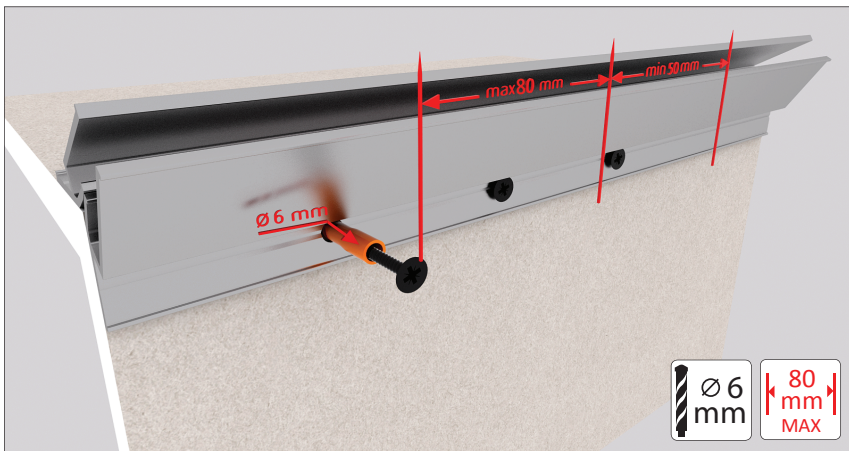
PROFILE REAL-SIZE DIMENSIONS



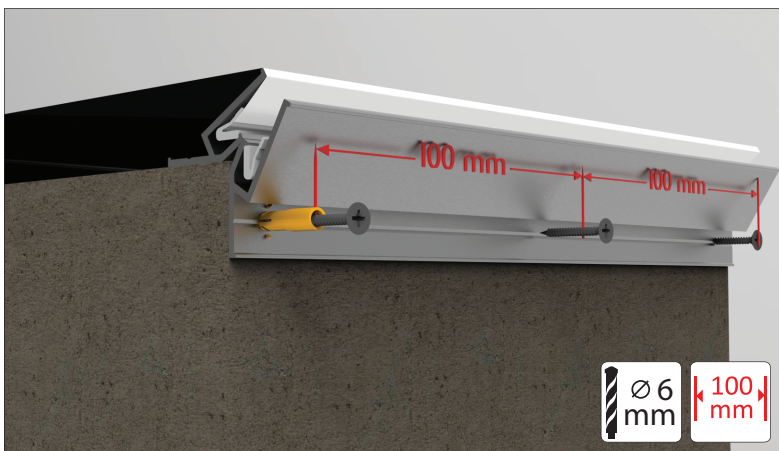
DESCRIPTION

The profile is suitable for creating divided zones of the stretch ceiling material and to create outstanding interior design, where different levels of the ceiling or walls can be covered with various materials.

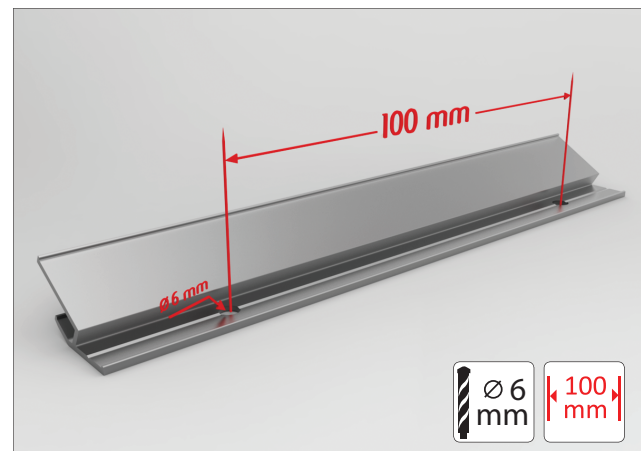
For the easy to use profile to be stably attached it needs to be fixed with screws after every 10 cm. When one would like to use the profile as a ceiling divider or create multiple ceilings in the same room, then it is important to order the ceilings at the same time as there can be slight color differences when comparing various stretch film batches.



Fastening the profile to the plasterboard



Fastening the profile to the concrete



Drilling of the holes for the profile fixing on the straight surfaces