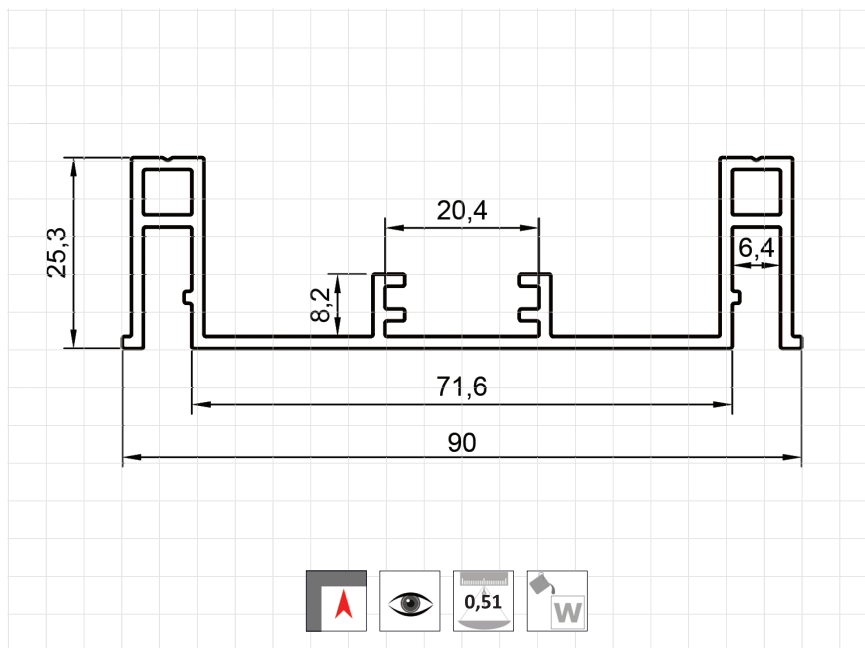


AL 12

Profile is used for installing stretch ceilings, used for the ceiling with cables.

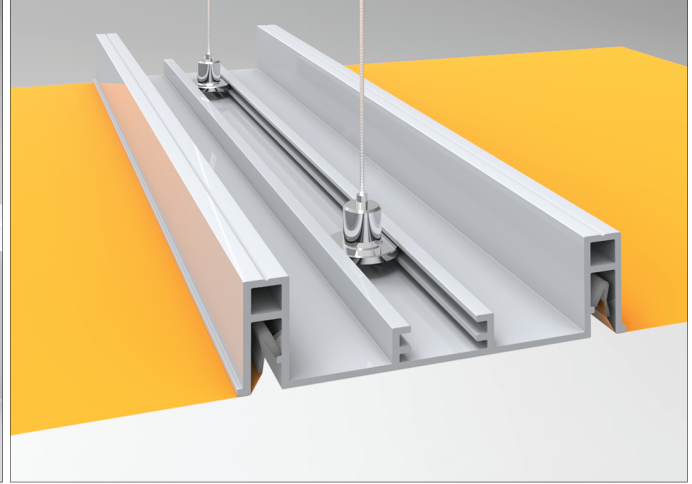
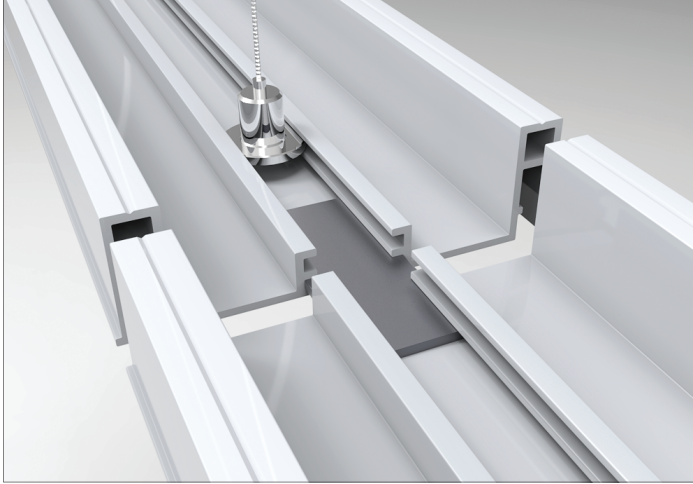
PROFILE REAL-SIZE DIMENSIONS



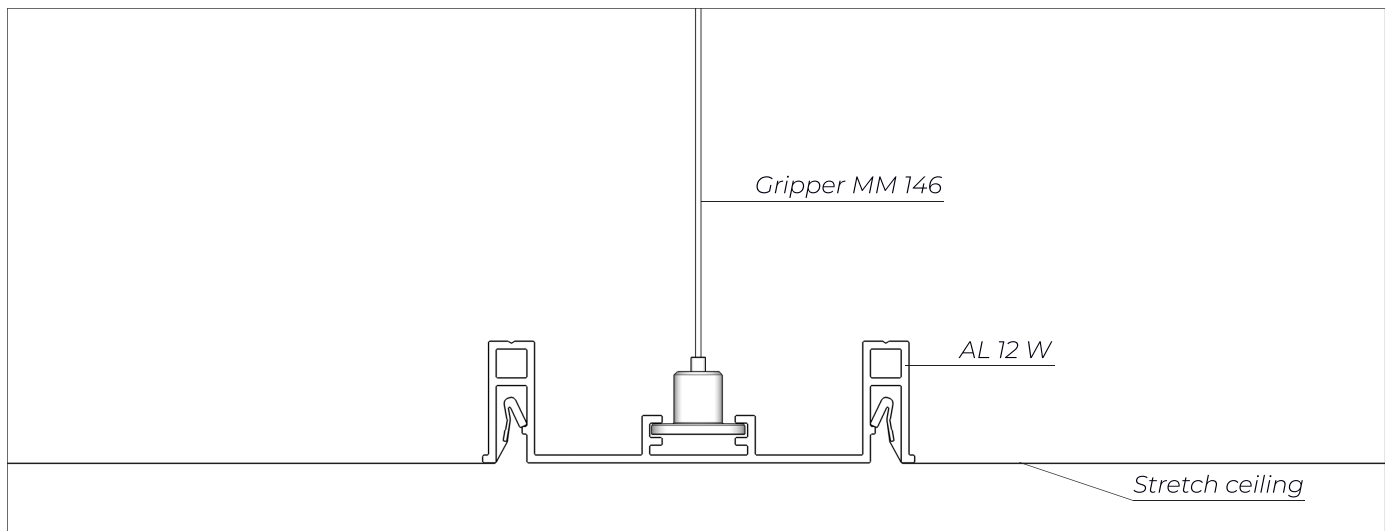
DISCRPTION

Profile is used for installing stretch ceilings in the rooms, where there are many cables and wires that need to be hidden inside the profile. It is suitable for dividing large ceiling areas, creating different zones, and installing lighting and other elements which require electrical cabling (such as lamps, fire detectors, etc). The recommended surface for the installation with this profile is up to 50 m². When using the profile as a ceiling divider then the ceilings have to be ordered simultaneously, as there can be tone difference in various stretch film batches. If there will be a time gap between the orders, production might use another roll to complete the order. Multiple ceilings in the same room must be ordered together.

CONNECTING PROFILES BY THE LENGTH



Aluminum bar 20x2 for connection of profile AL 12



Sprinklers can be built into Vecta Design stretch ceilings using suitable techniques according to applicable standards.

