

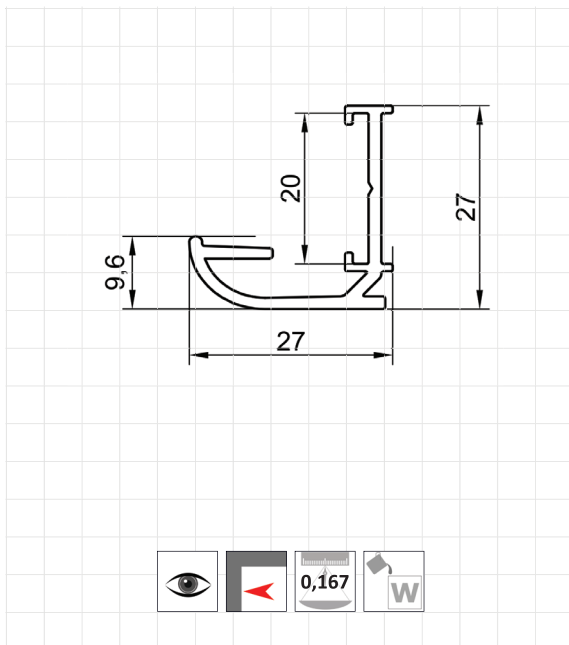


AL 13

Used with visible harpoon

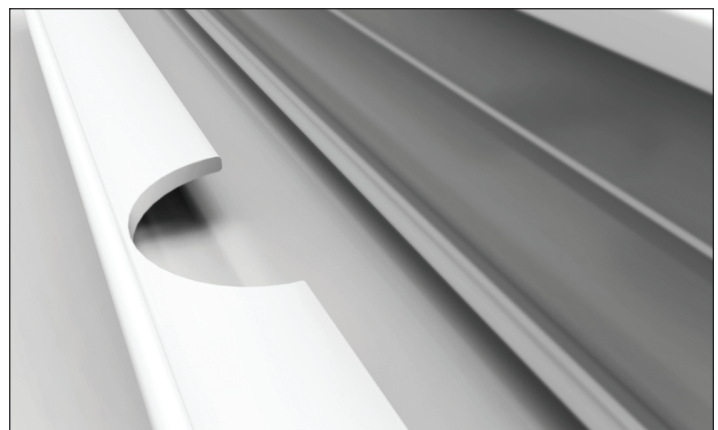
Profile is used for installing stretch ceilings exclusively to the wall. It creates the effect of molding around the perimeter of the stretch ceiling. The profile cannot be bent. The profile will be pre-notched (max 40mm and min 20mm steps) in the factory for an easy installation on site. Used with visible harpoon!

PROFILE REAL-SIZE DIMENSIONS



DESCRIPTION

Used in the construction for the installation of stretch ceilings exclusively to the wall. It creates the effect of molding around the perimeter of the stretch ceiling. Milled slots on the edge of the profile provide a better clutch of harpoon and profile. A special section is considered for the junction of the profiles with the special aluminum bar AL09.

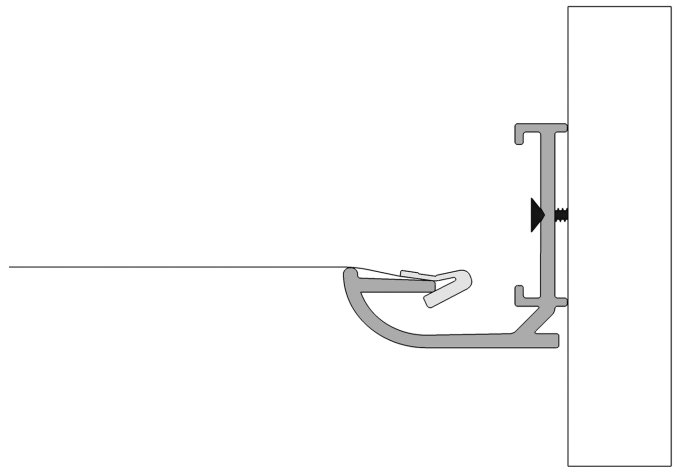
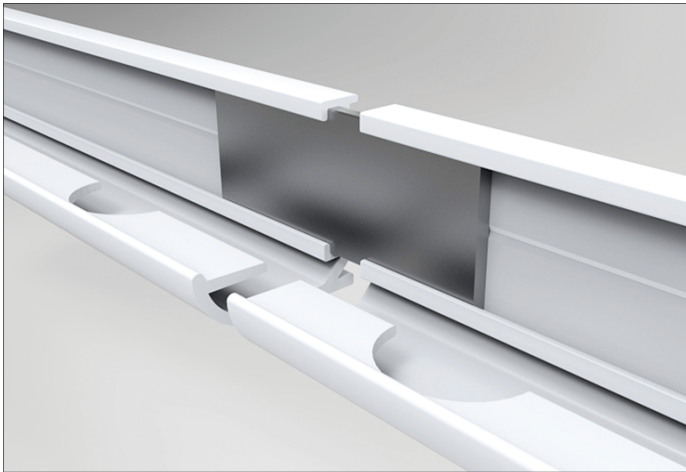


Milled slots on the edge of the profile provide better clutch of harpoon and profile.

MOLDING EFFECT WITH AL 13

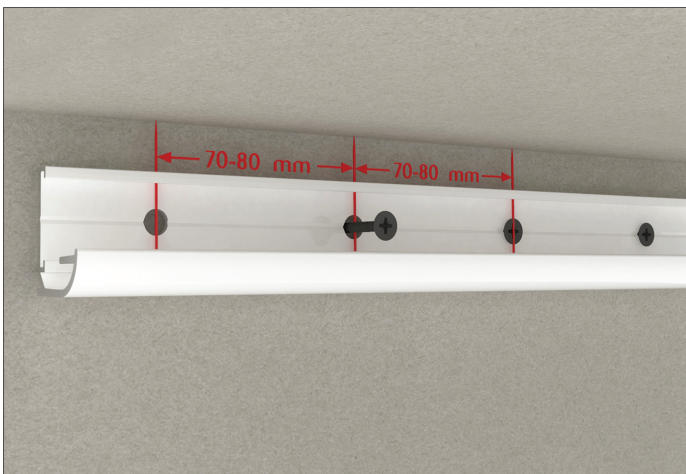


CONNECTING OF PROFILE

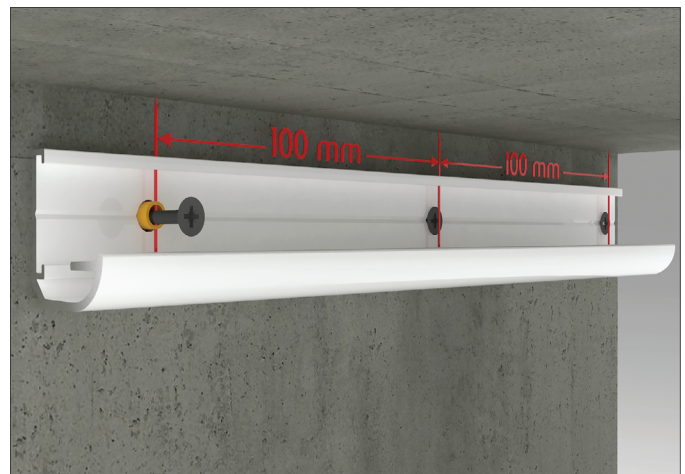


A special section is considered for the junction of the profiles with the special aluminium bar AL09.

FIXING PROFILE TO THE WALL



Fastening the profile to the concrete surface



Fastening the profile to the plasterboard surface

