

# AL 14

Aluminum wall profile for a montage of the stretch ceilings with LED lighting elements

## OBJECTS DONE WITH THIS PROFILE



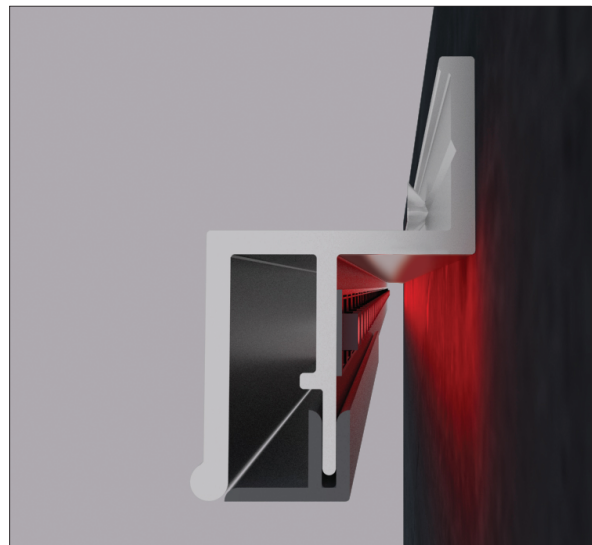
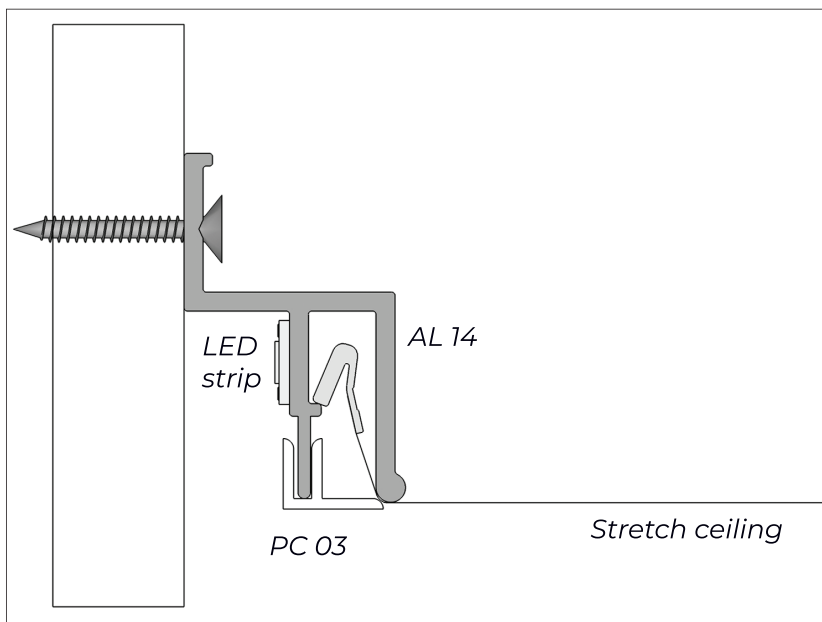
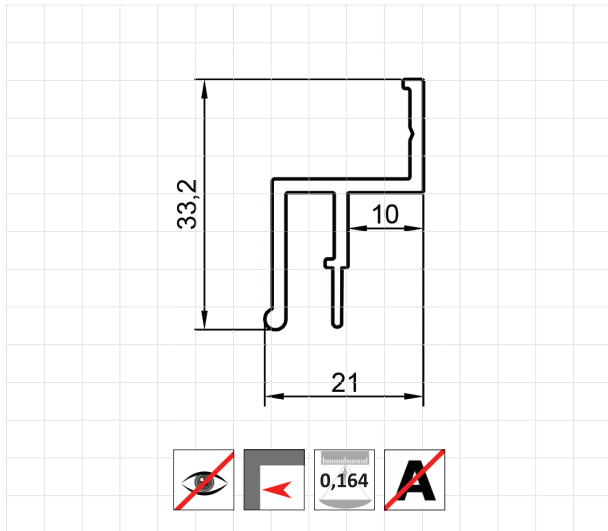
### Private apartments

Germany | Installer: CBS Spanndecken

## DESCRIPTION

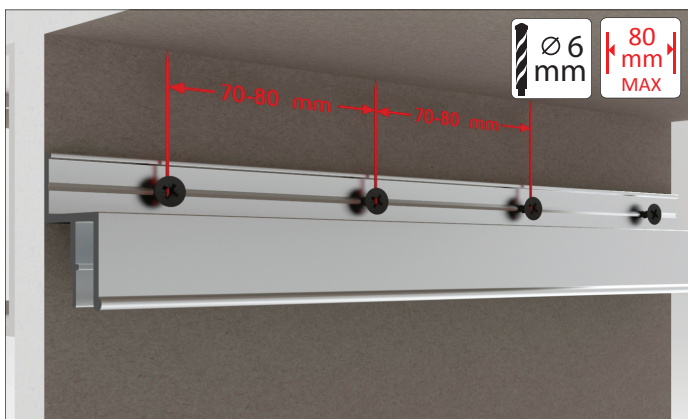
AL 14 is developed for installing stretch ceilings with LED-backlit along the perimeter. LED strip is mounted to the specially intended space with a width of 15 mm on the backside of the profile. This profile is not anodized. Used with PC 03. This profile allows bending also with minimum diameter for bending 150cm (radius 75cm).

## PROFILE REAL-SIZE DIMENSIONS



## FASTENING THE PROFILE

Fastening the profile to the plasterboard ceiling



Fastening the profile to the concrete ceiling

