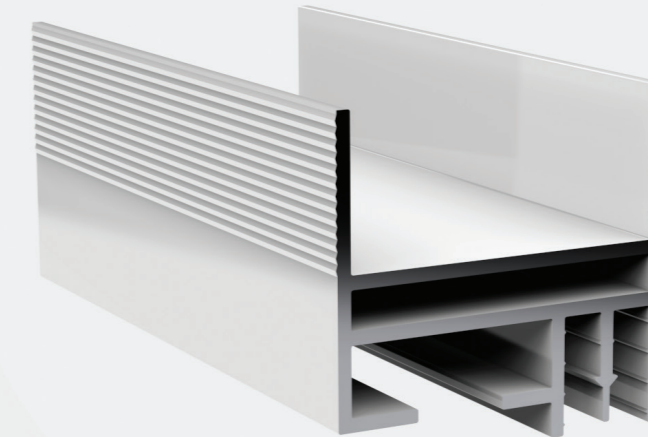
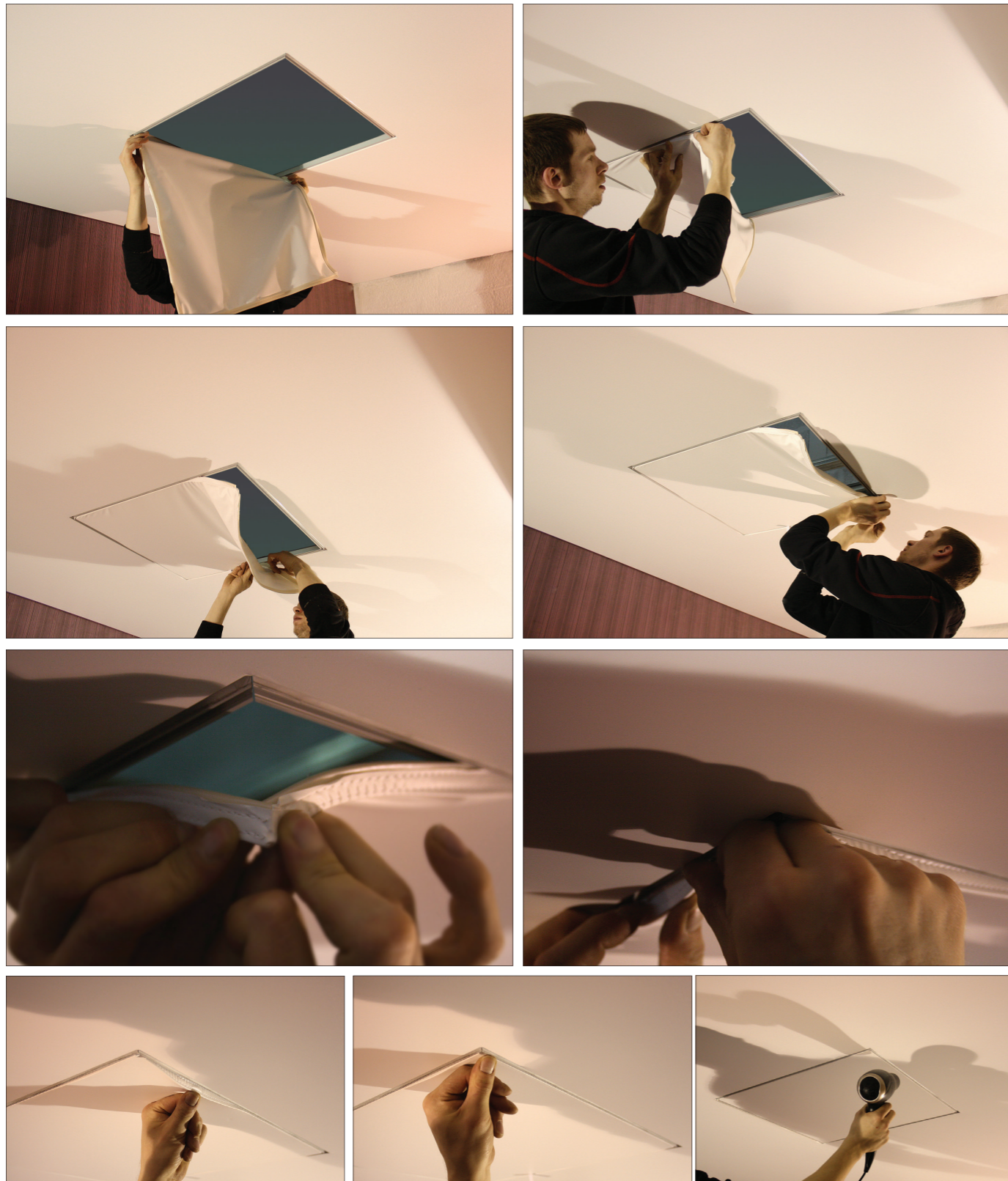


INSTALLATION



AL 24

Used with EXPO HARPOON or MINI harpoon

Aluminum profile AL 24 for ceiling traps. Used with MINI harpoon or EASY ACCESS system

THE ADVANTAGES OF AL 24 PROFILE

- Maximum size of trap-doors is 200cm x 200cm and can be installed into stretch ceiling
- Quick and easy installation and removal of trap-door
- Trap-door can be the same color or different color as the ceiling surrounding it
- Special elastic harpoon along the perimeter of the trap-door ceiling
- No special skills or equipment required for installation or removal of trap-door ceiling

SENSATIONAL OBJECTS DONE WITH THIS PROFILE



WASA Hotel & Spa

Estonia / Pärnu
Installer: Vecta Design

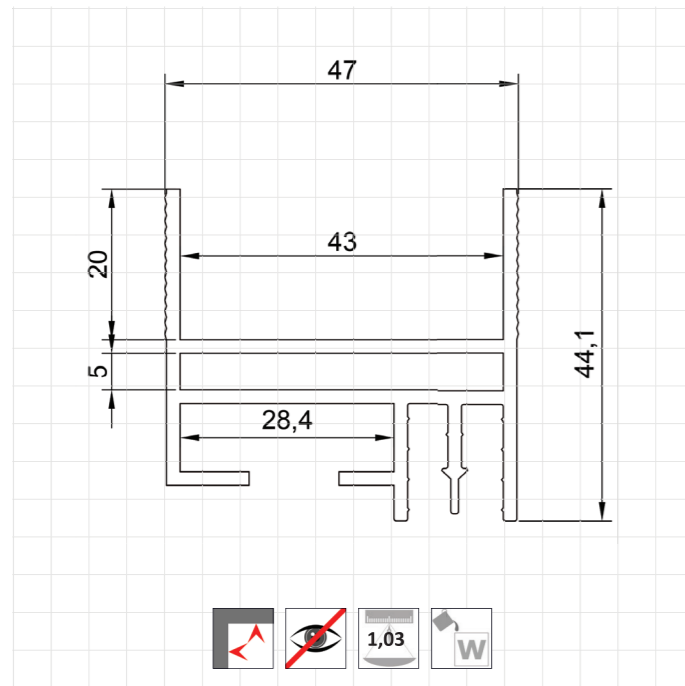
Radisson Hotel

Spain / Sant Joan d'Alacant
Installer: Vecta Design Spain

Kalev Spa Hotel & Water Park

Greece / Athens
Installer: Apollon Design

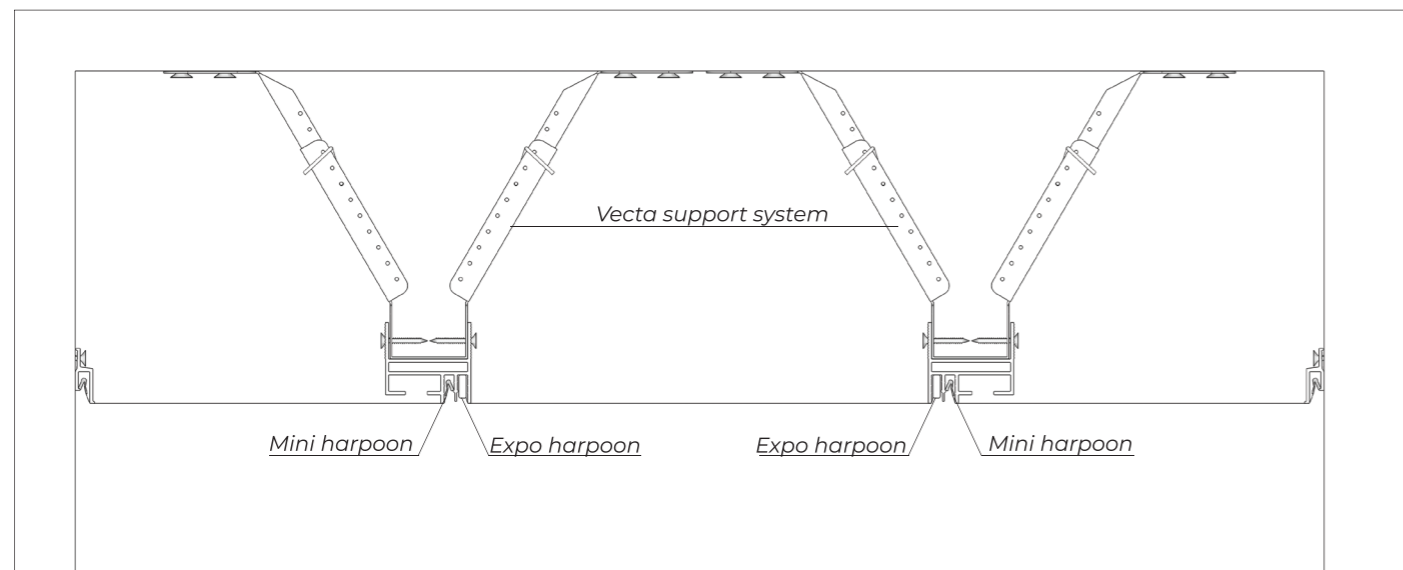
PROFILE REAL-SIZE DIMENSIONS



PROFILE INSTALLATION USING VECTA SUPPORT SYSTEM



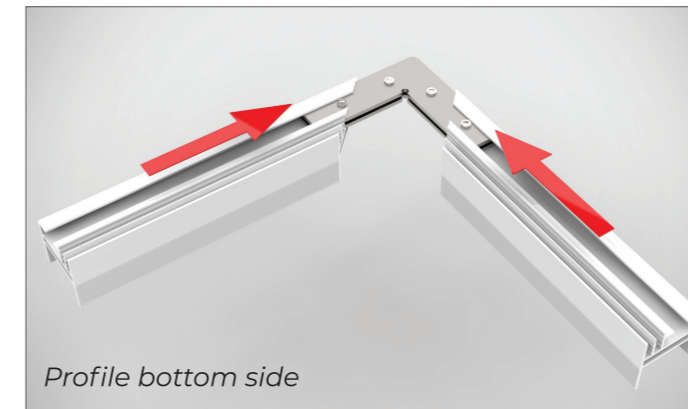
INSTALLING CEILING TRAP



DESCRIPTION

The profile has the unique capability of enabling the installation of stretch materials fitted with MINI harpoon or the new Easy Access system. Standard profile length 2,5m, special order 5m long profile. Construction of custom ceiling traps using specials fixings. Easy corner fixing with LC-01 corners. Using the profile as a ceiling divisor: Ceilings have to be ordered simultaneously, as there can be tone difference of various film lots. If there will be a time gap between the orders, production might use another roll for the order. Multiple ceilings in the same room must be ordered together.

Corner fixing with LC-01 corner



DEINSTALLATION

