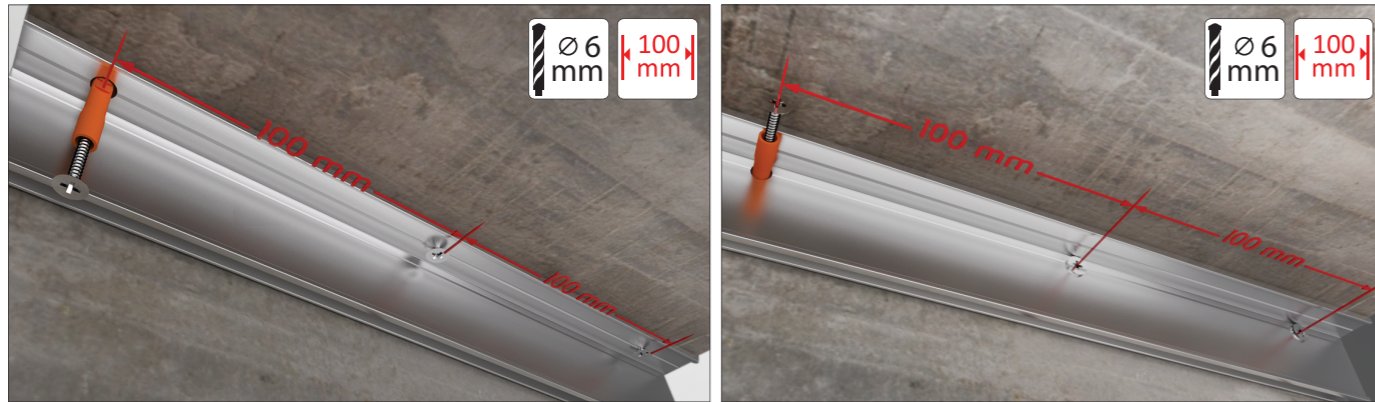
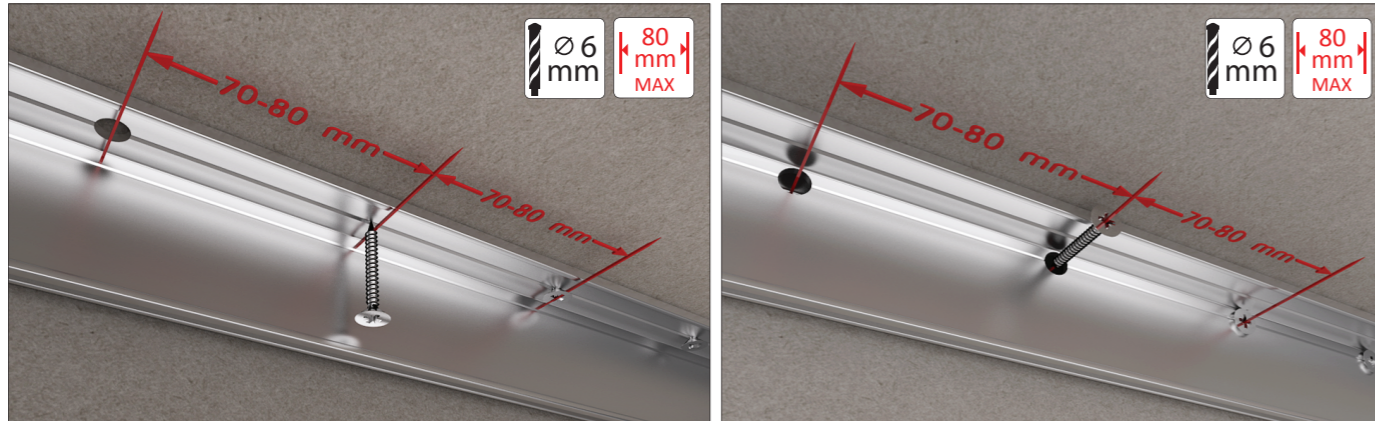


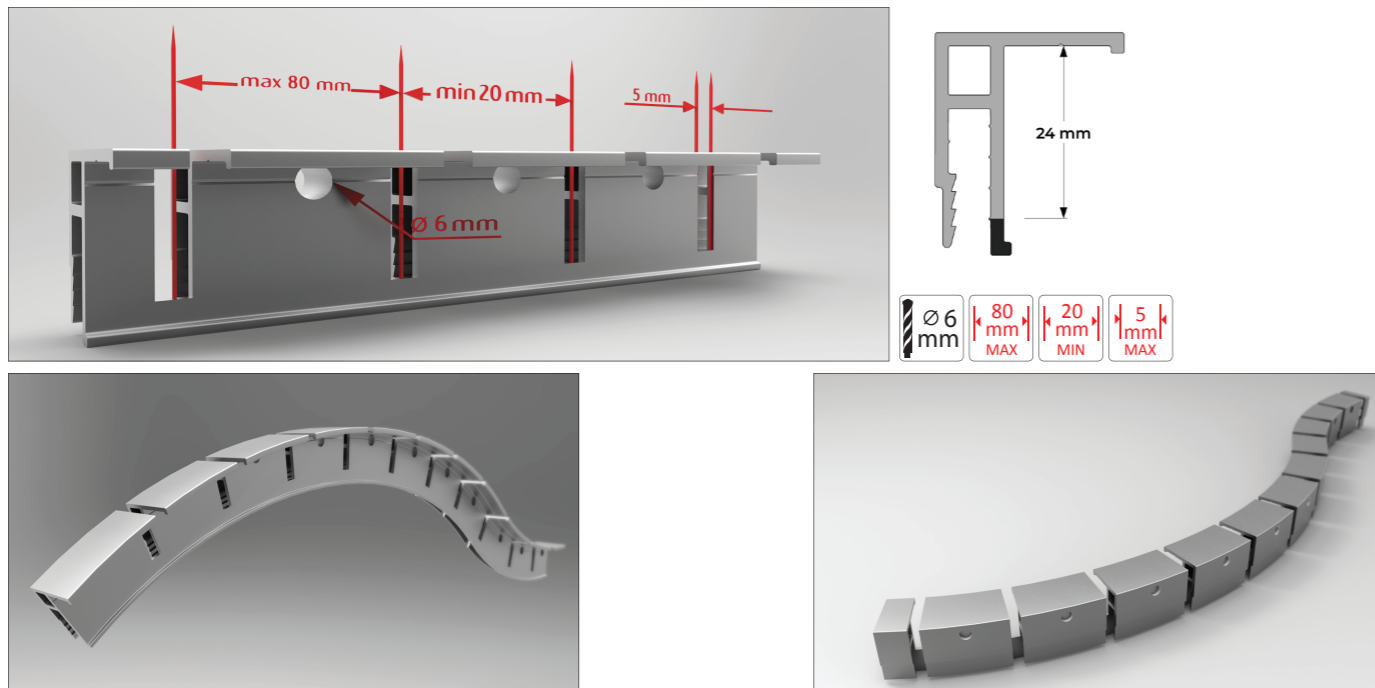
Fastening the profile to the concrete ceiling



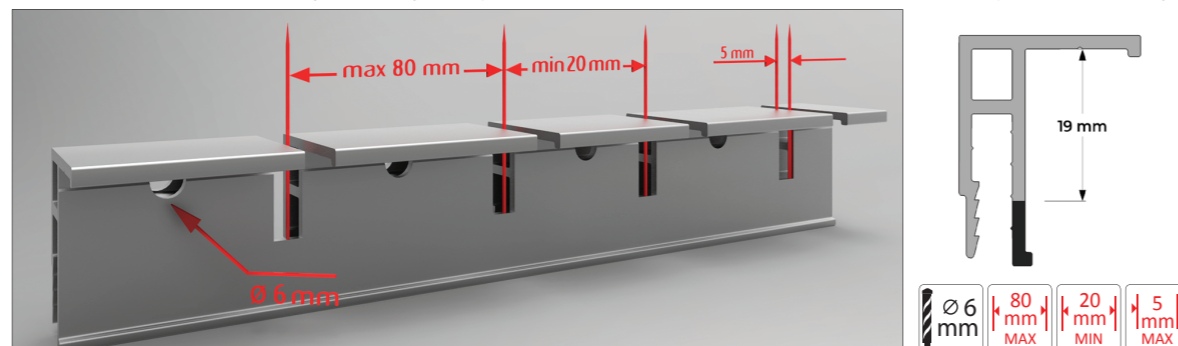
Fastening the profile to the plasterboard ceiling



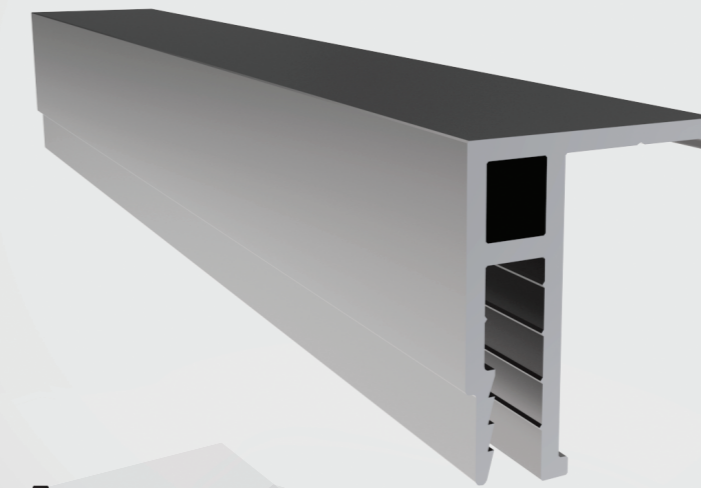
Pre-notched in the factory for easy adaptation on site to rounded and vaulted shapes vertically



Pre-notched in the factory for easy adaptation on site to rounded and vaulted shape horizontally



Feel free to contact in case any questions: info@vectadesign.com | phone: +372 44 23 023 | fax: +372 43 70 339

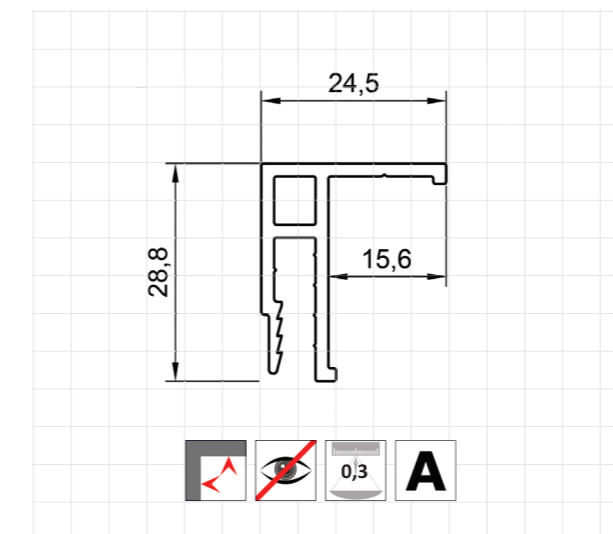


AL 26-A

Used with MINI or EXPO harpoon

Aluminum universal profile AL 26-A for ceilings and walls. Used with MINI harpoon or EXPO harpoon.

PROFILE REAL-SIZE DIMENSIONS

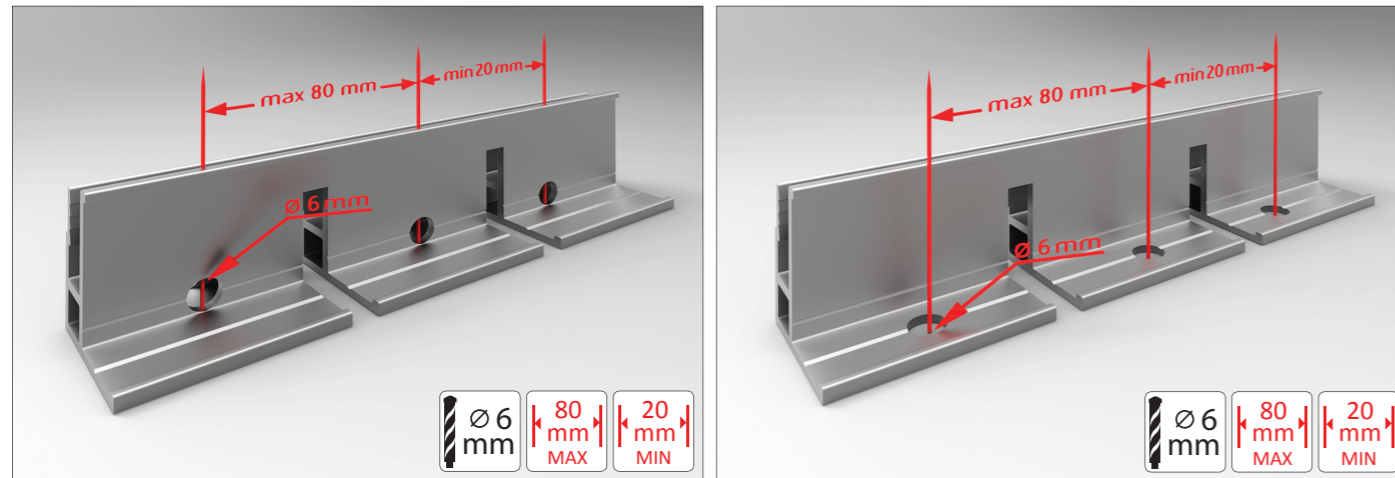


DESCRIPTION

Aluminum universal profile AL 26-A for installing stretch ceilings or textile ceilings to the wall or the ceiling. Anodized profile is recommended to use in rooms with high humidity levels. It can also be used outdoors and indoor rooms. Using the profile with MINI harpoon, it is necessary to add decoration strip PC-03. Used with EXPO harpoon no decoration strip needed. AL 26-A is available in 2,5 m and 5 m lengths. This profile can be used with a stretch ceiling or with SAMBA and other textile materials.

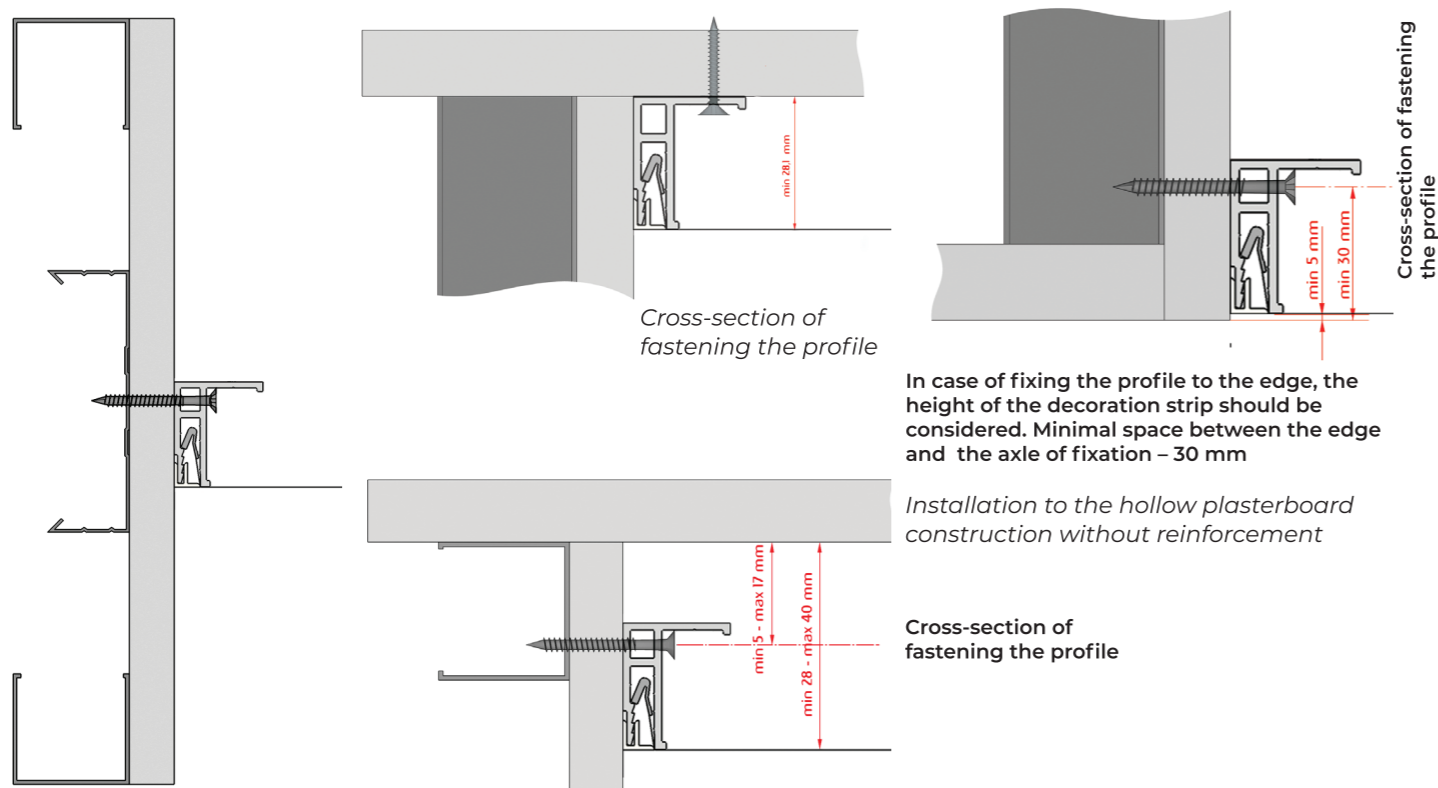
Feel free to contact in case any questions: info@vectadesign.com | phone: +372 44 23 023 | fax: +372 43 70 339

PROFILE REAL-SIZE DIMENSIONS

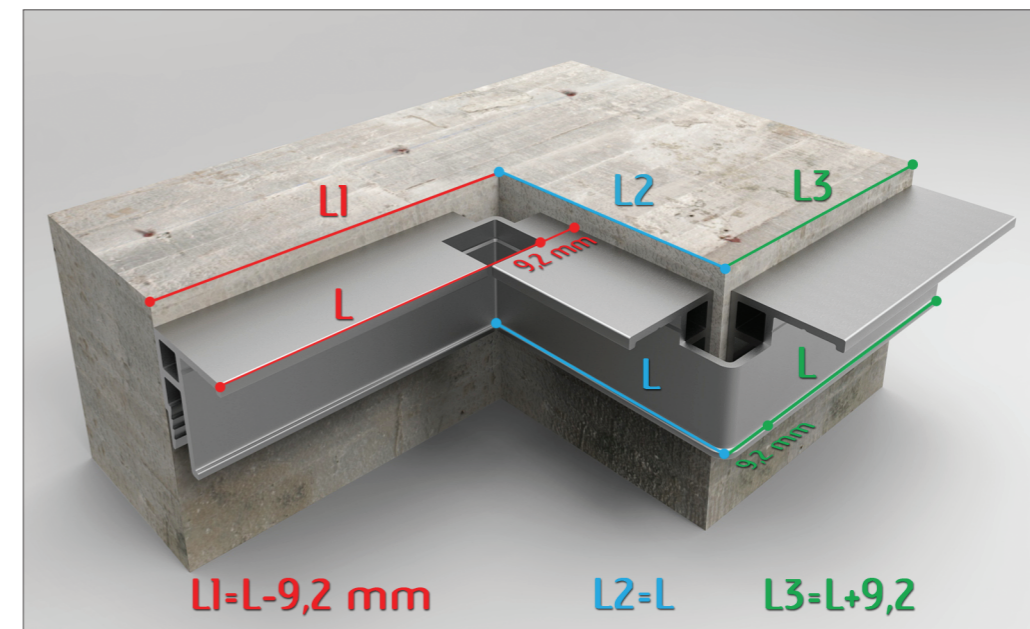
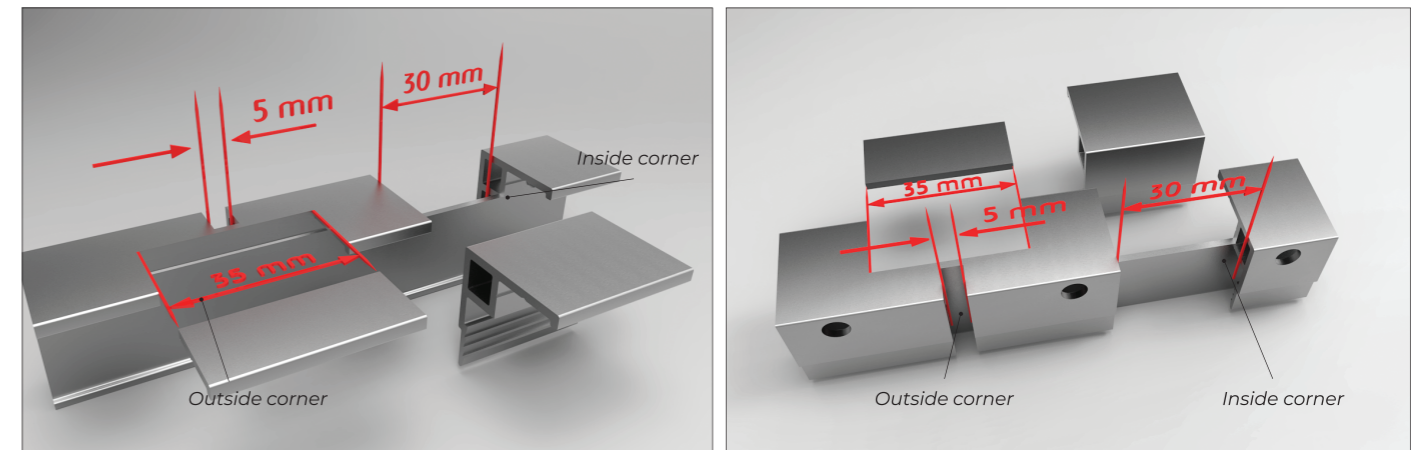


Pre-notched in the factory for easy adaptation on site to rounded and vaulted shapes

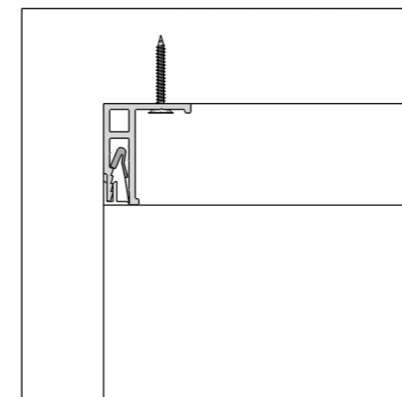
FASTENING THE PROFILE TO THE METAL FRAMEWORK AND PLASTERBOARD



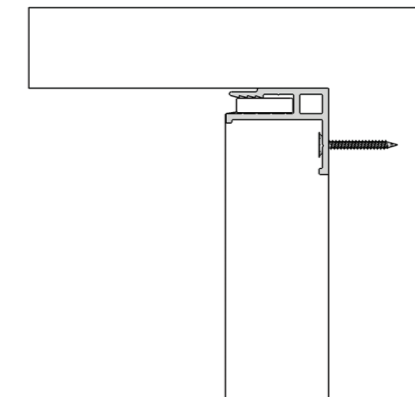
CUTTING PROFILE CORNERS



USING AL 26-A WITH MINI- AND EXPO HARPOON



Aluminum universal profile AL 26-A for stretch ceilings with MINI harpoon. Used together with PC-03.



Aluminum universal profile AL 26-A for stretch ceilings and textile ceilings with EXPO harpoon. Used without PC-03. Maximum recommended size for EXPO harpoon stretch ceilings is 150cm x 200cm. Other sizes must be specified by the manufacturer. Not recommended to use for textile ceilings with EXPO harpoon, can be used for textile walls.