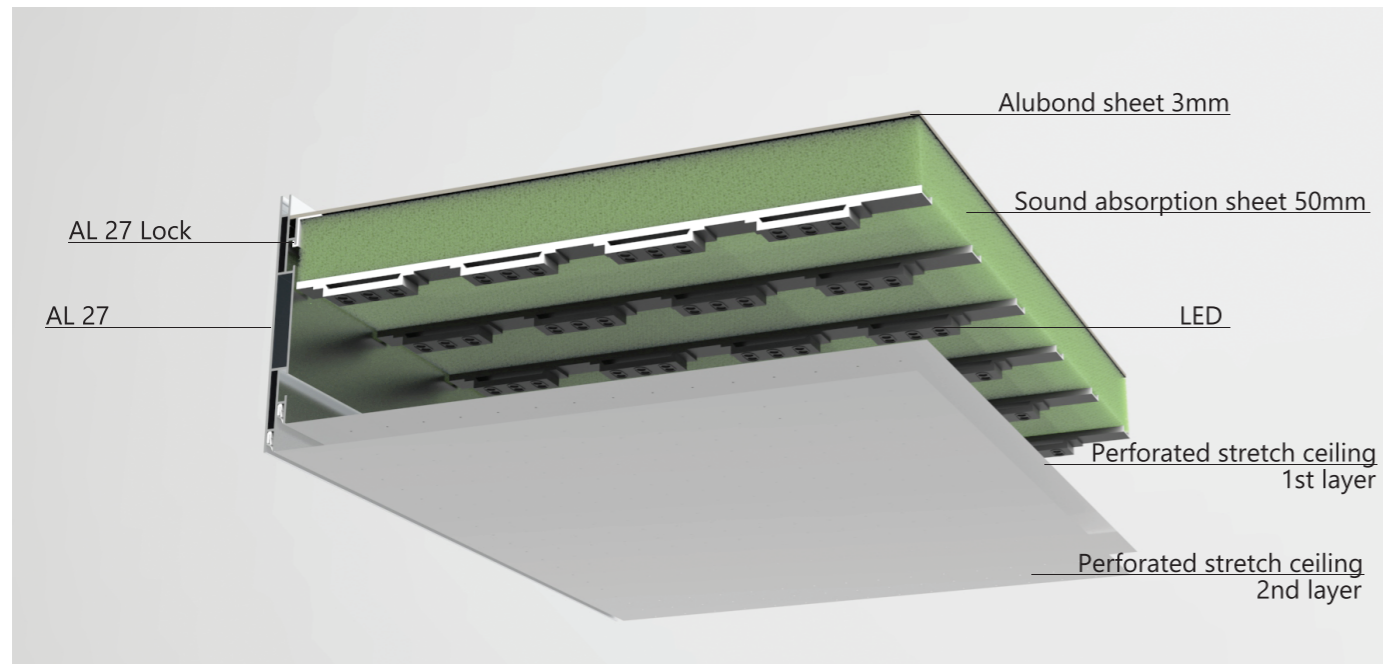
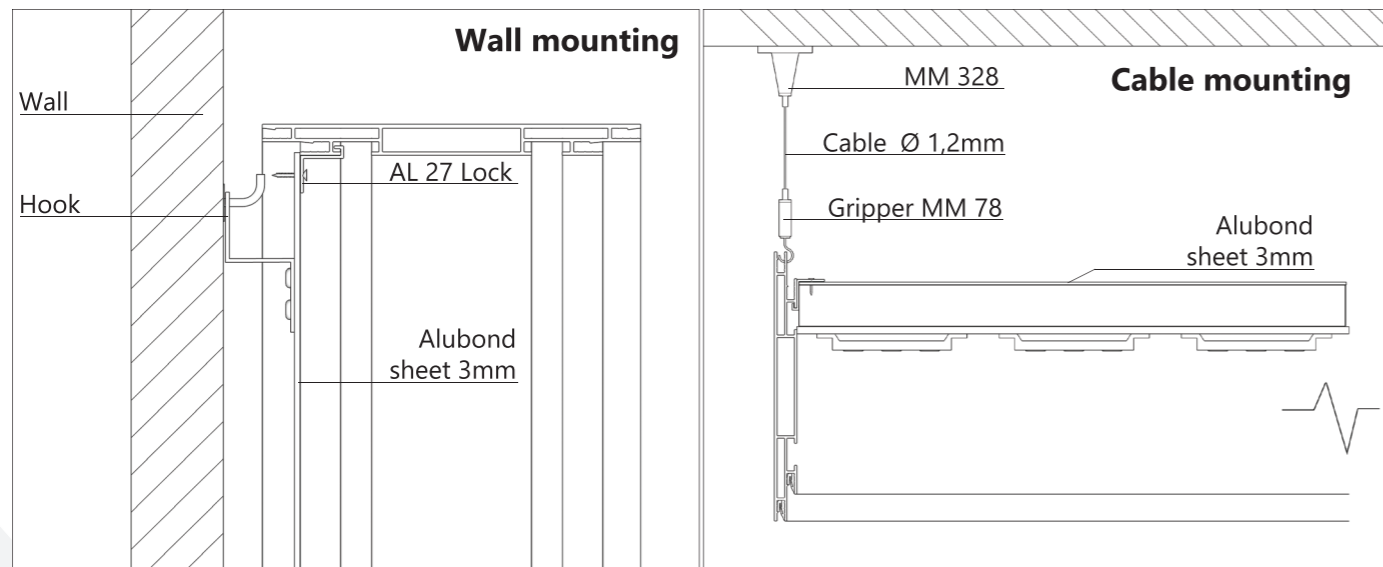


ACOUSTIC LIGHT PANELS



LIGHT FRAMES



Feel free to contact in case any questions: info@vectadesign.com | phone: +372 44 23 023 | fax: +372 43 70 339



AL 27

Used with EXPO HARPOON or MINI harpoon

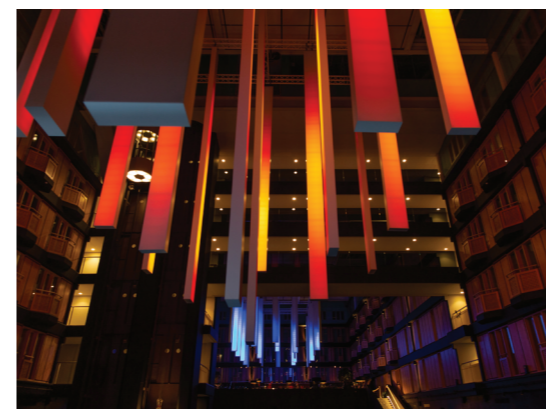
AL 27 + AL 27 Lock is multifunctional profile used for backlit ceilings, backlit walls, acoustic solutions, and lamps.

THE ADVANTAGES OF AL 27 PROFILE

The profile advantages are more or less the same as for the profile AL 22:

- Functional modular profile for creating evenly diffused light frames, wall modules and tailor made design lamps
- Design elements created with this profile can be installed or mounted in 3 different ways: 1) directly to the ceiling, 2) hanging with metal ropes from the ceiling, 3) movable floor stands
- The profile is suitable for creating lighting solutions of different shapes with curved edges
- Can be combined with acoustic stretch material and sound absorption sheet

SENSATIONAL OBJECTS DONE WITH THIS PROFILE



Radisson Hotel
Sweden / Stockholm
Installer: Vecta Design



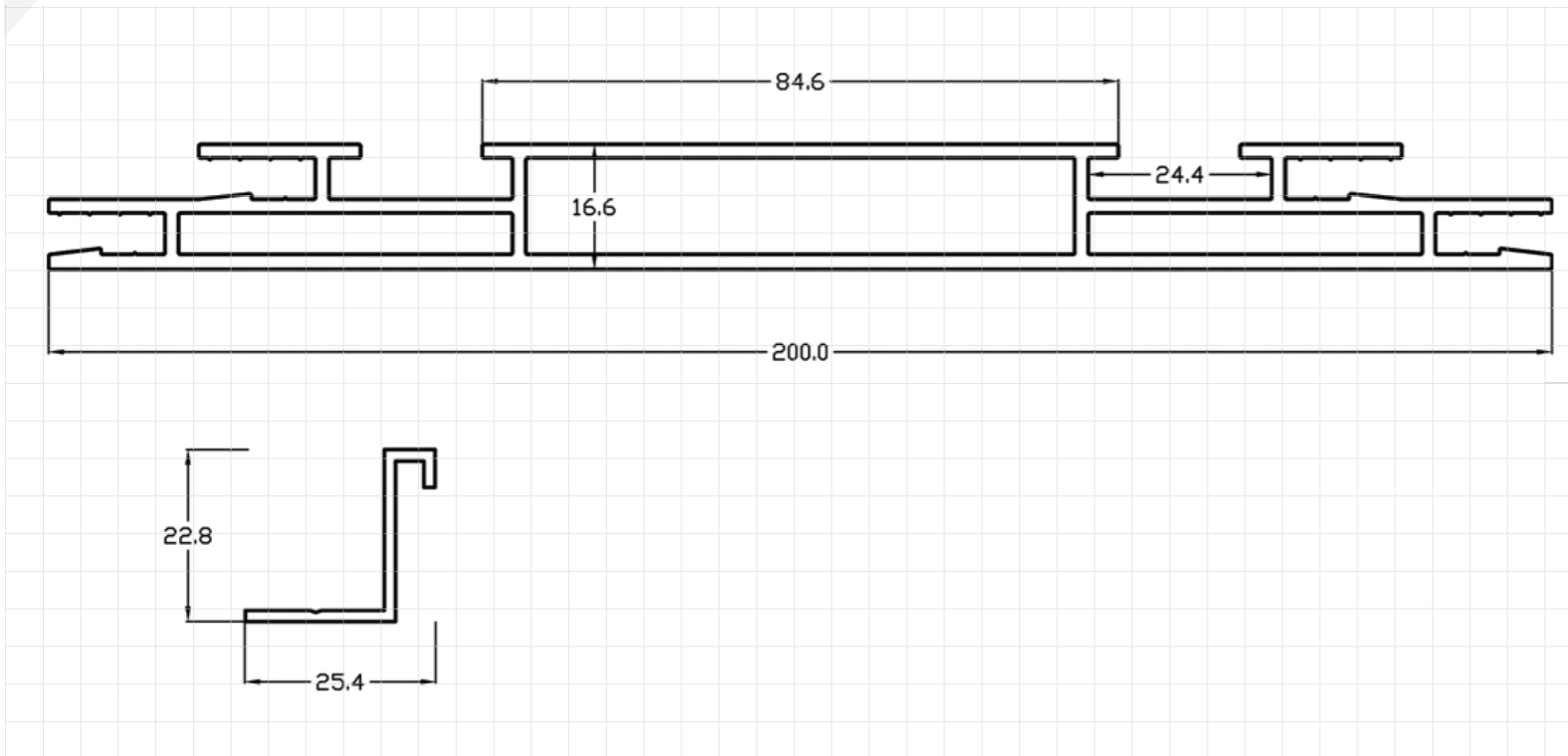
Thule Koda
Estonia / Kuressaare
Installer: Vecta Design



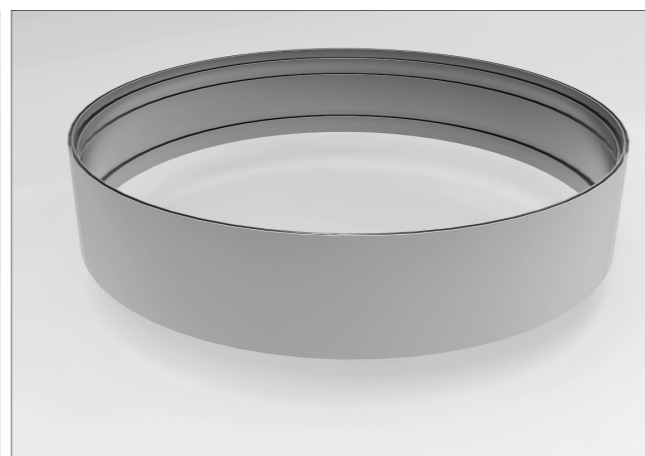
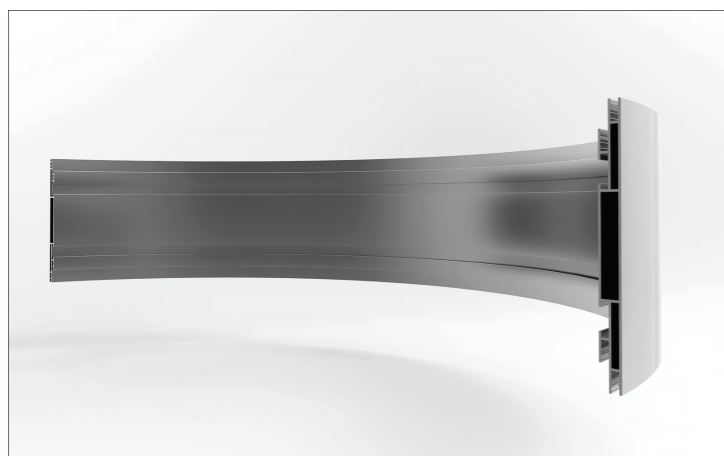
Vabamu Museum of Occupations and Freedom
Estonia / Tallinn
Installer: Vecta Design

Feel free to contact in case any questions: info@vectadesign.com | phone: +372 44 23 023 | fax: +372 43 70 339

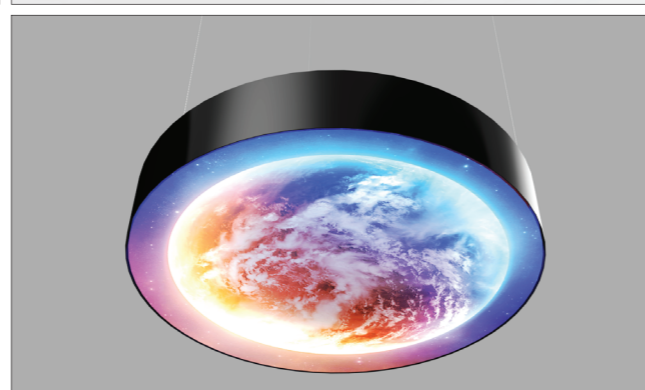
PROFILE REAL-SIZE DIMENSIONS



ABILITY TO BEND PROFILE



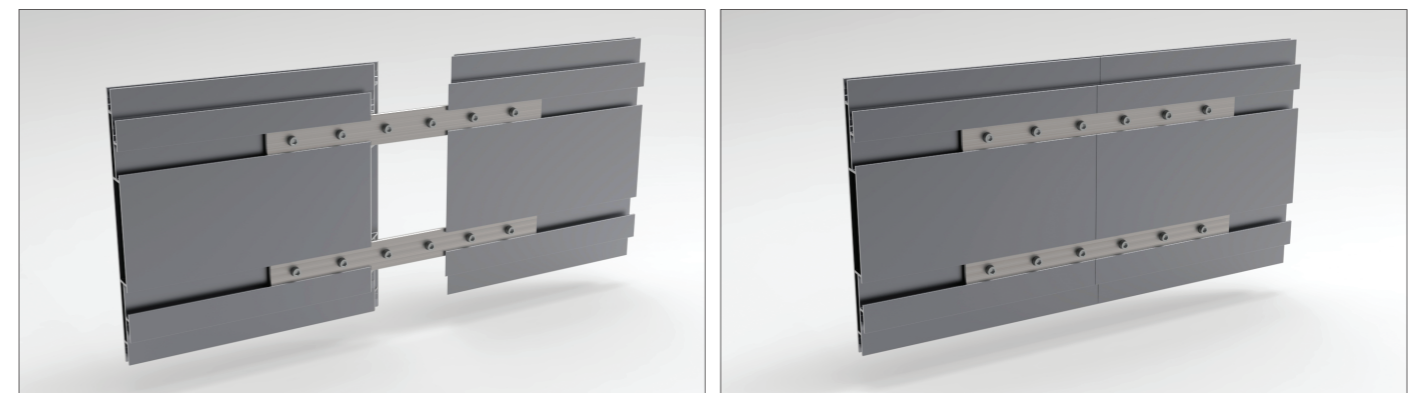
Minimum diameter for bending AL 27 is 90 cm



DESCRIPTION

This profile was developed to create an illuminated design without any shadows. AL 27 Lock fits on different levels of the AL 27 profile and is used for holding backlit led lights on PVC sheet or to hold acoustic sheets. NB! If the frame length is longer than 150 cm, or if the diameter of the lamp is more than 150cm, then we recommend using profile AL 17.

Corner fixing with LC10



Connecting profile by the length using LC-08

Colors and finishes

