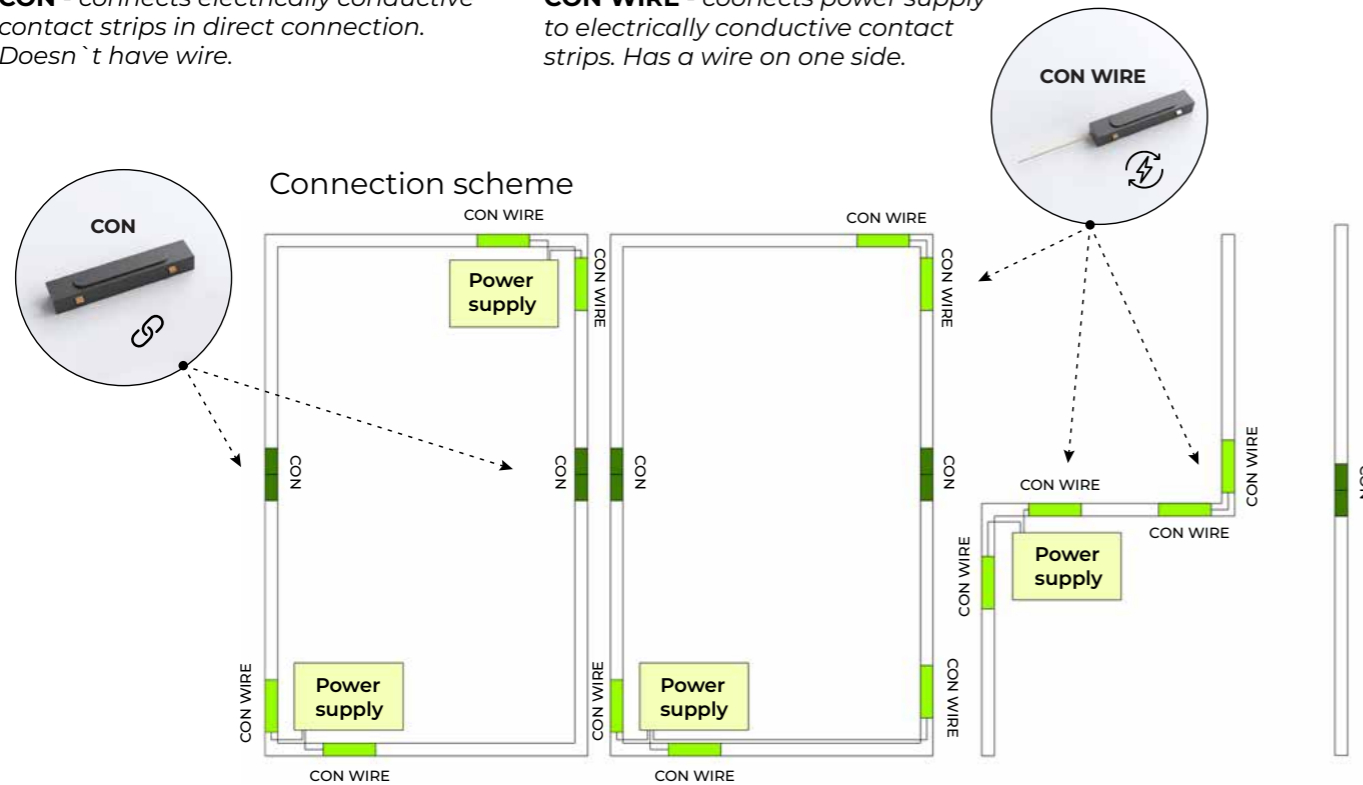


ELECTRICAL CONNECTION ELEMENTS

CON - connects electrically conductive contact strips in direct connection. Doesn't have wire.

CON WIRE - connects power supply to electrically conductive contact strips. Has a wire on one side.

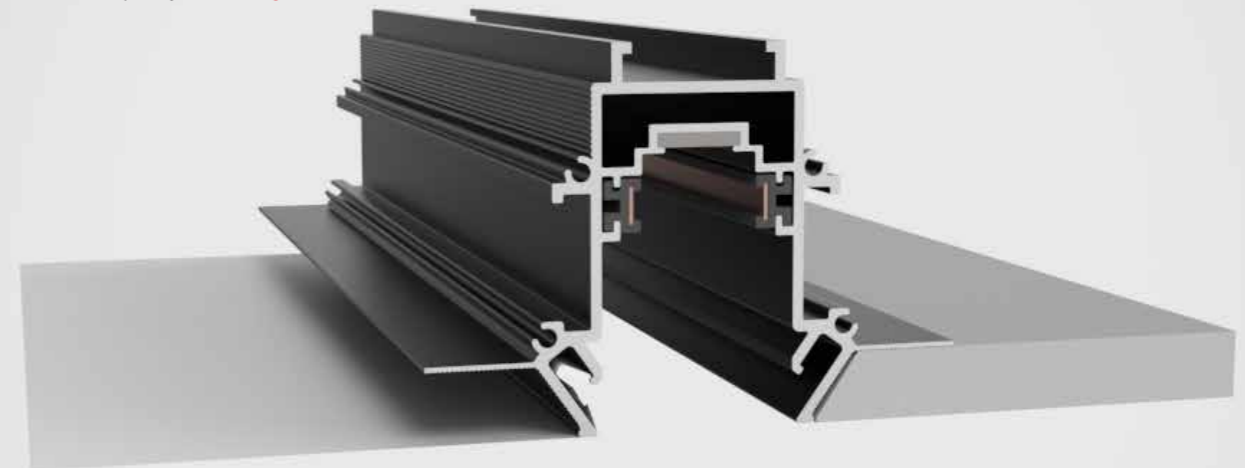


RANGE OF LED LAMPS



All technical information about LED lamps you can find in our pricelist. Please contact with your regional manager.

Another great thing is that the light of the lamps is so discrete you can barely see the light source. It is called a dark light, which sets a more natural mood and creates a more harmonious, gentle light for the lighting atmosphere – while being easy on the eyes. This guarantees that you won't need to ponder about the height or the location of the lights. To make use of your new solution as comfortable as possible, we also offer different ways to control the already adjusted lighting – you can use a wall switch or remote control.



AL 35 Easy Light

Used with MINI harpoon

Aluminum profile AL 35 is functional, flexible, and comfortable to use. The profile enables you to relocate the different styles of lamps (9 different design lamps, various dimensions, warm and cold light effects available) as often as needed. The multipurpose profile can be installed in the ceiling or to the walls and model AL 35 works with any kind of material – with the stretch ceiling, and also with more traditional materials (gypsum for example). Used with MINI harpoon.

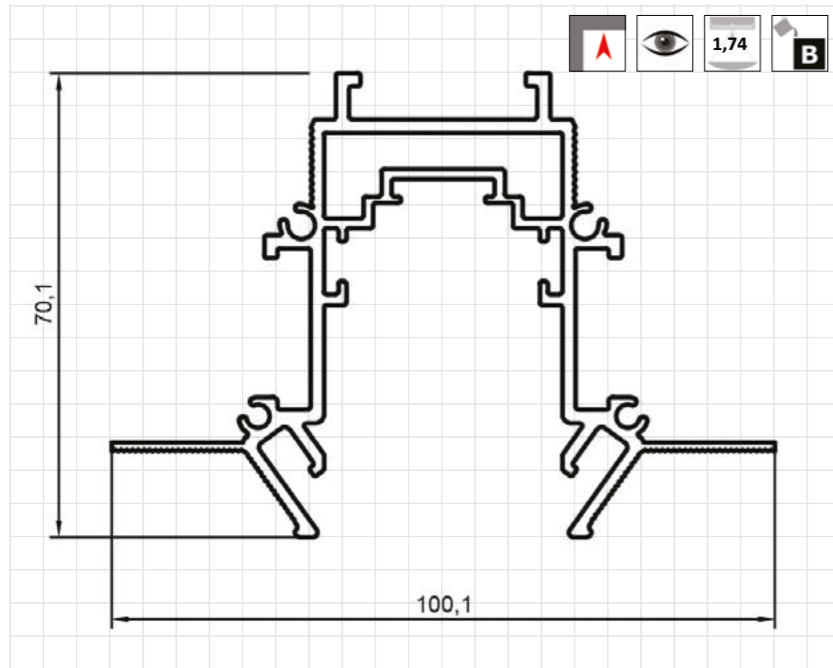
THE ADVANTAGES OF AL 35 PROFILE

- Use the profile with stretch ceiling or other ceiling materials (with gypsum for example) or combine different types of materials in the same room
- Easily change the location of the lamps and avoid time-consuming and costly construction investments
- Integrate additional or main light source in the ceiling or to the walls
- Use a wide variety of different lamps at the same time or change them occasionally

FUNCTIONAL INTERIOR DESIGN CREATED WITH THIS PROFILE

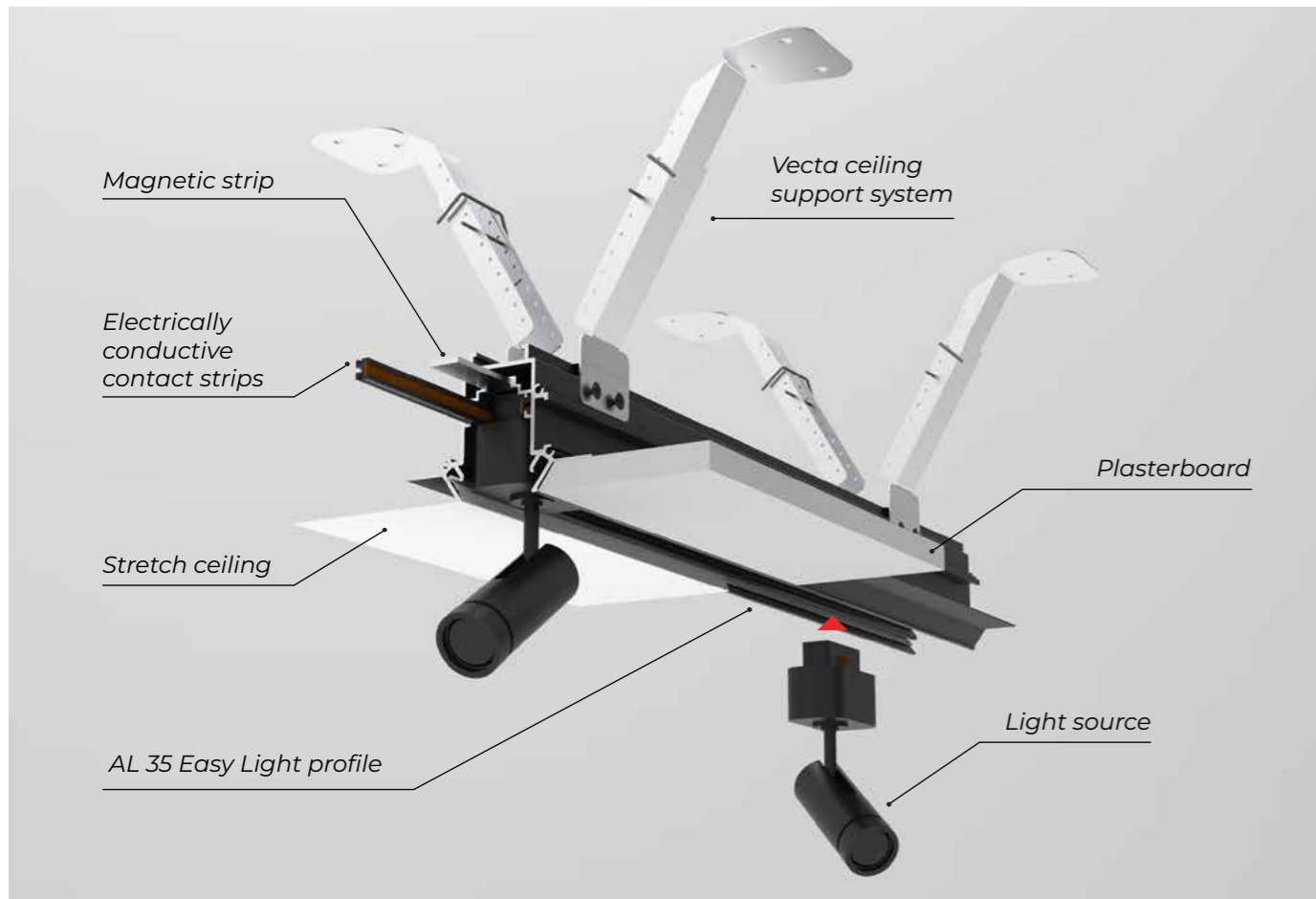


PROFILE REAL-SIZE DIMENSIONS



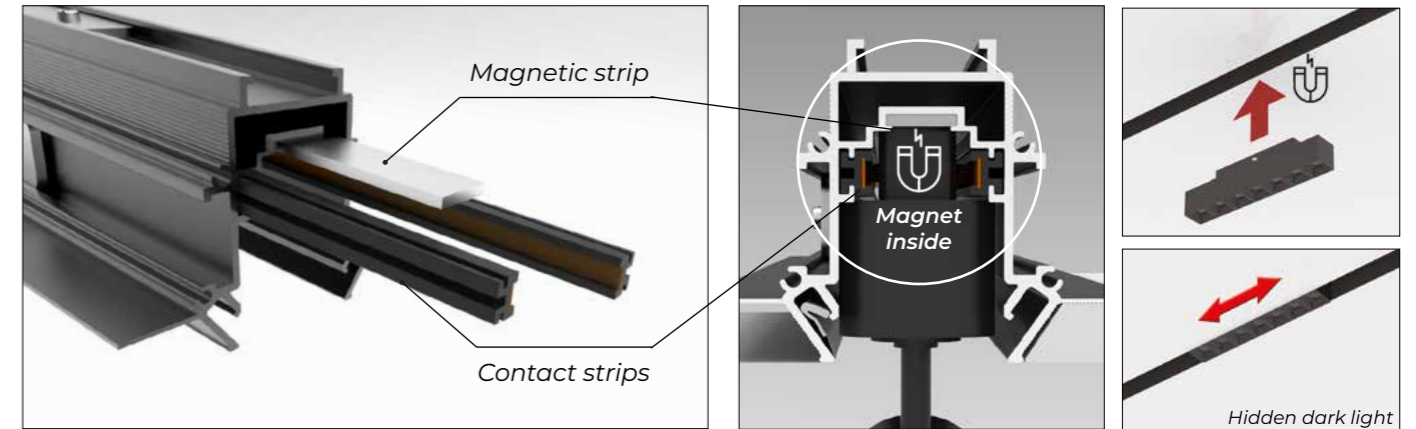
There are four screw grooves on the side of the profile structure, which make it easy to attach the end cover and create profile structures of different lengths according to customers wishes. The profile structure lower part includes recesses for fastening the stretch material harpoons and edges on both outer sides for fastening alternative ceiling materials.

VECTA EASY LIGHT SYSTEM



DESCRIPTION

The aluminum profile system is equipped with a metal strip and the bottoms of the lamps are equipped with magnets. Throughout the profile, there are electrically conductive contact strips on both sides of the profile, that allow changing the location of the lamps easily. To use visually different lamps, which may provide more warm or more cold light in the room, but also a lamp with more widely diffused light beams or lamps with a more narrow light beam - a convenient solution that is based on the specific needs the space or specific situation requires.

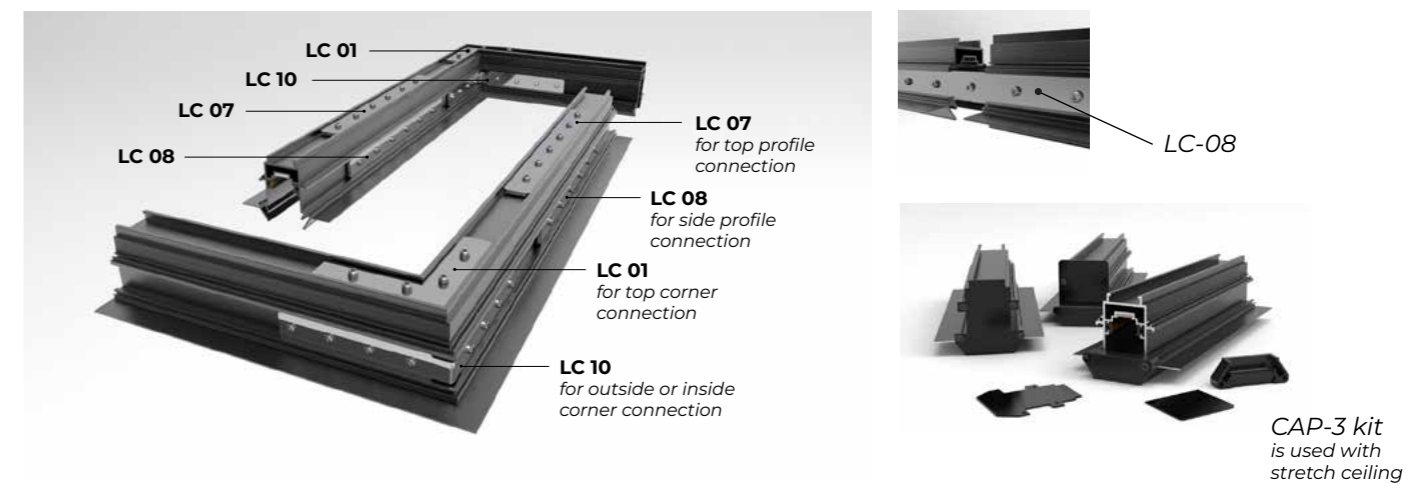


Creating new, attractive light effects in the space will be done simply within seconds and costly construction investments are past in case one would like to change the interior lighting.

There are two ways to change the location of the lamp:

- slide the lamp along the profile or
- pull the lamp out and push it to the new position slightly

Profile AL35 is suitable to use in any room, no matter if the interior design is contemporary or more traditional looking. It will give also the possibility to combine different materials in the same room.



COMPACT ENDINGS

Easy Light profile ending CAP-3 makes it effortless for the professional to install stretch material. The straight back wall edge is more accessible and it makes attaching the harpoon more simple task. CAP-5 is used for plasterboard ceiling.

