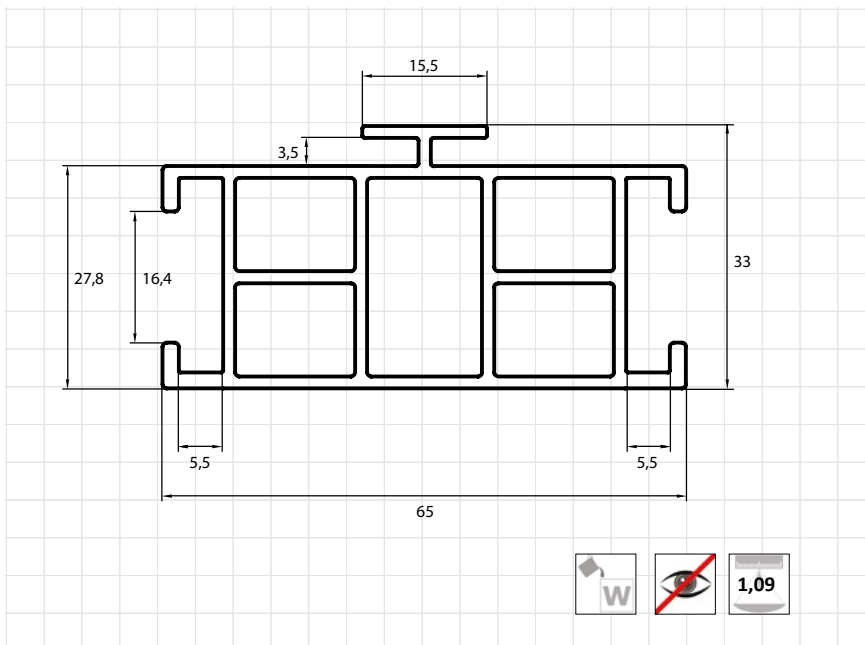


# AL 38 Bridge

AL 38 Bridge - constructive aluminum profile for big modular constructions.

## PROFILE REAL-SIZE DIMENSIONS

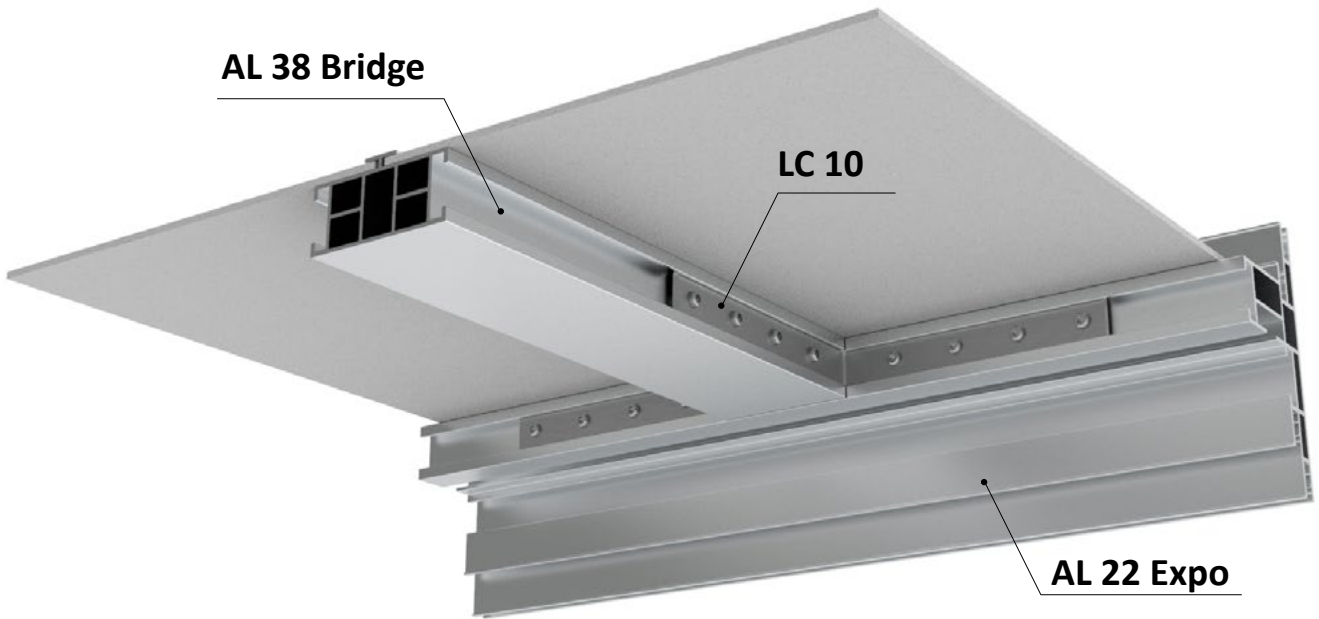


## DISCRIPTION

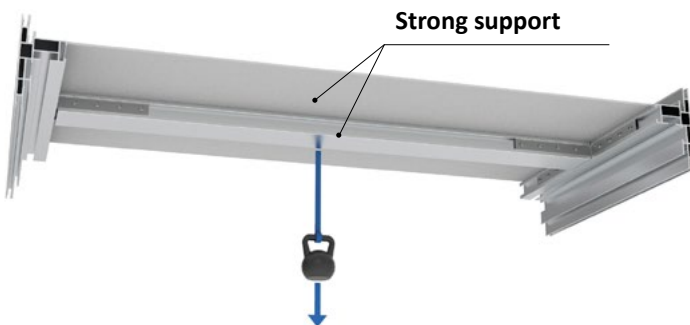
- The most important function of this profile is to protect the structure from deflection.
- It is used for supporting the base of 3 mm sheet alubond in large frames
- Recommended for use with Vecta profiles AL 22 Expo, AL 16 and AI 27
- This profile is convenient to install and easy to attach with the connection details LC 10 and LC 08

AL 38 Bridge has a specially designed structure that enhances its strength. It is used to protect the structure from deflection in future. A special groove on top with a height of 3,5 mm is designed for inserting 3 mm sheet material on the top of the structure (for example - alubond). The profile is strongly fixed with the corner connection detail LC 10 and LC 08 for length connection.

## USING Bridge PROFILE



To evenly distribute the load on the structure, we recommend using a profile every 2 meters



## MAIN FEATURES

- Details for connection - LC 08, LC 10
- Recommended thickness of used aluminium sheet Alubond - 3 mm
- Used with AL 22 Expo, AL 16 and AL 27

