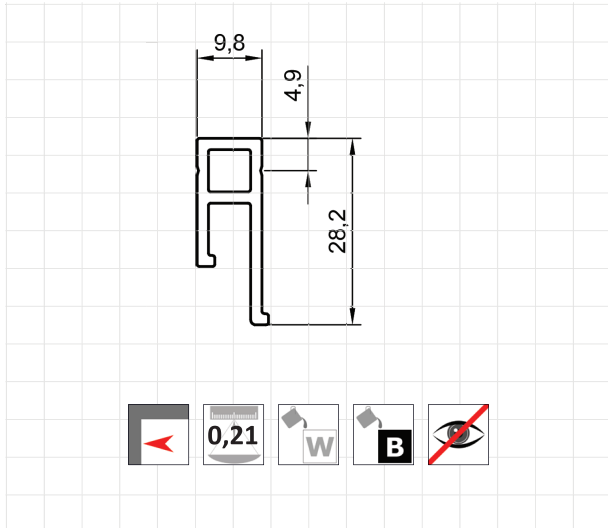


# PC 02

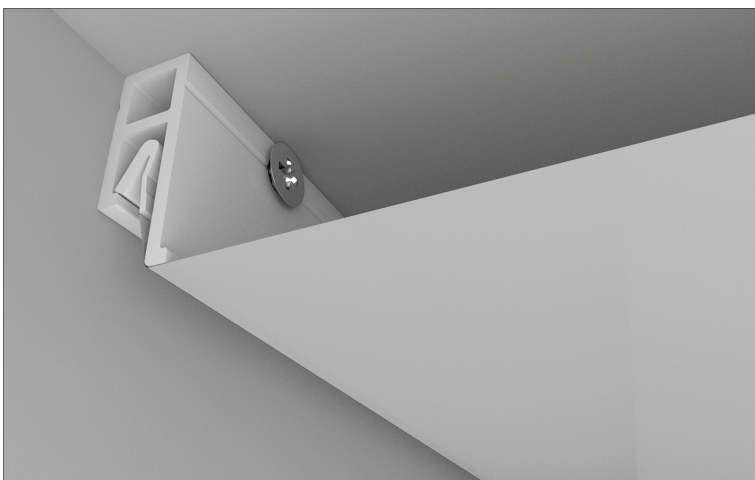
PVC wall profile used with decoration strip

## PROFILE REAL-SIZE DIMENSIONS

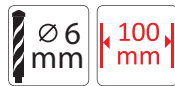
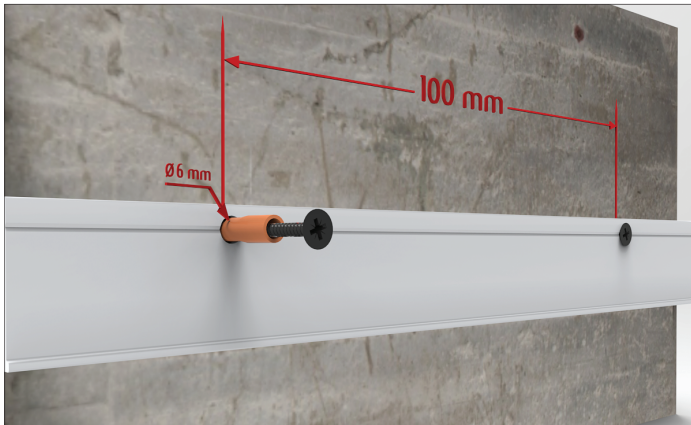


## DESCRIPTION

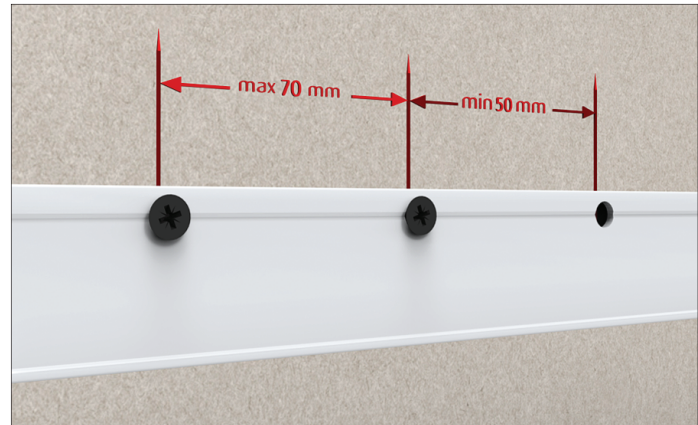
Profile is used without decoration strip for installing stretch ceilings only to the wall, creating the impression of the ceiling floating in the air. Recommended area for installation with this profile is up to 20-25 m<sup>2</sup>. Suitable for fastening to the curved surfaces. This profile visually reduces the defects and irregularities of the walls by 1-2,5 mm. The ceiling benefits from extremely pure lines, without visible tracks. It can be used for all designs, even the most imaginative. By using PVC profiles the stretch ceilings can not be reinstalled unlike with aluminum profiles. PVC profile can bend by opening the stretch ceilings harpoon lock and the PVC profile should be replaced after opening the stretch ceiling. By using aluminum profiles the stretch ceilings can be opened and reinstalled by stretch ceilings installers as many times as needed.



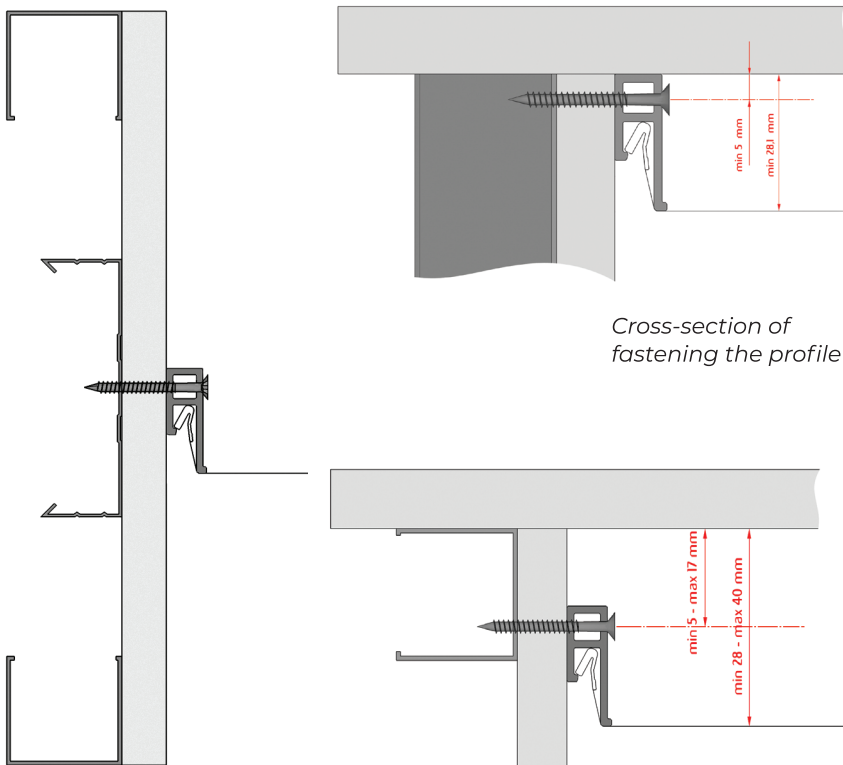
Fastening the profile to the solid surface (concrete)



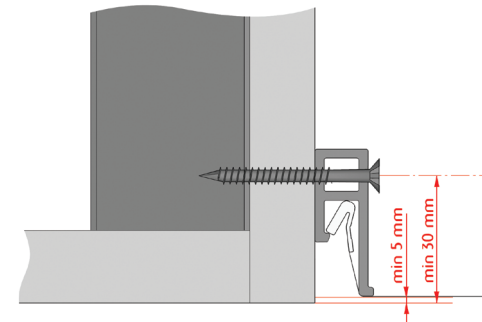
Fastening the profile to the soft surface (plasterboard)



## FASTENING THE PROFILE TO THE METAL FRAMEWORK AND PLASTERBOARD



Cross-section of fastening the profile



In case of fixing the profile to the edge, the height of the decoration strip should be considered. Minimal space between the edge and the axle of fixation – 30 mm

Installation to the hollow plasterboard construction without reinforcement

Cross-section of fastening the profile