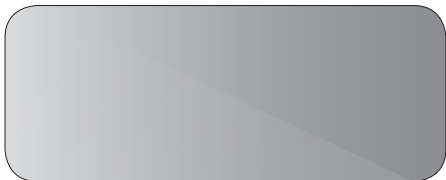




# Mirrored ceilings

## COLORS



**X35-910 MIRROR SILVER**



**X35-911 MIRROR GOLD**



**X35-912 MIRROR SHADOW**

The main benefit of mirrored ceilings is that they visually seem to add space to the room. While reflecting and maximising the light in a space, they help save energy and totally transform the atmosphere. That's the reason mirrored ceilings have become so fashionable and popular lately.

The advantage of a Vecta mirrored ceiling is the light weight and its safety feature, as it is not made of heavy glass. Our ceilings are 15 to 20 times lighter than traditional mirrored ceilings and they are available in 5 finishes: silver, gold, shadow, copper, and red metallic.

Our mirrored ceilings can be installed in upright or suspended frames and can have any straight shape with angles no less than 30°.

The mirror material can be printed with any design, logo, or picture.

## MIRROR TECHNICAL DATA SHEET

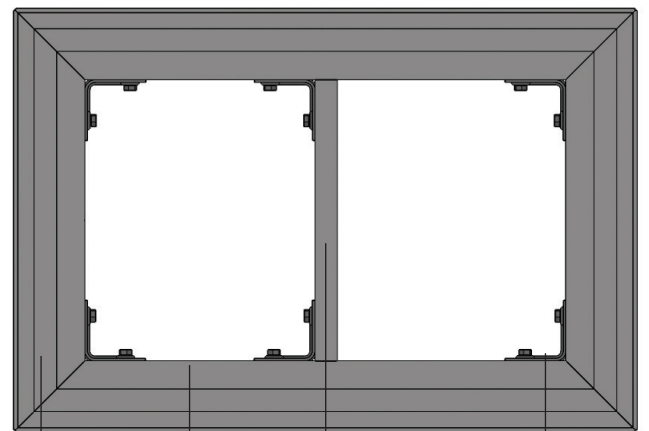
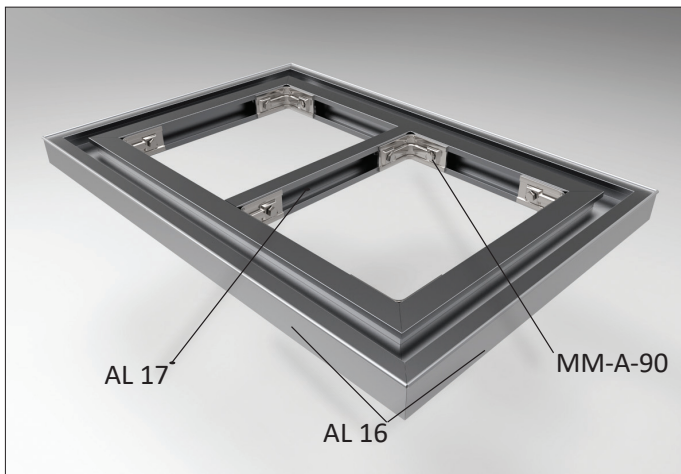
<b>Trade name</b>	X35-910 MIRROR SILVER, X35-911 MIRROR GOLD, X35-912 MIRROR SILVER
<b>Composition</b>	PVC film laminated with aluminum film. Width 135 cm, not weldable
<b>Weight / sqm</b>	240 g/m <sup>2</sup> ± 5%
<b>Color</b>	White, with light grey shade
<b>Thickness</b>	0,19 mm / 190 μ
<b>Fireclass</b>	Flameretardant
<b>Reflection</b>	95%
<b>Resistance to humidity</b>	Yes
<b>Packaging</b>	Roll
<b>Disassembled &amp; Reassembled</b>	Yes 100%, completely disassembled and reassembled
<b>Ecology</b>	100 % recyclable - phtalates free - cadmium free - arsenic free - mercure free. Covering & print are A+ certified

It is recommended to clean with a soft piece of textile and lukewarm water 2 times a year.



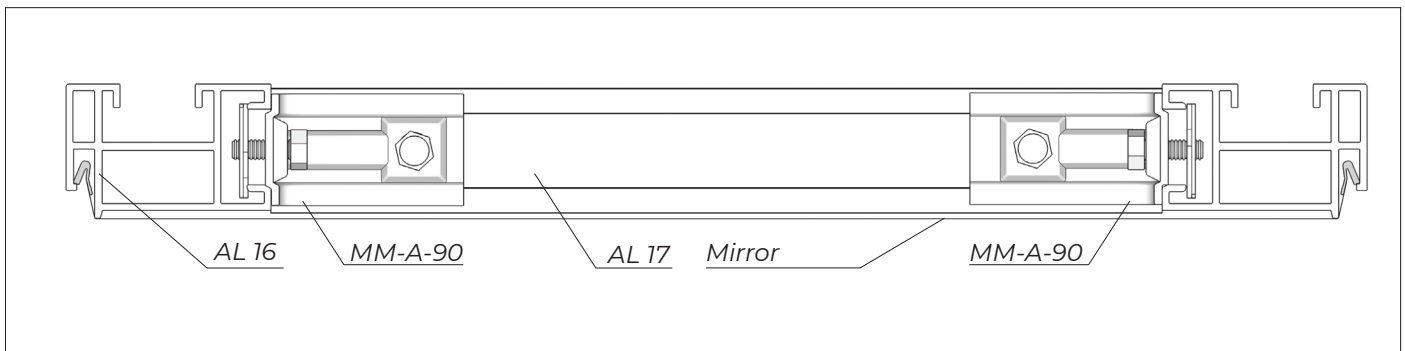
**Commercial Building**  
Estonia / Tallinn  
Installer: Vecta Design

## FRAMES FOR MIRRORED CEILINGS

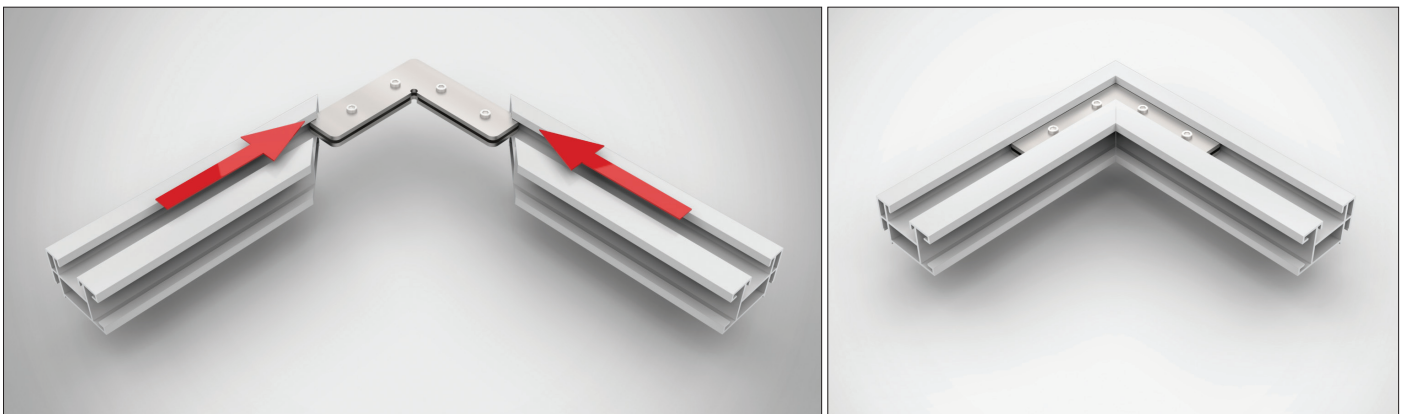


AL 16 AL 16 AL 17 MM-A-90

- Exceptional modular/constructive profile for creating frames in interior design
- This profile is convenient to install and easy to attach with the connection details
- The system enables to have minimum height (33mm) between stretch ceiling and base ceiling



## CORNER CONNECTION USING LC-01



OBJECTS DONE WITH MIRROR FRAMES

