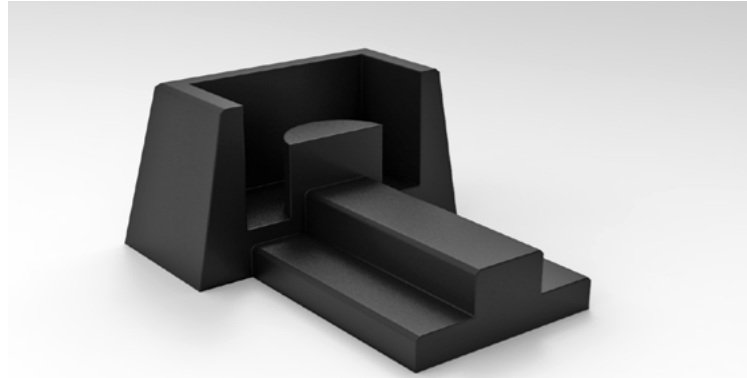
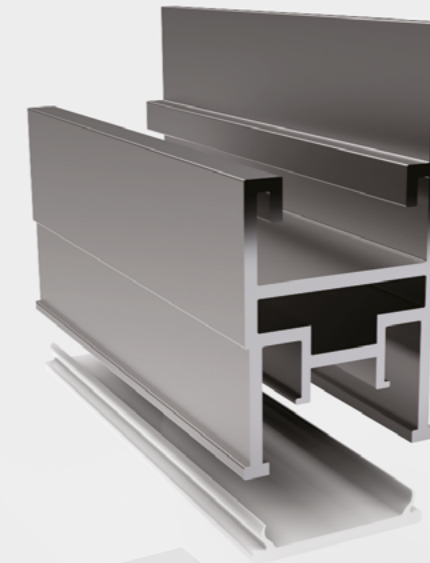
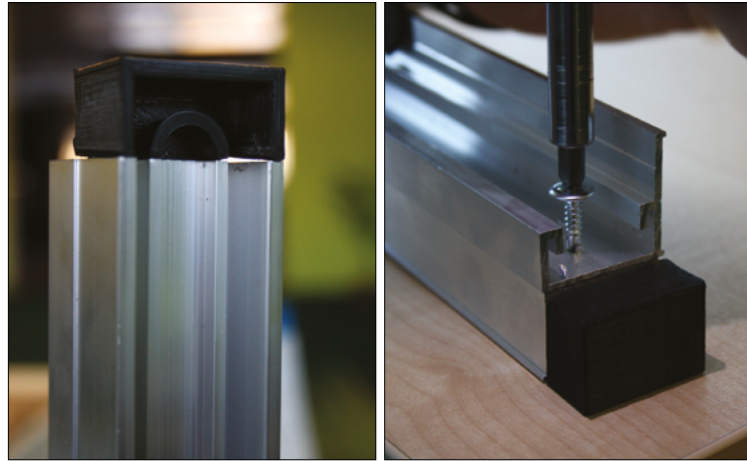


ABILITY TO INSTALL THE PROFILE TO THE BASE CEILING



The Key Light ending CAP-1 enables to have more variations in design. Now with CAP-1 the lighting line can end in the middle of the stretch ceiling enabling to create a modern lighting solution.

Using CAP-1 with AL18 profile: **When making a ceiling drawing with AL18 + CAP-1 in the middle of the ceiling, please take notice that the AL18+CAP-1 must be 4cm shorter on the drawing than the actual profile with CAP-1.** Otherwise, you will have too much harpoon on the actual ceiling. For example, the AL18+CAP-1 is 340cm, then on the drawing, it should be written 236cm. Before installing the ceiling the CAP-1 must be fastened to the profile with a screw. With the CAP-1 the ceiling installation always starts at CAP-1.



AL 18 Key Light

VECTA KEY LIGHT system enables the creation of modern interior designs by using light accents.

THE ADVANTAGES OF AL 18 PROFILE

- The profile makes it easy to create asymmetrical and diagonally intersecting lighting solutions on the ceiling or to the walls
- Sharp and correct light lines that can cover the entire ceiling or end in the middle of the ceiling if the desired light pattern requires it
- Possibility to add an accent with either warm or cold light to the room, and make it dimmable to add convenience

SENSATIONAL OBJECTS DONE WITH THIS PROFILE



Health center Tenerife
Spain / Tenerife
Installer: Alemas

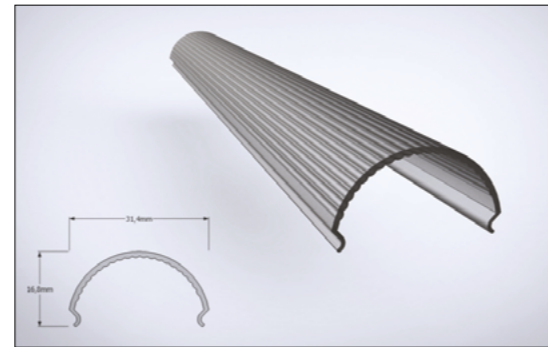
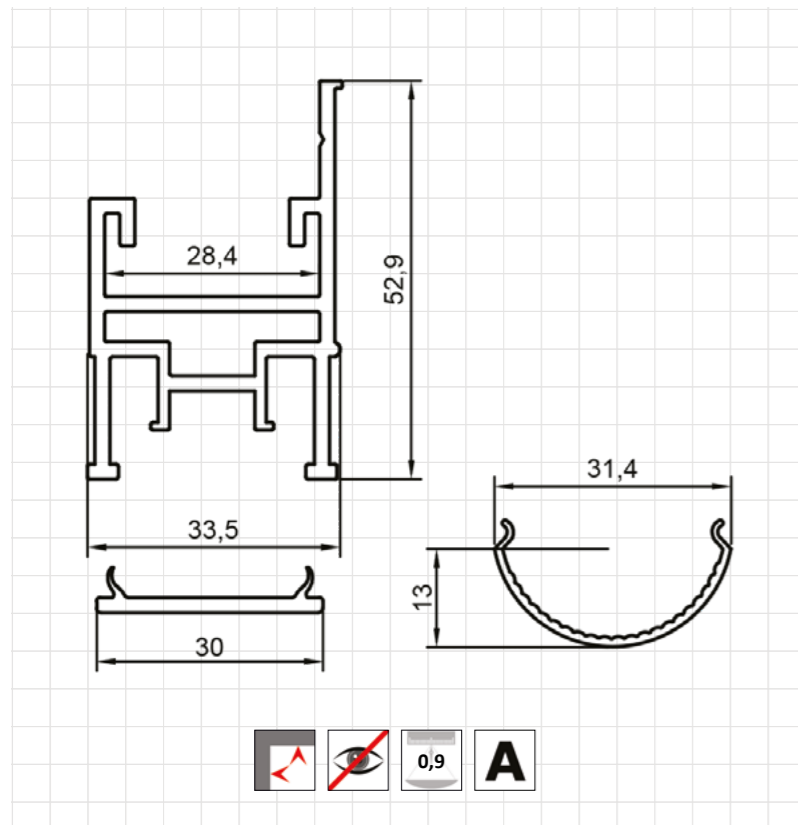


Transferwise office
Estonia / Tallinn
Installer: Vecta Design

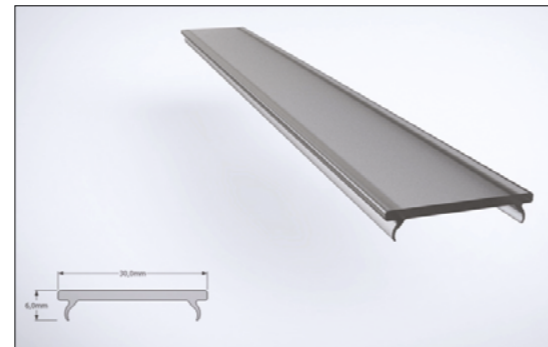


Transferwise office
Estonia / Tallinn
Installer: Vecta Design

PROFILE REAL-SIZE DIMENSIONS

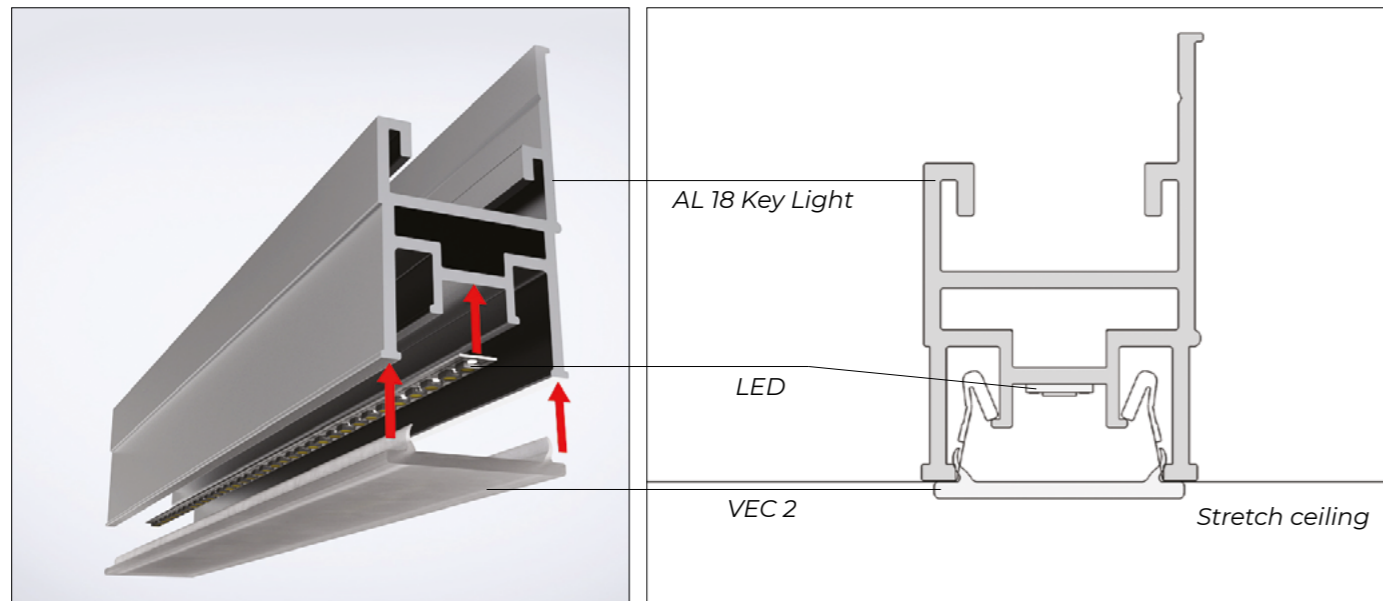


VEC 1 White matt round diffuser for profile AL 18



VEC 2 White matt flat diffuser for AL 18

USING VEC 2 WITH AL 18



DESCRIPTION

VECTA KEY LIGHT system enables the creation of modern interior designs by using light accents. The profile enables creating eye-catching light patterns on the walls as well as on the ceiling. High-quality stretch or gypsum board ceilings featuring fully integrated LED lighting will provide a unique and stylish appearance. Continuous light lines can be achieved with this 30mm wide integrated LED lighting. With specially developed diffusers two levels of illumination are possible, direct and scattered light. VECTA KEY LIGHT can be installed to create geometric patterns on the ceiling surface or to the walls. VECTA KEY LIGHT system features an aluminum profile AL 18, an LED light source and a matt diffusor. CAP-1 for the KEY LIGHT system has been developed by VECTA DESIGN to enable the creation of exciting ceiling designs. With CAP-1, the KEY LIGHT profile can end anywhere in the stretch ceiling. Standard profile length is 2,5m, but as for a special order, it is possible to make up to 5m long profile. Using the profile as a ceiling divisor: Ceilings have to be ordered simultaneously, as there can be tone difference of various film lots. If there will be a time gap between the orders, production might use another roll for the order. Multiple ceilings in the same room must be ordered together.

MOUNTING PROFILE TO THE CEILING USING VECTA SUPPORT SYSTEM



CONNECTING PROFILE BY THE LENGHT USING LC-07

