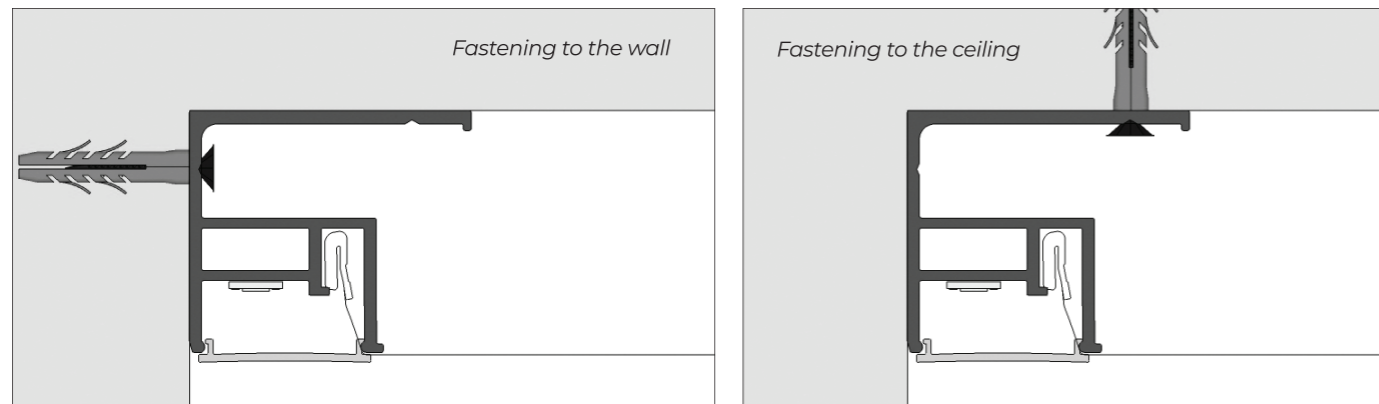
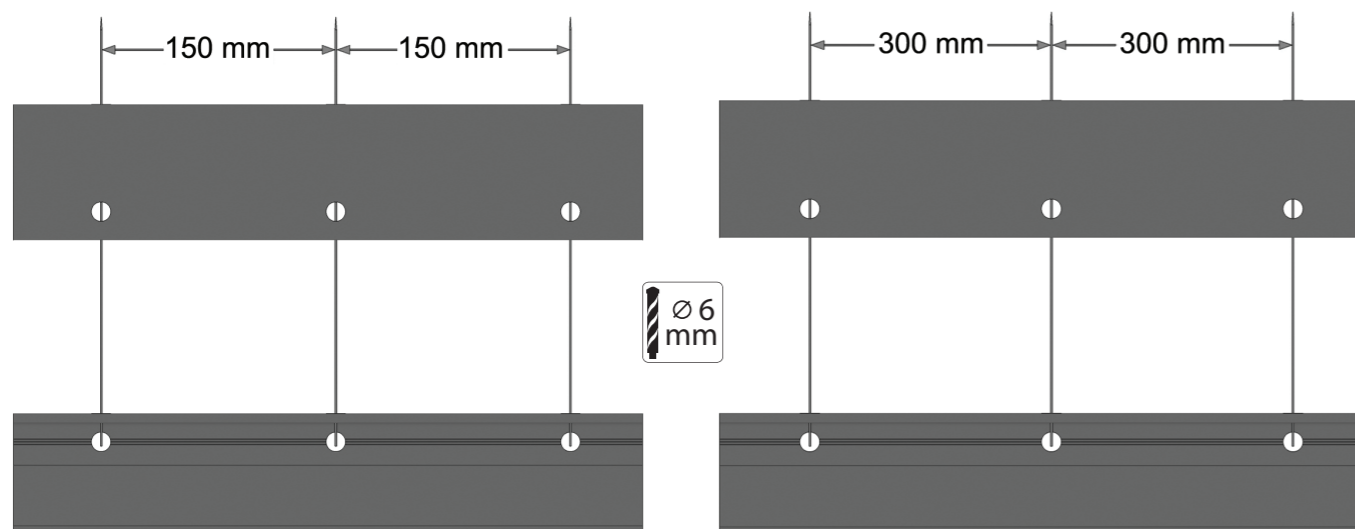


ABILITY TO INSTALL THE PROFILE TO THE BASE CEILING



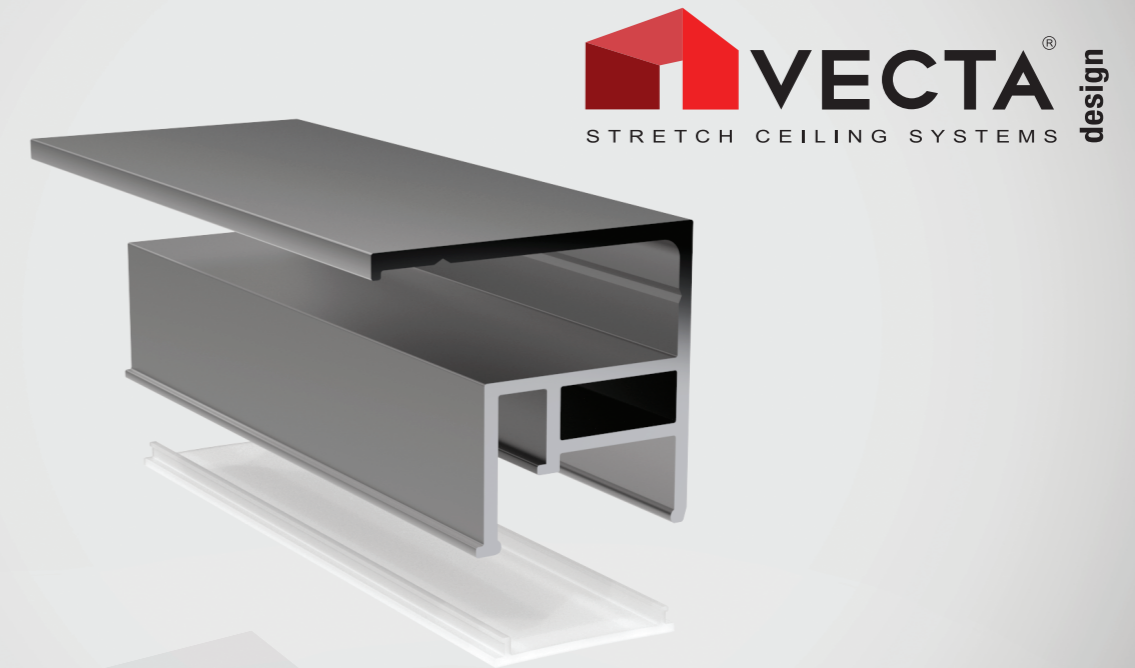
FIXING PROFILE



For gypsum surfaces

For concrete surfaces

Recommended screw fixing centers for the AL-20 profile are 300 mm for concrete surfaces and 150 mm for gypsum boards. Drill size – 6mm diameter.



AL 20 Crown Light

AL 20 Aluminum profile CROWN LIGHT system is used for walls and ceilings for creating cornice lightning around the perimeter of the room.

THE ADVANTAGES OF AL 20 PROFILE

- Functional light profile that can be mounted on the ceiling and on the walls, enabling creating perfectly diffused light lines at any part of the ceiling.
- This profile can be combined with other Vecta profiles (AL 04, AL 05) to create light lines in specific zones of the space
- The profile diffuser evenly distributes the light of the LED spots (LR 57)

SENSATIONAL OBJECTS DONE WITH THIS PROFILE



**Fietsenkelder Beursplein
Amsterdam**
Holland / Amsterdam
Installer: Verwol

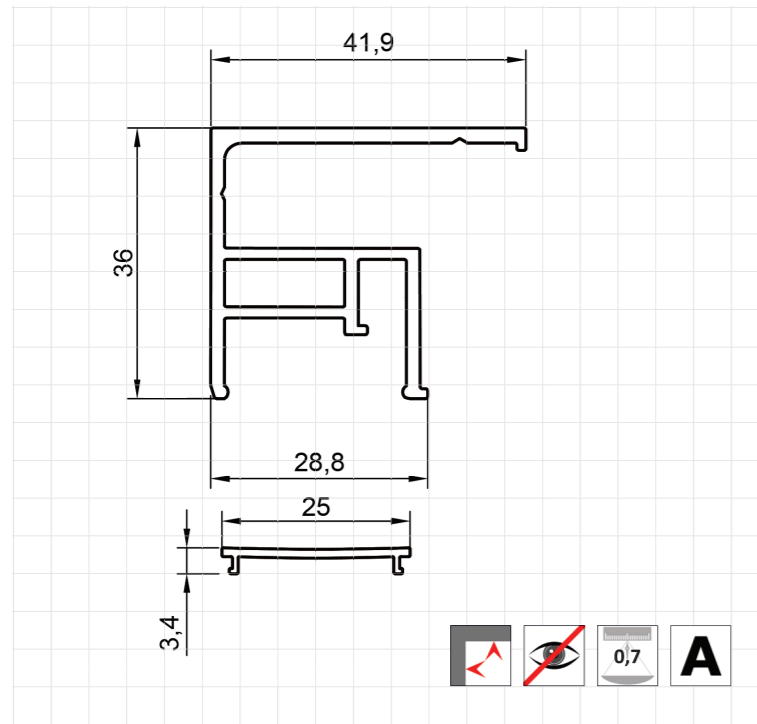


Commercial Pan'è Dolci bakery
USA (Florida) / Miami
Installer: Khrome Concepts Inc.

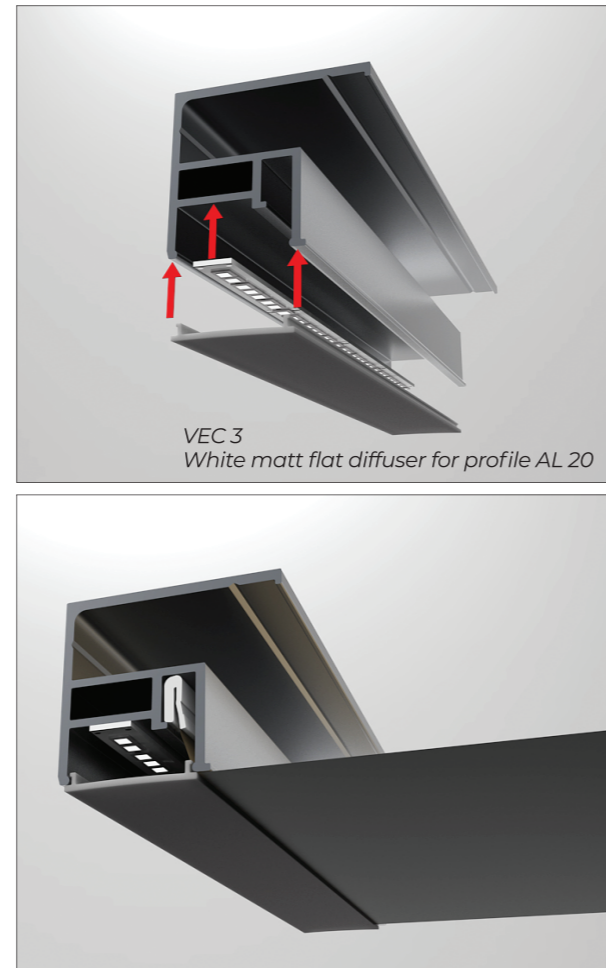


Vecta Design office
Estonia / Pärnu
Installer: Vecta Design

PROFILE REAL-SIZE DIMENSIONS

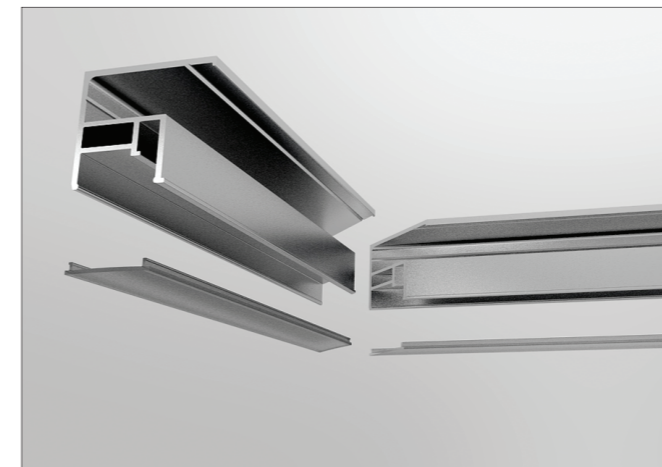


VEC 3 White matt flat diffuser for profile AL 20, is a high quality product, remaining its color and functional stability after years of being in use.



DESCRIPTION

AL 20 aluminum profile CROWN LIGHT system can be fixed on the walls or on the ceilings for creating perfectly straight cornice lighting around the perimeter of the room or any other built in design element. Crown Light System AL20 + LR57 and VEC-03 are sold as a complete system, to create the desired light effects. The most evenly scattered light will appear when using LED lights LR 57. Other LED strip models will be seen on the ceiling as separate bright spots. Standard profile length is 2,5m, but special order can be up to 5m long profile. For creating corners (for example at an angle of 90 degrees) the profile needs to be cut in precise angle in Vecta Design factory.



Creating corners with this profile means that the profile will be cut in precisely 45-degree angle in our production factory.

HOW TO CALCULATE STRETCH CEILING

- Stretch ceiling Vecta (A)
- Profile Crown light (B)

