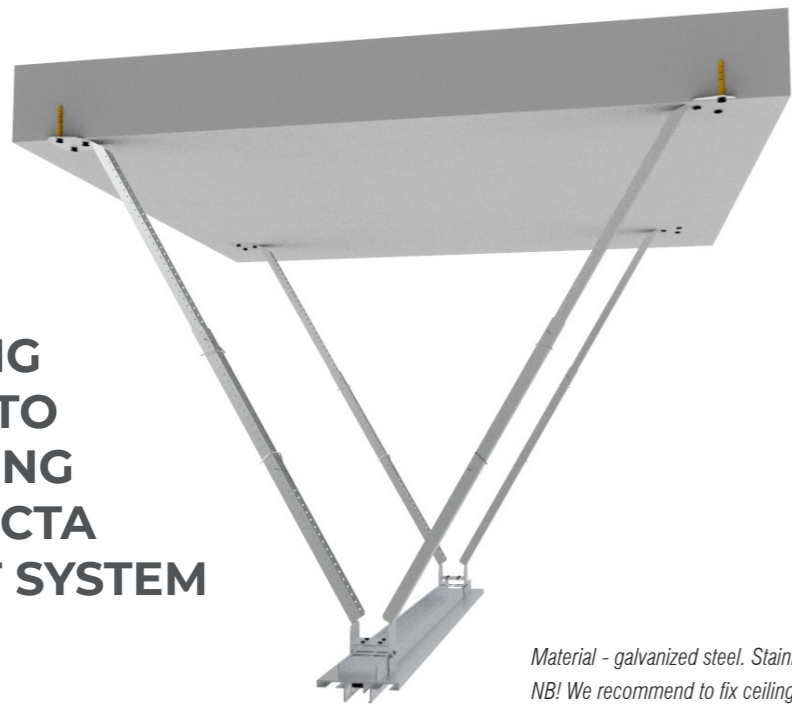
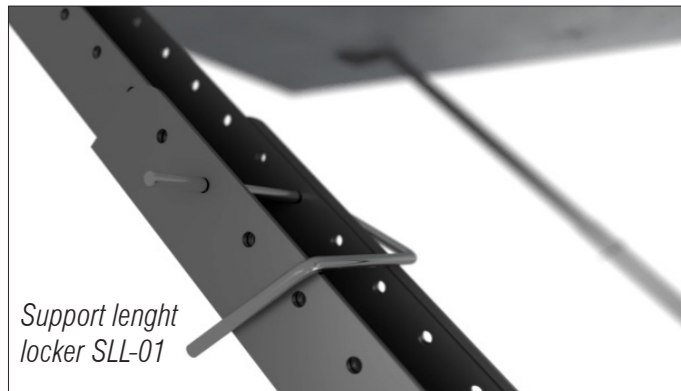
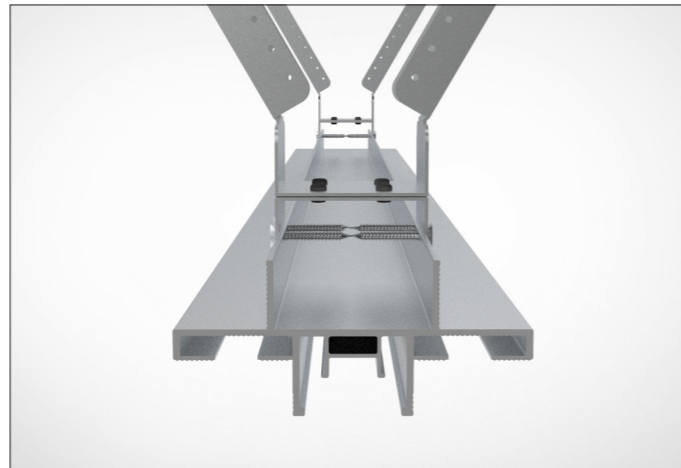
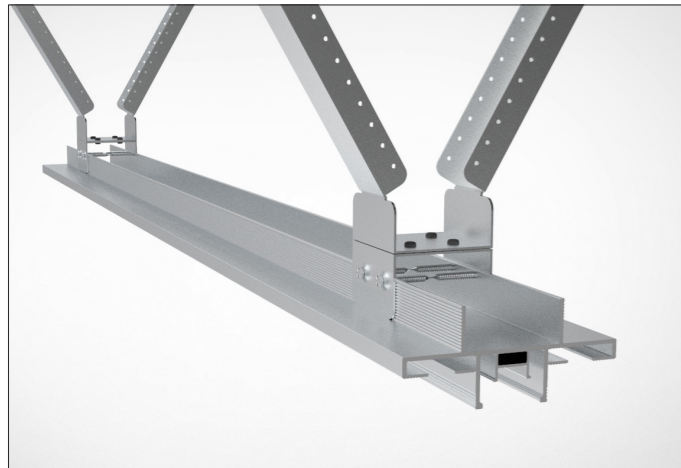


MOUNTING PROFILE TO THE CEILING USING VECTA SUPPORT SYSTEM



Material - galvanized steel. Stainless steel and other dimensions by request.
NB! We recommend to fix ceiling supports every 50-80 cm



Support lenght
locker SLL-01

CS23/10 - for the height 100-200 mm from the base ceiling
CS23/30 - for the height 300-400 mm from the base ceiling
CS23/50 - for the height 500-800 mm from the base ceiling

Developed by Vecta Design - new AL 23 Combi ending CAP-2 enables to have more variations in design. With CAP-2 the lighting lines can end in the middle of the stretch ceiling or gypsum board enabling to create modern lighting solutions. Using CAP-2 with AL23 profile: When making a ceiling drawing with AL23 + CAP-2 in the middle of the ceiling, please take notice that the AL23+CAP-2 must be 4 cm shorter on the drawing than the actual profile with CAP-2. Otherwise, you will have too much harpoon on the actual ceiling. For example, the AL23+CAP-2 is 340cm, then on the drawing, it should be written 236 cm. Before installing the ceiling the CAP-2 must be fastened to the profile with a screw. With the CAP-2 the ceiling installation always starts at CAP-2.

Feel free to contact in case any questions: info@vectadesign.com | phone: +372 44 23 023 | fax: +372 43 70 339



AL 23 Combi Light

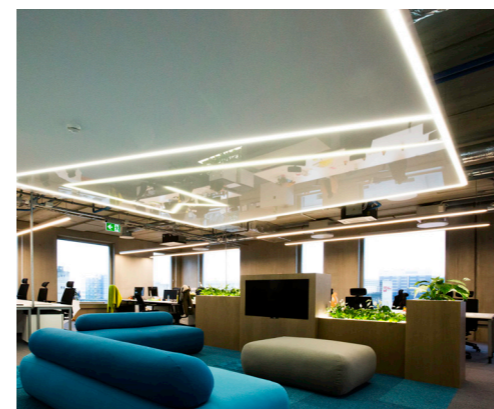
AL 23 Combi Light - aluminum ceiling and wall profile for plasterboard and stretch ceilings 40x91 mm.

THE ADVANTAGES OF AL 23 PROFILE

Our specific profile solution AL 23 COMBI will give you the opportunity to:

- integrate additional or main light source in the ceiling,
- divide the ceiling into separate parts,
- combine stretch ceiling with gypsum ceiling.

SENSATIONAL OBJECTS DONE WITH THIS PROFILE



Transferwise office
Estonia / Tallinn
Installer: Vecta Design



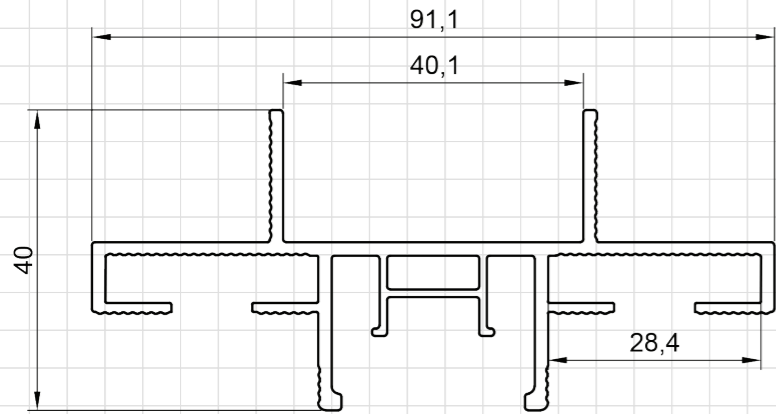
Porcelanosa office
Spain / Sant Joan d'Alacant
Installer: Vecta Design Spain



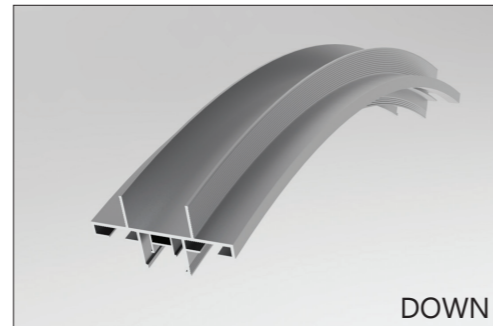
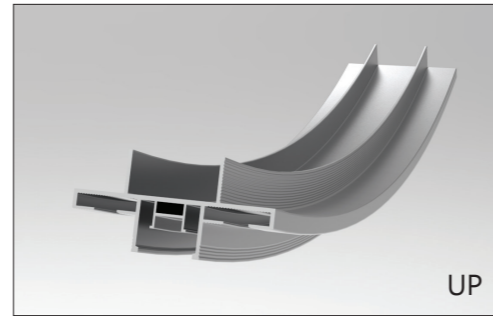
Kalev Spa Hotel & Water Park
Estonia / Tallinn
Installer: Vecta Design

Feel free to contact in case any questions: info@vectadesign.com | phone: +372 44 23 023 | fax: +372 43 70 339

PROFILE REAL-SIZE DIMENSIONS



ABILITY TO BEND PROFILE

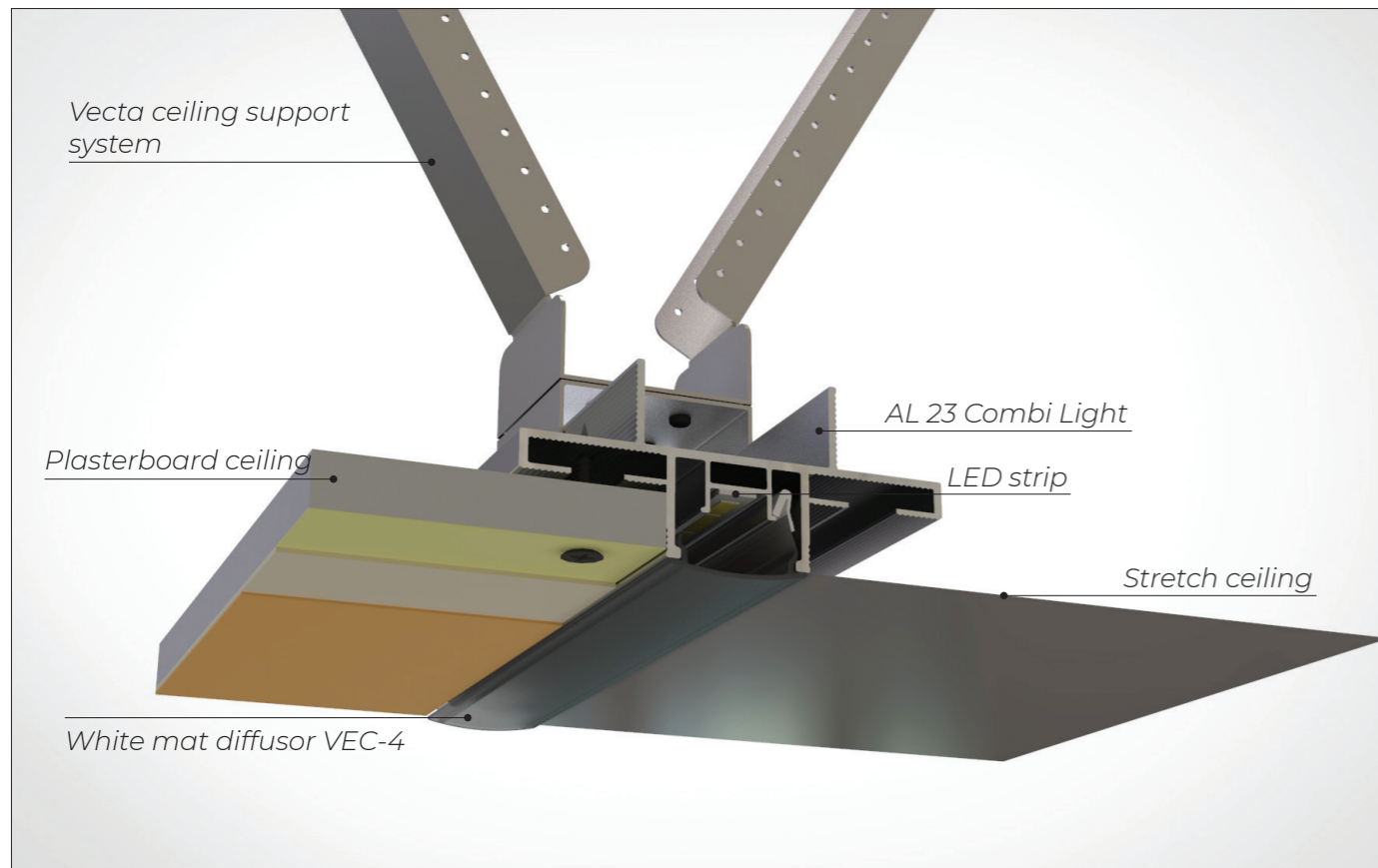


DESCRIPTION

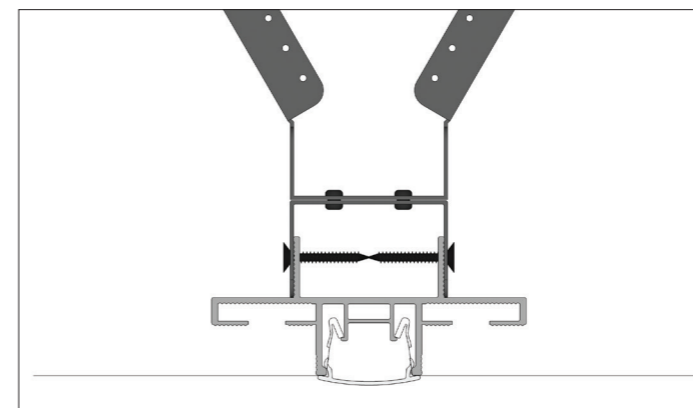
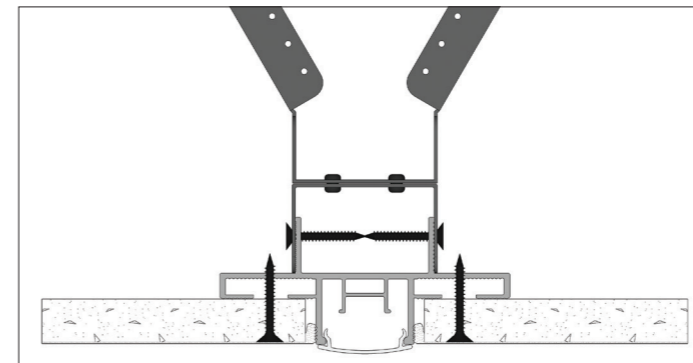
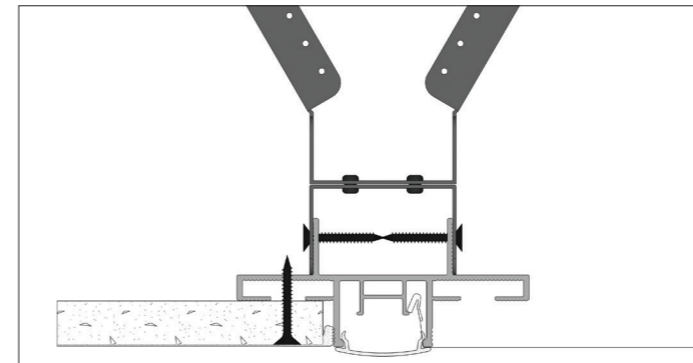
AL 23 COMBI LIGHT was developed to enable integration of the KEY LIGHT system into gypsum board ceilings. The COMBI LIGHT profile is multifunctional, as it can be used to combine gypsum board and stretch ceiling material in one room. For all installations, the COMBI LIGHT system enables the creation of interior design accents with continuous light lines from the 30mm wide LED strips. Alternative LED strips are available to provide cold or neutral light (LR-39 or LR-40) and the installation is completed by the VEC-4 diffuser. Standard profile length 2,5m, special order 5m long profile. The profile is comfortable and easy to install when using Vecta special support system and the result is durable and stable.

When used with gypsum board, then the gypsum board should be 12mm or 12,5mm thick, then you can hide screws with gypsum putty and add paint coating on the gypsum surface. Using the profile as a ceiling divisor: Ceilings have to be ordered simultaneously, as there can be tone difference of various film lots. If there will be a time gap between the orders, production might use another roll for the order. Multiple ceilings in the same room must be ordered together.

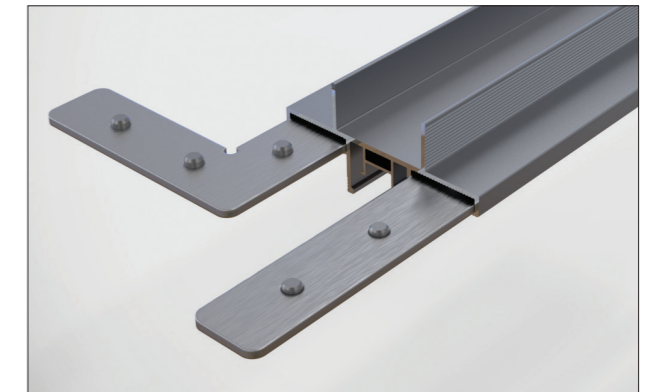
USING AL 23 WITH SUPPORTS



ABILITY TO USE PROFILE



CONNECTING PROFILES



200 mm from the base

